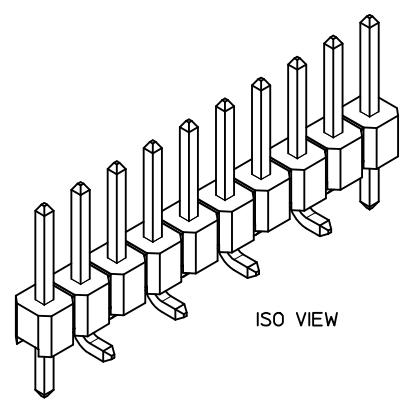


NOTES

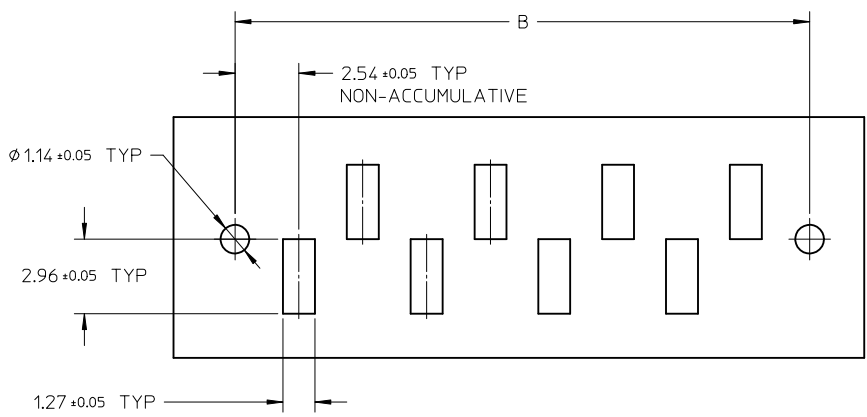
1. MATERIAL:
HSG: NYLON, GLASS-FILLED, UL94V-0 COLOR: BLACK
PIN: 0.64MM SQ, COPPER ALLOY
2. PLATING TYPE:
(1) GOLD FLASH OVER 1.25µm MIN. NICKEL OVERALL.
(2) GOLD FLASH ON CONTACT AND 2.50µm MIN. TIN ON SOLDER TAIL OVER 1.25µm MIN. NICKEL OVERALL.
(3) 0.38µm MIN. GOLD PLATE ON CONTACT AND 2.50µm MIN. TIN ON SOLDER TAIL OVER 1.25µm MIN. NICKEL OVERALL.
(4) 0.75µm MIN. GOLD PLATE ON CONTACT AND 2.50µm MIN. TIN ON SOLDER TAIL OVER 1.25µm MIN. NICKEL OVERALL.
(5) 2.50µm MIN TIN OVERALL 1.25µm NICKEL OVERALL
3. PRODUCT SPECIFICATION: PS-87920-019
4. PACKAGING TYPE: SEE TABLE
5. PACKAGING SPECIFICATION : PK-89990-514
6. WAFER TO BE FLAT WITHIN 0.003 mm/mm
7. RECOMMENDED PCB THICKNESS IS 1.60mm±0.10
8. IRREGULAR CIRCUIT CUTOFF WITHIN BREAKAWAY SECTION IS PERMISSIBLE. CUTTING OR CHIPPING OF THE MAIN BODY IS NOT ACCEPTABLE.
9. COPLANARITY IS TO BE MEASURED BY RESTING THE SOLDER TAIL ON A FLAT SURFACE.
10. THE ABOVE CKT 10 IS FOR ILLUSTRATION PURPOSE ONLY



ISO VIEW

NEW RELEASE EC NO: S2010-0938 DRWN: ATSEE CH'KD: SKANG APPR: MLONG	2010/05/14 2010/06/21 2010/06/21	QUALITY SYMBOLS $F_A=0$ $F_C=0$ $F_B=0$	GENERAL TOLERANCES (UNLESS SPECIFIED)		DIMENSION STYLE MM ONLY		SCALE NTS	DESIGN UNITS METRIC	THIRD ANGLE PROJECTION															
			<table border="1"> <tr> <th></th> <th>mm</th> <th>INCH</th> </tr> <tr> <td>4 PLACES</td> <td>± ---</td> <td>± ---</td> </tr> <tr> <td>3 PLACES</td> <td>± ---</td> <td>± ---</td> </tr> <tr> <td>2 PLACES</td> <td>± 0.20</td> <td>± ---</td> </tr> <tr> <td>1 PLACE</td> <td>± ---</td> <td>± ---</td> </tr> </table>		mm	INCH	4 PLACES	± ---	± ---	3 PLACES	± ---	± ---	2 PLACES	± 0.20	± ---	1 PLACE	± ---	± ---	DRAWN BY ATSEE	DATE 2010/05/14	TITLE CUSTOM HEADER 2.54MM PITCH S/ ROW S/ WAF SMT WITH T/ HOLE			
			mm	INCH																				
	4 PLACES		± ---	± ---																				
3 PLACES	± ---	± ---																						
2 PLACES	± 0.20	± ---																						
1 PLACE	± ---	± ---																						
	ANGULAR ± 3°	CHECKED BY SKANG	DATE 2010/06/21	MOLEX INCORPORATED																				
	DRAFT WHERE APPLICABLE MUST REMAIN WITHIN DIMENSIONS	APPROVED BY MLONG	DATE 2010/06/21	MATERIAL NO. SEE TABLE	DOCUMENT NO. SD-87898-505	SHEET NO. 1 OF 2																		

PACKAGING OPTION PART NO.			CKT SIZE	VOID POSITION	PLATING TYPE	DIMENSIONS			
TRAY	BULK	TUBE WITHOUT CAP				A	B	F	M
87898-0581	-----	-----	5	-----	4	12.70	10.16	24.18	20.25
-----	-----	87898-0881	8	-----	4	20.32	17.78	21.84	17.91



RECOMMENDED PCB LAYOUT

NEW RELEASE EC NO: S2010-0938 DRWN: ATSEE 2010/05/14 CHKD: SKANG 2010/06/21 APPR: MLONG 2010/06/21	DESCRIPTION REV	QUALITY SYMBOLS	GENERAL TOLERANCES (UNLESS SPECIFIED)	DIMENSION STYLE	SCALE	DESIGN UNITS	THIRD ANGLE PROJECTION	
				MM ONLY	NTS	METRIC		
		$\nabla = 0$ $\nabla = 0$ $\nabla = 0$	4 PLACES ± --- ± --- 3 PLACES ± --- ± --- 2 PLACES ± 0.20 ± --- 1 PLACE ± --- ± --- ANGULAR ± 3 °	DRAWN BY: ATSEE DATE: 2010/05/14 CHECKED BY: SKANG DATE: 2010/06/21 APPROVED BY: MLONG DATE: 2010/06/21	TITLE: CUSTOM HEADER 2.54MM PITCH S/ ROW S/ WAF SMT WITH T/ HOLE			
			DRAFT WHERE APPLICABLE MUST REMAIN WITHIN DIMENSIONS	SEE TABLE	MOLEX INCORPORATED SD-87898-505		SHEET NO. 2 OF 2	
				SIZE: A3 THIS DRAWING CONTAINS INFORMATION THAT IS PROPRIETARY TO MOLEX INCORPORATED AND SHOULD NOT BE USED WITHOUT WRITTEN PERMISSION				

Mouser Electronics

Authorized Distributor

Click to View Pricing, Inventory, Delivery & Lifecycle Information:

[Molex:](#)

[87898-0581](#)