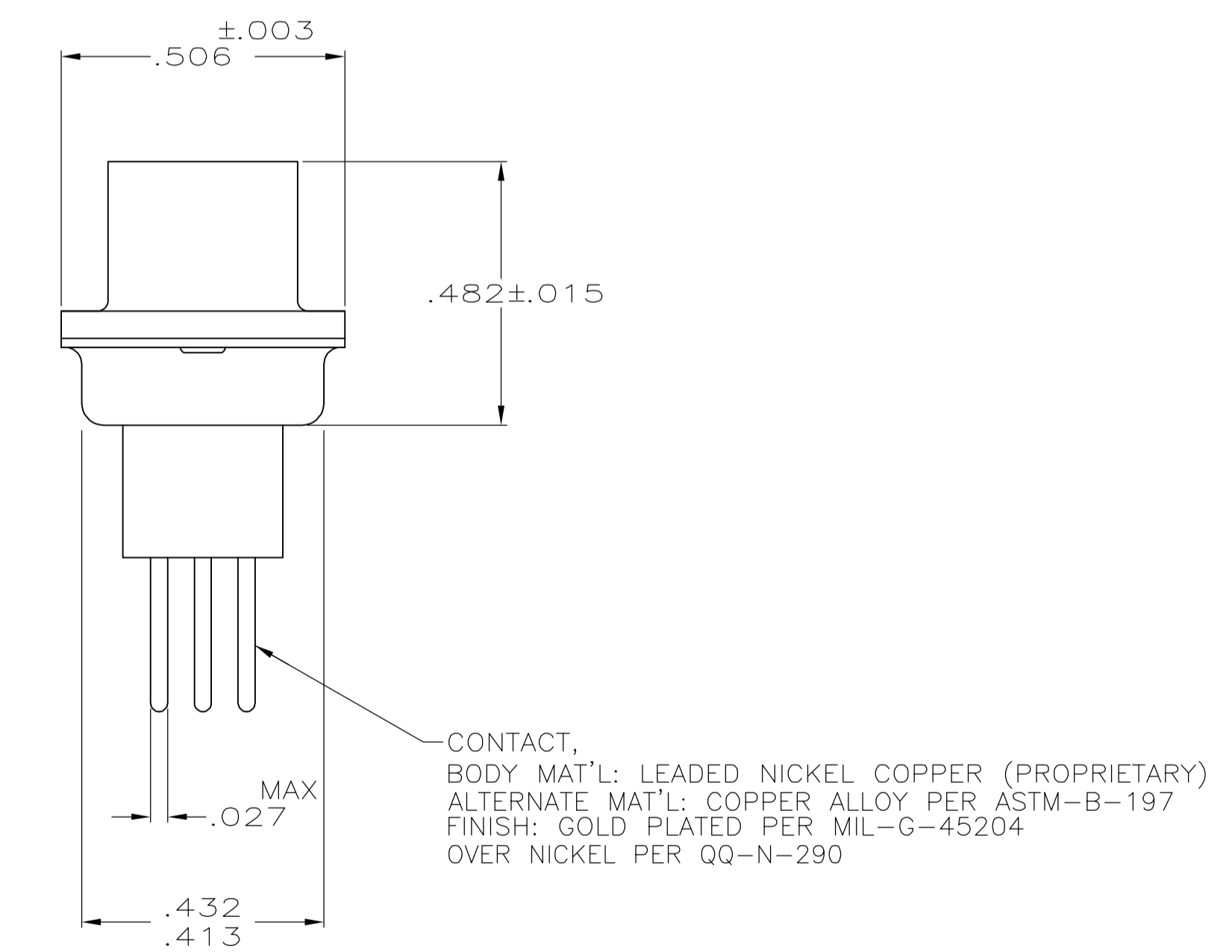
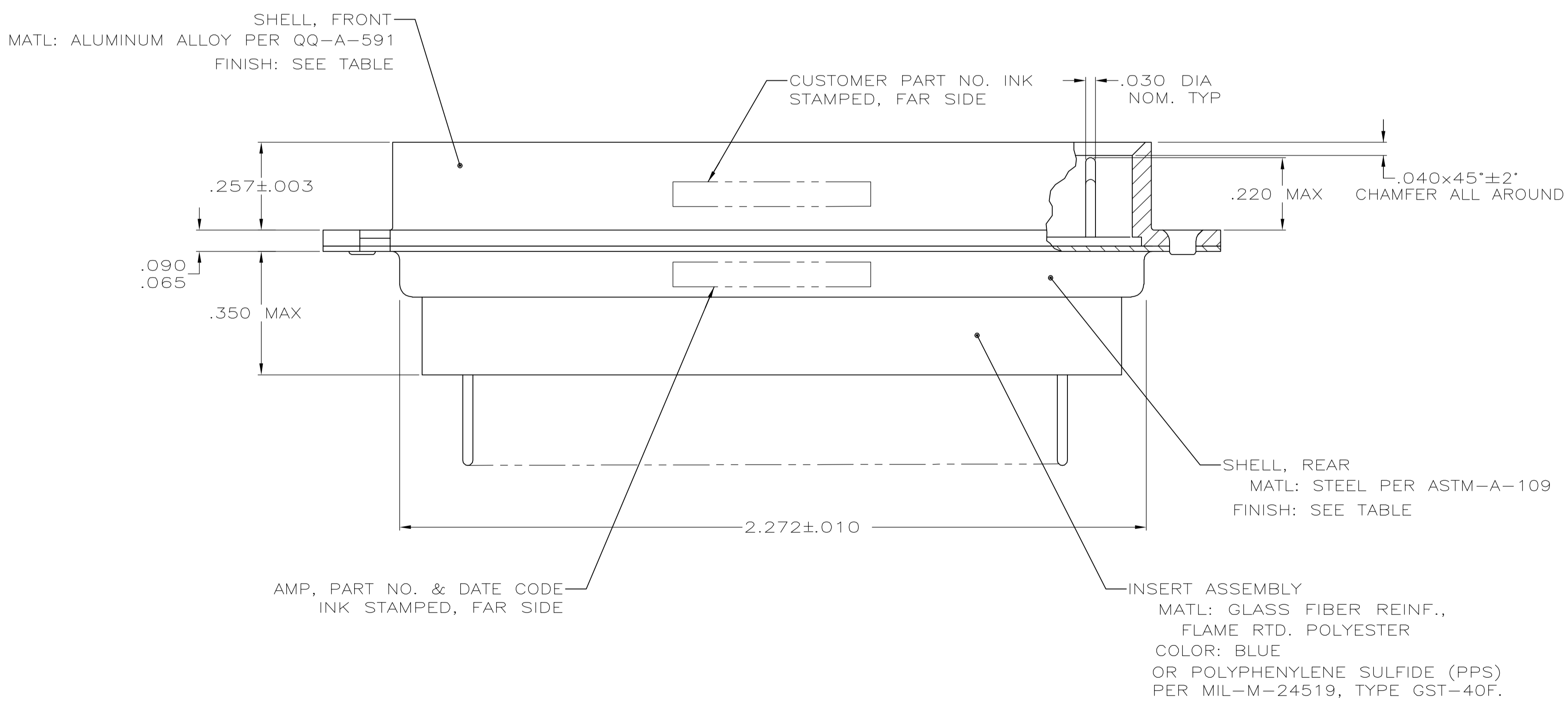
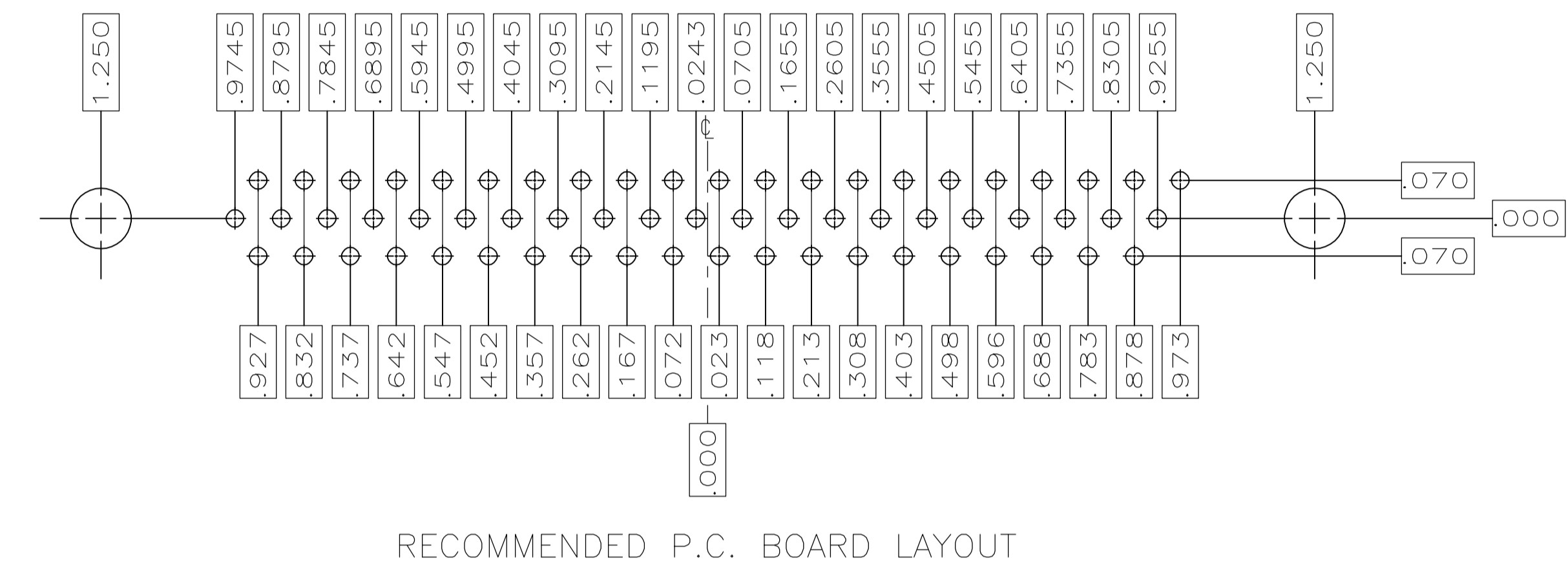
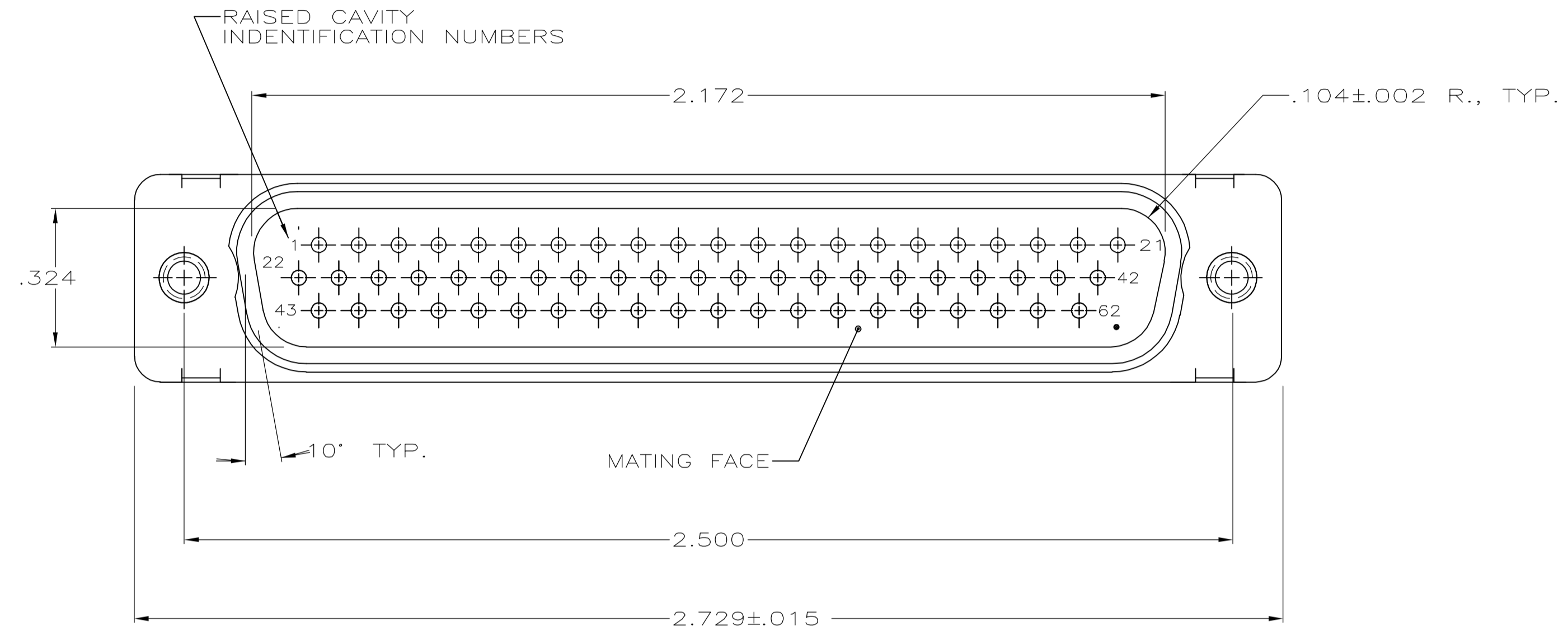


1. THIS PLUG WILL MATE WITH ANY 62 POSN., SIZE 4 RECEPTACLE IN AMPLIMITE SERIES.
2. STAINLESS STEEL RETENTION CLIPS ARE INCLUDED IN INSERT ASSEMBLY.
3. THIS CONNECTOR ACCEPTS SIZE 22 PIN CONTACTS.
4. FINISH: CADMIUM PER QQ-P-416; YELLOW CHROMATE.
5. FINISH: ZINC PLATED PER ASTM-B-633 .000200 MIN THK WITH SUPPLEMENTARY CHROMATE (Cr3+).



5	5-445089-1
4	445089-1
FINISH	PART NO.

THIS DRAWING IS A CONTROLLED DOCUMENT.		DWN: S. GLATFELTER 12-7-87		AMP Tyco Electronics Corporation Harrisburg, PA 17105-3608	
DIMENSIONS: INCHES		TOLERANCES UNLESS OTHERWISE SPECIFIED:		NAME: F. C. BALLEW 12-11-87	
0 PL	± .005	1 PL	± .005	PRODUCT SPEC	
1 PL	± .005	2 PL	± .005	APPLICATION SPEC	
2 PL	± .005	3 PL	± .005	SIZE: A1	
3 PL	± .005	4 PL	± .005	CAGE CODE: 00779	
4 PL	± .005	ANGLES	± 0.30°	DRAWING NO: 445089	
MATERIAL: SEE CALLOUTS		FINISH: -		WEIGHT: -	
				CUSTOMER DRAWING	
				SCALE: 4:1	
				SHEET 1 OF 1	
				REV E	

Mouser Electronics

Authorized Distributor

Click to View Pricing, Inventory, Delivery & Lifecycle Information:

[TE Connectivity:](#)

[413249-1](#) [445089-1](#)