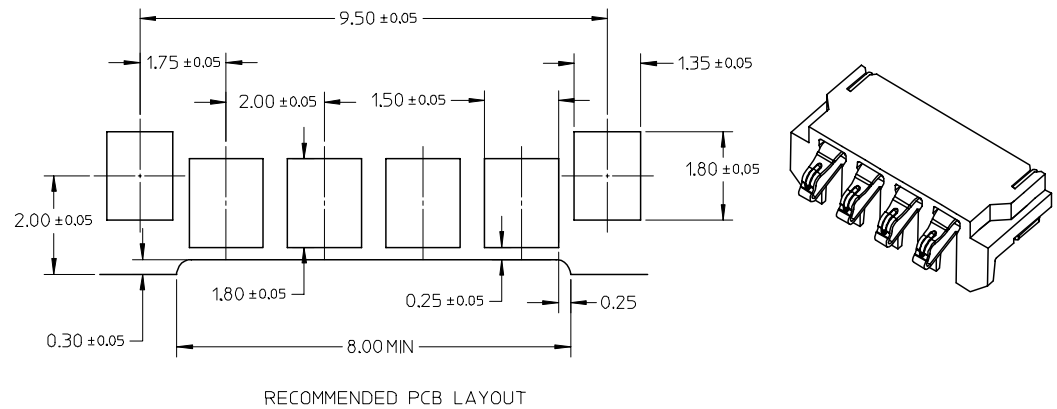
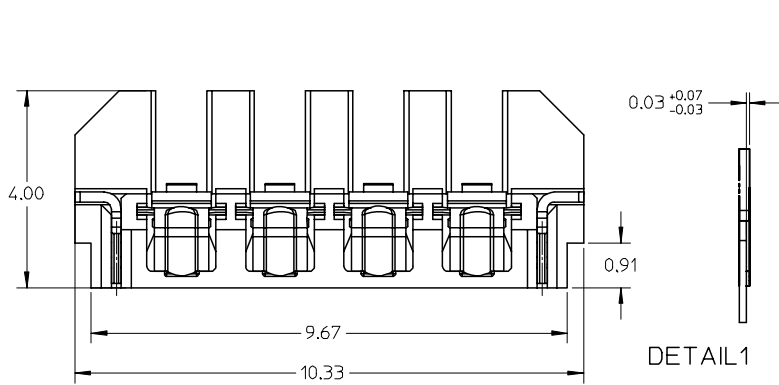


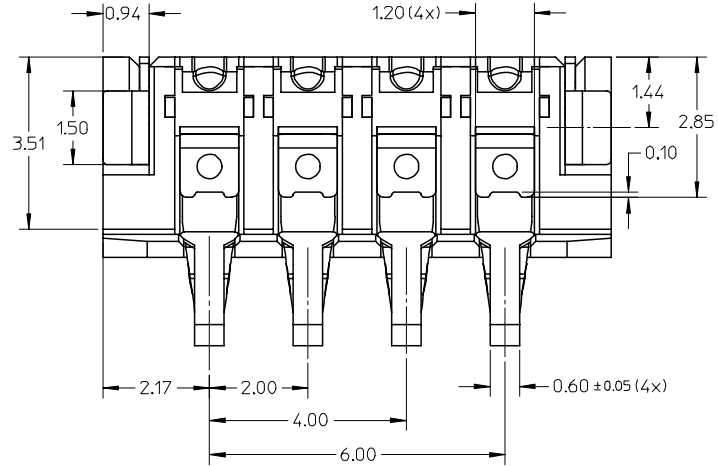
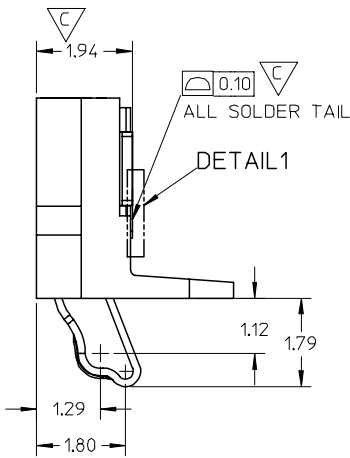
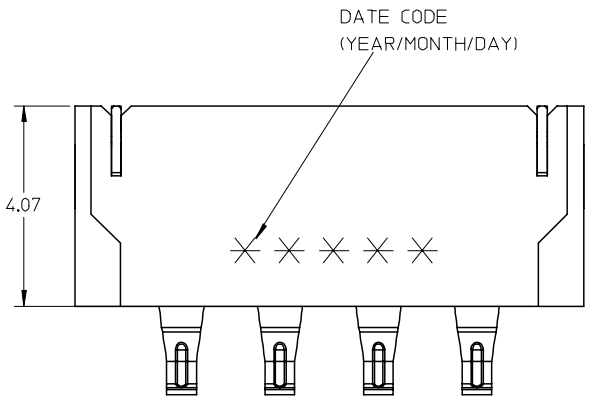
10 9 8 7 6 5 4 3 2 1

F

E



D



B

- NOTES:
- MATERIAL:
TERMINAL : BERYLLIUMCOPPER C17200 190/290 (TM06)
HOUSING : HIGH TEMPERATURE THERMAL PLASTIC
FITTING NAIL: BRASS C2680
 - FINISH:
TERMINAL: 50~150μ NICKEL UNDER PLATED
30μ Min GOLD PLATING ON CONTACT AREA
3μ Min GOLD FLASH ON SOLDERING AREA
FITTING NAIL: 100μ Min TIN ALLOY OVER 50μ Min NICKEL OVERALL
 - PRODUCT SPECIFICATION: PS-47480-001
 - PACKAGING INFORMATION: PK-47480-001

A

RELEASED EC NO: SH2008-0204 DRWN: WANG91 CHKD: YLZHU APPR: HWANG	2007/10/24 2007/10/24 2007/11/02	DESCRIPTION REV	QUALITY SYMBOLS	GENERAL TOLERANCES (UNLESS SPECIFIED)	DIMENSION STYLE	SCALE	DESIGN UNITS	THIRD ANGLE PROJECTION
			▼=0 ▽=2	mm INCH 4 PLACES ± --- ± --- 3 PLACES ± --- ± --- 2 PLACES ± 0.13 ± --- 1 PLACE ± --- ± --- ANGULAR ± 1 °	MM ONLY	10:1	METRIC	TITLED 4 PIN BATTERY CONNECTOR 2.0MM PITCH
			DRAFT WHERE APPLICABLE MUST REMAIN WITHIN DIMENSIONS	DRAWN BY DATE YWANG 2006/04/05 CHECKED BY DATE XIXU 2006/04/06 APPROVED BY DATE JNCHEN 2006/04/07	MATERIAL NO. 474800001	DOCUMENT NO. SD-47480-001	SHEET NO. 1 OF 1	
			THIS DRAWING CONTAINS INFORMATION THAT IS PROPRIETARY TO MOLEX INCORPORATED AND SHOULD NOT BE USED WITHOUT WRITTEN PERMISSION					

9 8 7 6 5 4 3 2 1