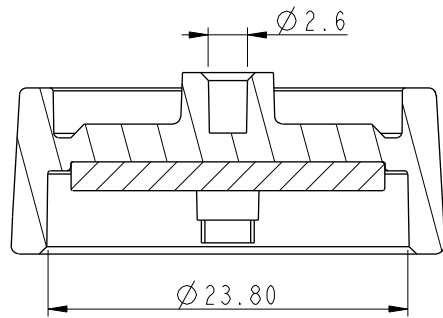
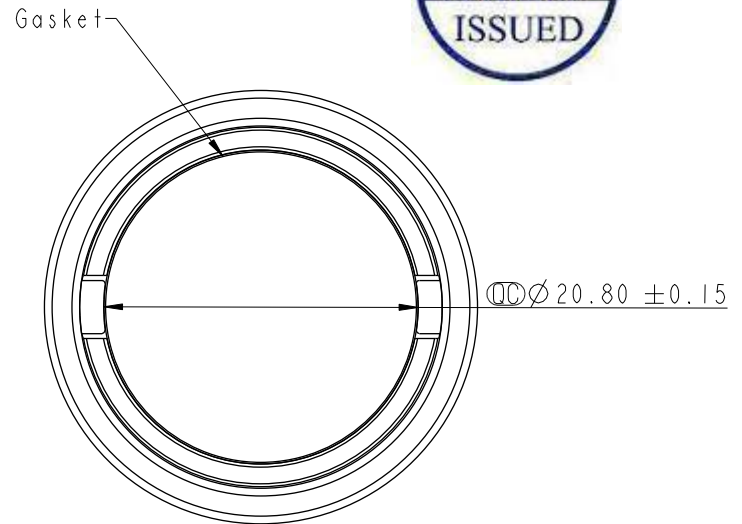
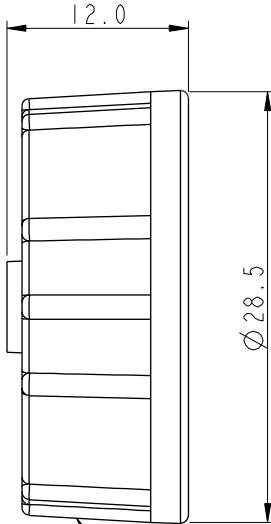
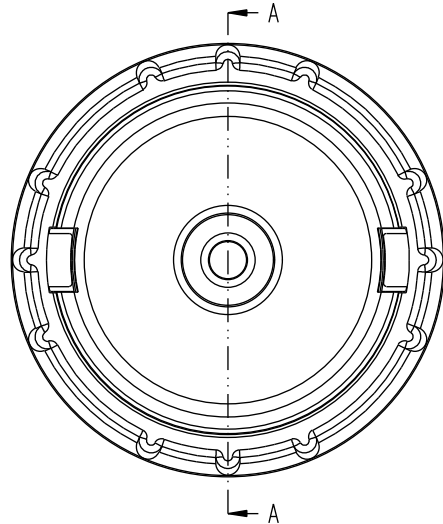


REV.	ECN NO.	DATE	SIGN	DESCRIPTION

ALTW  
CONFIDENTIAL  
2013-02-22  
R&D DEPT.

ALTW  
DCC. DEPT.  
CONFIDENTIAL  
2013.02.25  
ISSUED



Section A-A

1 Waterproof Cap

- Note:
- \*  $\varnothing$  Important Dimension To Check.
  - \* Waterproof Rate: IP67.
  - \* Cap: Nylon+GF, Black.
  - \* Gasket: EPDM, Black.

UNIT: mm		
TOLERANCE	.X ±0.25	
	.XX ±0.1	
	.XXX ±0.05	
ANGLES	±1°	

TITLE Waterproof Cap For Male Conn. D Size Lock Type			
SCALE 2:1	SIZE A4	SHEET 1 OF 1	
REV. A	WC-REV. A.3	$\varnothing$ : Inspection item	

**Amphenol LTW**  
安費諾亮泰企業股份有限公司

ITEM NO. CAP-WADMLMAI	DRAWN BY Vicky	DATE 2013-02-22
DWG NO. CAP-WADMLMAI	CHECKED BY Kevin	DATE 2013-02-22
CUSTOMER ALTW	APPROVED BY Maslow	DATE 2013-02-22

THIS DOCUMENT IS SUBJECT TO CHANGE WITHOUT NOTICE. IT IS CONFIDENTIAL AND A PROPERTY OF AMPHENOL LTW. DISCLOSURE TO THIRD PARTY HAS TO BE AUTHORIZED BY AMPHENOL LTW.