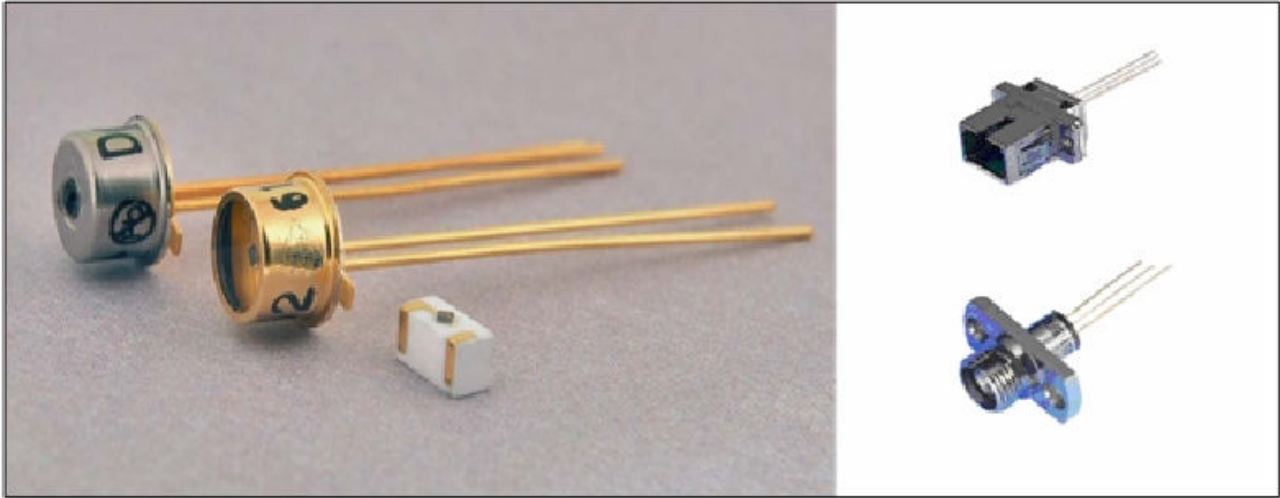


High Speed InGaAs PIN Photodiodes

C30616, C30637, C30617, C30618 Series



Overview

This series of high speed InGaAs photodiodes is designed for use in OEM fiber-optic communications systems and high-speed receiver applications including trunk line, LAN, fiber-in-the-loop and data communications. Ceramic sub-mount packages are available for easy integration into high speed SONET, FDDI, data link receiver modules, or as back facet power monitors in laser diode modules.

Available in hermetic TO-18 packages, or in connectorized receptacle packages with industry standard FC or SC connectors, these photodiodes are designed to function with either single or multimode fibers. Receptacle packages use a ball-lens TO-18 package to maximize coupling efficiency. All devices are planar passivated and feature

proven, high reliability mounting and contacting.

Recognizing that different applications have different performance requirements, Excelitas offers a wide range of customization of these photodiodes to meet your design challenges.

Responsivity and noise screening, custom device testing and packaging are among many of the application specific solutions available

Features and Benefits

- Available in various packages
- 50, 75, 100, 350 μm diameters
- High responsivity at 1300 and 1550 nm
- Low capacitance for high bandwidths (to 3.5 GHz)
- RoHS Compliant

Applications

- Telecommunications
- Instrumentation
- Data transmission
- High speed switching
- Data links and LANs

Table of Contents

Table 1. Mechanical and Optical Characteristics	3
Table 2. Typical Electrical Characteristics at $T_A = 22\text{ }^\circ\text{C}$, @ $V_R=V_{op}$ typical	3
Table 3. Ordering Guide	4
RoHS Compliance	8
Warranty	8
“Your Partner of Choice”	9
Excelitas	9

Table 1. Mechanical and Optical Characteristics

	C30616	C30637	C30617	C30618	Unit
Shape	Circular	Circular	Circular	Circular	
Useful Area	0.002	0.004	0.008	0.096	mm ²
Useful Diameter	50	75	100	350	µm
Package Types ¹	Rectangular ceramic	Rectangular ceramic	TO-18 Ball Lens, Rectangular ceramic, FC, SC receptacle	TO-18, Rectangular ceramic, FC receptacle	
Window Type			Ball Lens Glass	Flat Glass	

1. See Figures 5-10 for package dimension details.

Table 2. Typical Electrical Characteristics at T_A = 22 °C, @ V_R=V_{op} typical

Parameter	C30616			C30637			Units
	Min	Typ	Max	Min	Typ	Max	
Operating voltage (V _{op})	1	5	10	1	5	10	V
Breakdown voltage	25	100	-	25	100	-	V
Responsivity @ 1300 nm TO-18, ceramic FC/ST/SC receptacle	0.80 -	0.90 -	- -	0.80 -	0.90 -	- -	A/W
Responsivity @ 1550 nm TO-18, ceramic FC/ST/SC receptacle	0.85 -	0.95 -	- -	0.85 -	0.95 -	- -	A/W
Dark Current	-	<1.0	2.0	-	<1.0	2.0	nA
Spectral Noise current (10KHz, 1.0 Hz)	-	<0.02	0.15	-	<0.02	0.15	pA/√Hz
Capacitance @ V _R =V _{OP} Ceramic TO-18	- -	0.35 -	0.55 -	- -	0.40 -	0.60 -	pF
Rise/Fall time (10%-90%)	-	0.07	0.5	-	0.07	0.5	ns
Bandwidth (-3dB, R _L =50Ω)	-	3.5	-	-	3.5	-	GHz
Maximum Forward Current	-	-	10	-	-	10	mA
Power Dissipation	-	-	100	-	-	100	mW
Storage Temperature	-60		125	-60		125	°C
Operating Temperature	-40		125	-40		125	°C

Parameter	C30617			C30618			Units
	Min	Typ	Max	Min	Typ	Max	
Operating voltage	1	5	10	1	5	10	V
Breakdown voltage	25	100	-	25	80	-	V
Responsivity @ 1300 nm TO-18, ceramic FC/ST/SC receptacle ²	0.80 0.65	0.90 0.75	- -	0.80 0.65	0.90 0.75	- -	A/W
Responsivity @ 1550nm TO-18, ceramic FC/ST/SC receptacle ²	0.85 0.70	0.95 0.80	- -	0.85 0.70	0.95 0.80	- -	A/W
Dark Current Ceramic package TO-18 package	- -	<1.0 -	2.0 4.0	- -	1.0 -	5.0 -	nA
Spectral Noise current (10 KHz, 1.0 Hz)	-	<0.02	0.15	-	0.02	0.20	pA/√Hz
Capacitance @ $V_R=V_{OP}$ Ceramic TO-18	- -	0.6 0.8	0.8 1.0	- -	4.0 4.0	6.0 6.0	pF
Rise/Fall time (10%-90%)	-	0.07	0.5	-	0.5	1.0	ns
Bandwidth (-3dB, $R_L=50\Omega$)	-	3.5	-	-	0.75	-	GHz
Maximum Forward Current	-	-	10	-	-	10	mA
Power Dissipation	-	-	100	-	-	100	mW
Storage Temperature ³	-60		125	-60		125	°C
Operating Temperature ³	-40		125	-40		125	°C

2. Coupled from 62.5 μm , 0.28NA, graded index multi-mode fiber using 1300 nm SLED source.

3. Maximum storage and operating temperature of connectorized /receptacle devices is +85°C.

Table 3. Ordering Guide

Package Type	C30616	C30637	C30617	C30618
TO-18 ball glass lens	-	-	C30617BH	-
TO-18 flat glass lens	-	-	-	C30618GH
Rectangular ceramic	C30616ECERH	C30637ECERH	C30617ECERH	C30618ECERH
TO-18 ball lens with FC receptacle	-	-	C30617BFCH	C30618BFCH
TO-18 ball lens with SC receptacle	-	-	C30617BSCH	-

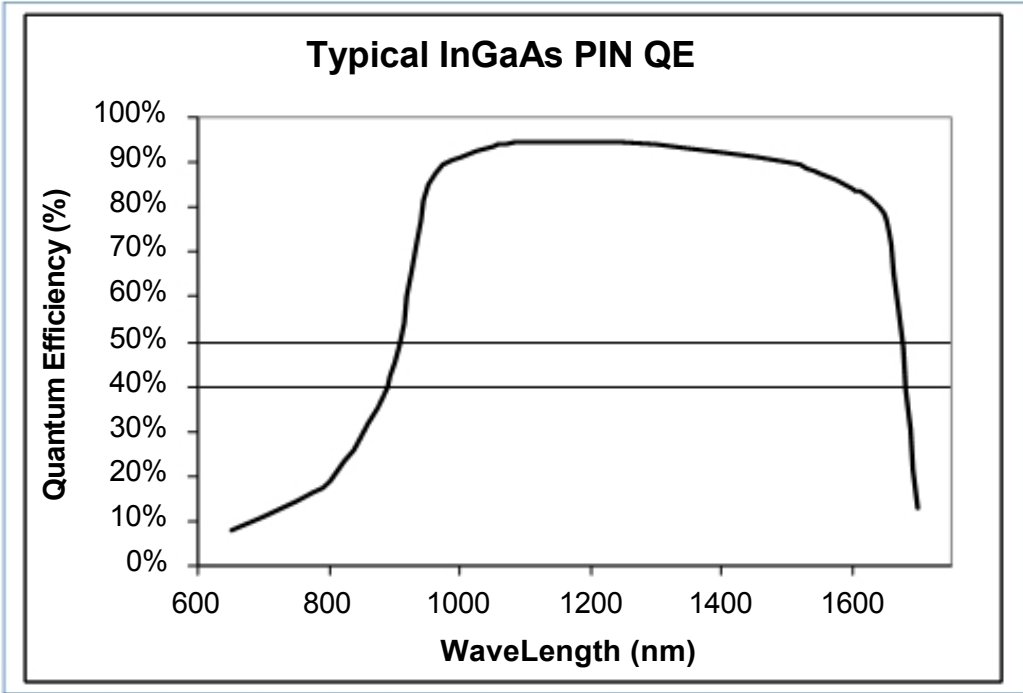


Figure 1
Typical Quantum Efficiency vs. Wavelength

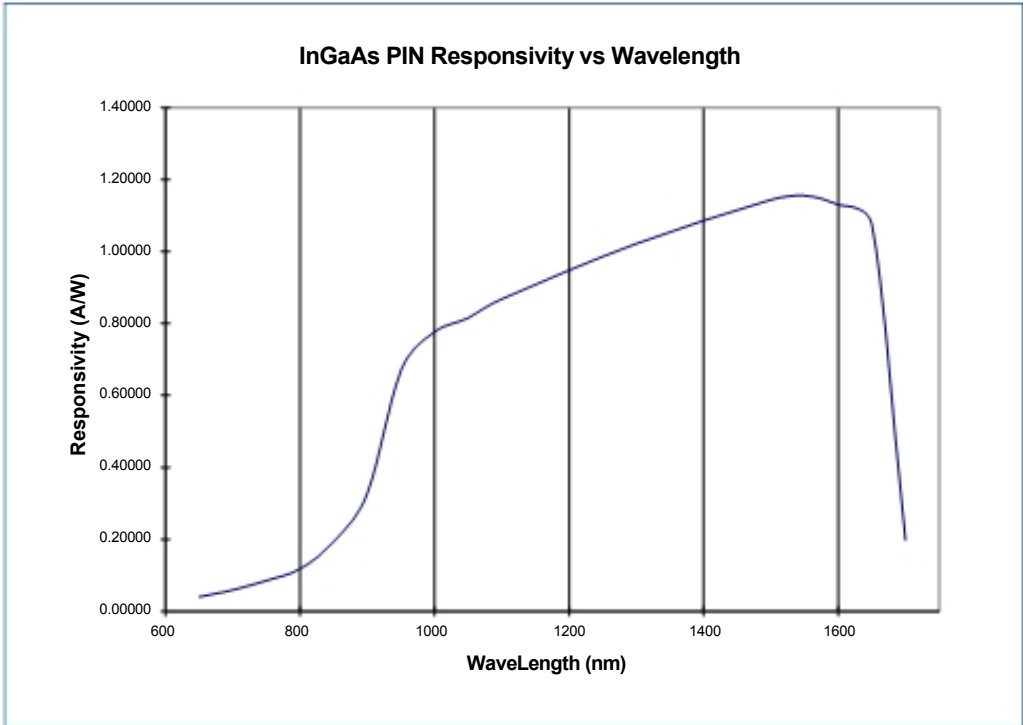


Figure 2
Typical Responsivity vs. Wavelength

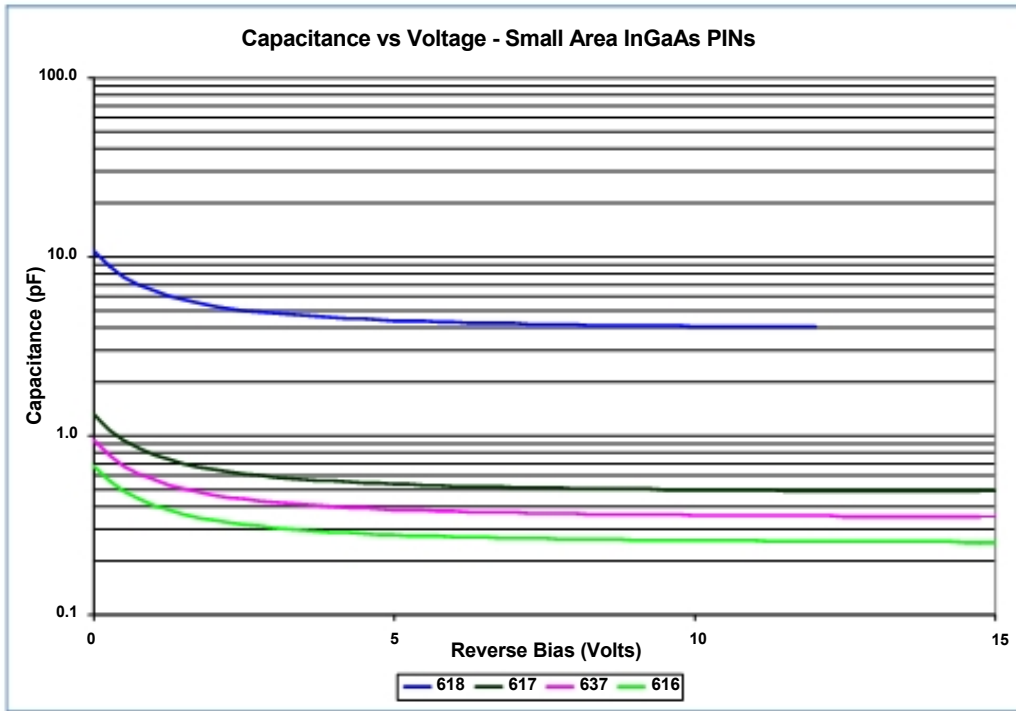


Figure 3
Typical Capacitance vs. Operating Voltage

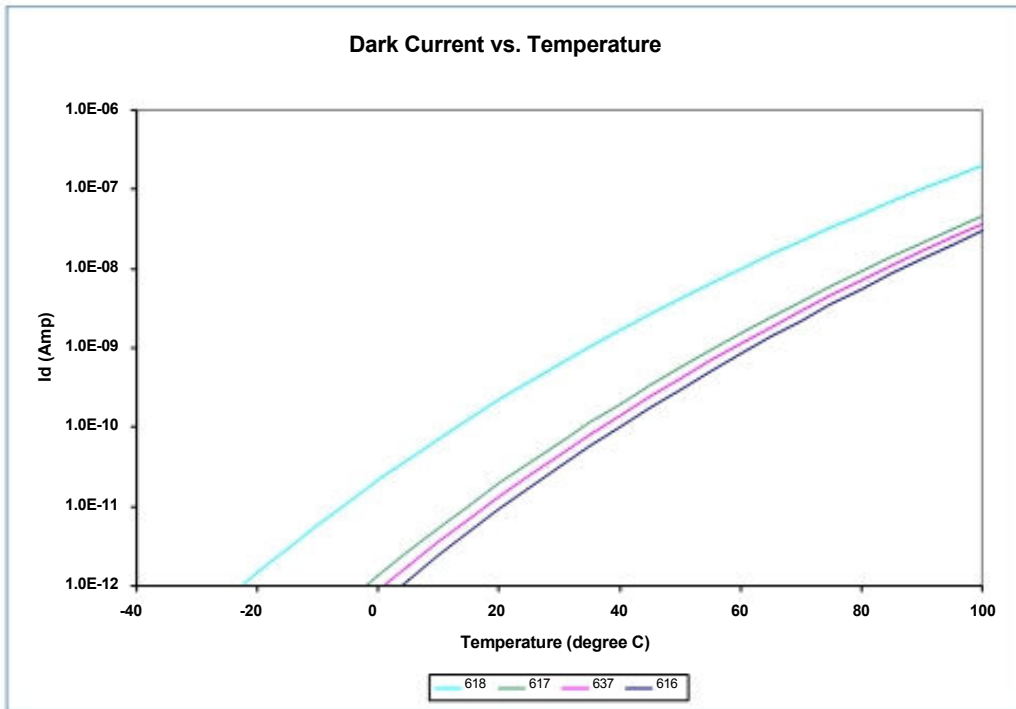


Figure 4
Typical Dark Current vs. Temperature

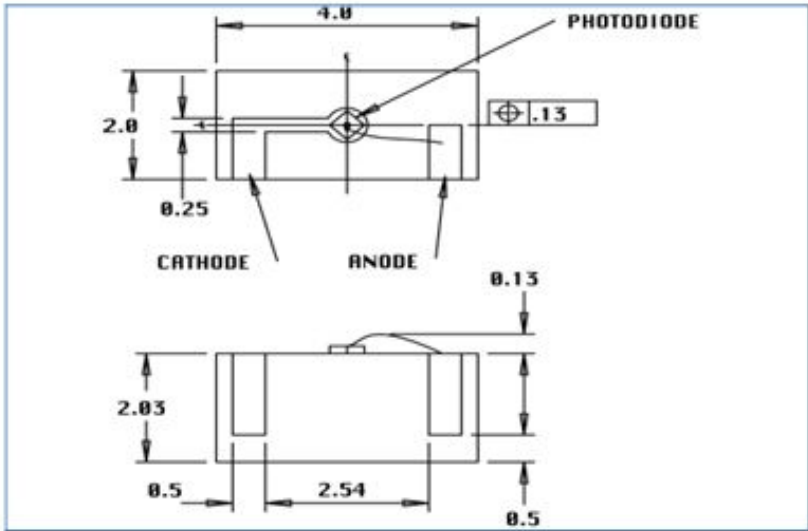


Figure 5
Package dimension for rectangular ceramic ECERH types, in mm, for reference only

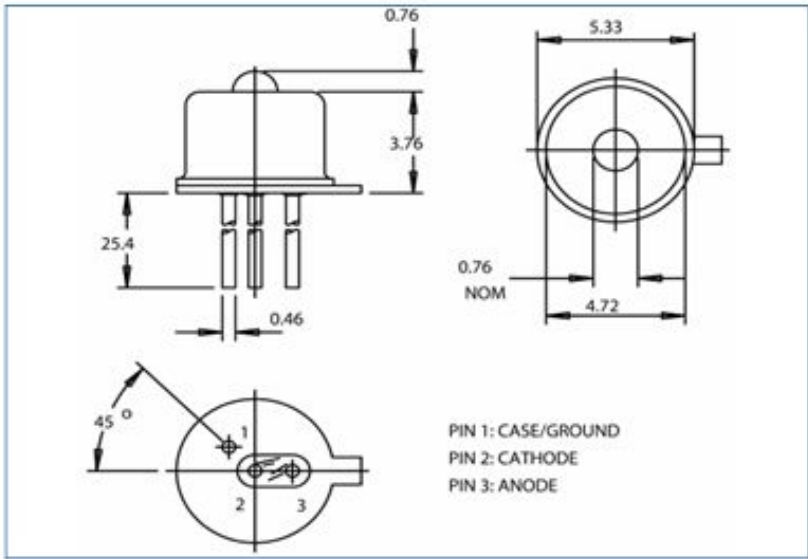


Figure 6
Package dimension for TO-18 ball lens BH types, in mm, for reference only

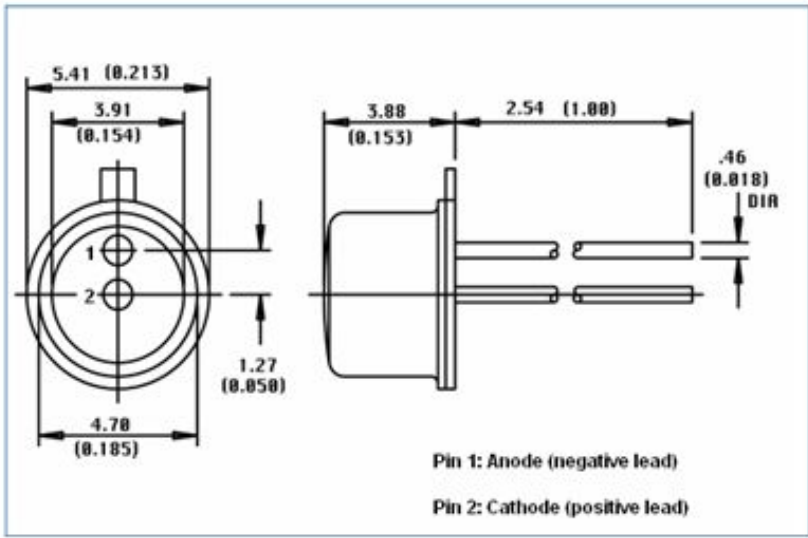


Figure 7
Package dimension for TO-18 flat glass lens GH types, in mm, for reference only

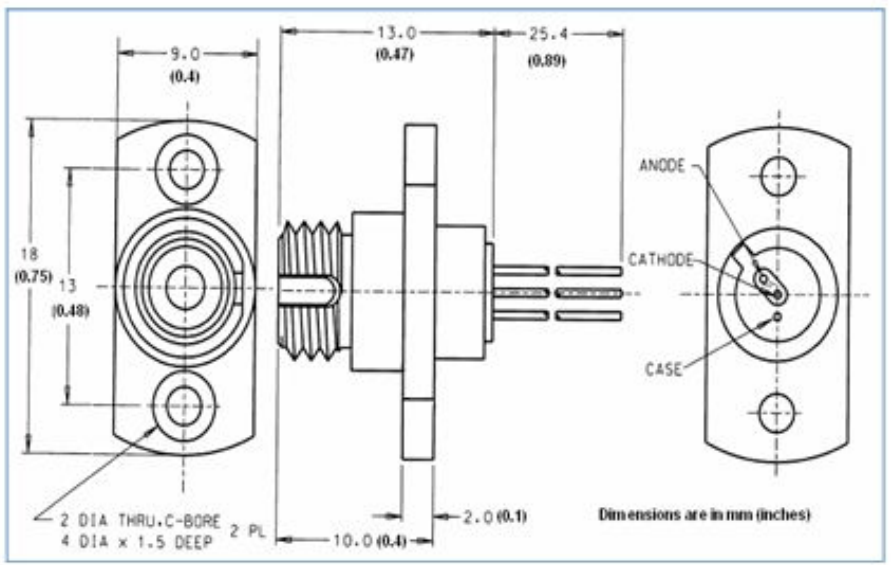


Figure 8
 Package dimension for TO-18 ball lens FC receptacle BFC types, in mm (inches), for reference only

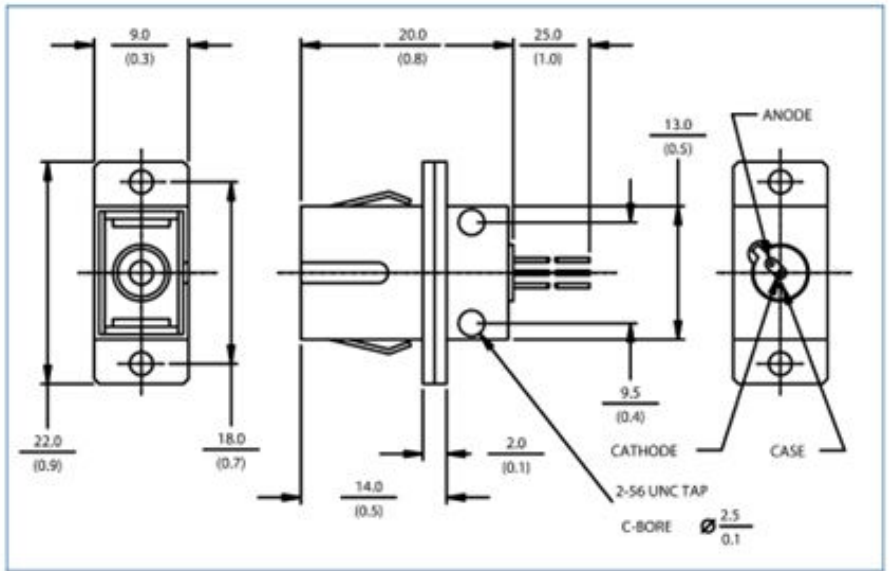


Figure 9
 Package dimension for TO-18 ball lens SC receptacle BSC types, in mm (inches), for reference only

RoHS Compliance

This series of photodiodes is designed and built to be fully compliant with the European Union Directive 2002/95/EEC - Restriction of the use of certain Hazardous Substances in Electrical and Electronic equipment.



Warranty

A standard 12-month warranty following shipment applies. Any warranty is null and void if the photodiode window has been opened.

Your Partner of Choice

With a broad customer base in all major markets, built on ninety years of solid trust and cooperation with our customers, Excelitas is recognized as a reliable partner that delivers high quantity, customized, and superior "one-stop" solutions. Our products - from single photocells to complex x-ray inspection systems - meet the highest quality and environmental standards. Our worldwide Centres of Excellence, along with our Customer and Technical Support teams, always work with you to find the best solutions for your specific needs.

Excelitas

Excelitas is a global technology leader providing market-driven, integrated solutions for a wide range of applications, which leverage our lighting, sensors, and imaging expertise. Our technologies, services and support are enhancing our customers' productivity, optimizing performance, and accelerating time to market. So contact us and put Excelitas' expertise to work in your demanding applications. We will show how our innovations will help you deliver the perfect product.

**North America
Customer Support Hub
Excelitas Technologies**
22001 Dumberry Road
Vaudreuil-Dorion, Québec
Canada J7V 8P7
Telephone: +1 450-424-3300,
(+1) 866-574-6786 (toll-free)
Fax: +1 450-424-3345
generalinquiries@excelitas.com
www.excelitas.com

**European Headquarters
Excelitas Technologies**
Wenzel-Jaksch-Str. 31
65199 Wiesbaden, Germany
Telephone: (+49) 611-492-247
Fax: (+49) 611-492-170

**Asia Headquarters
Excelitas Technologies**
47 Ayer Rajah Crescent #06-12
Singapore 139947
Telephone: (+65) 6775-2022
Fax: (+65) 6775-1008



For a complete listing of our global offices, visit www.excelitas.com

© 2011 Excelitas Technologies Corp. All rights reserved. The Excelitas logo and design are registered trademarks of Excelitas Technologies Corp. All other trademarks not owned by Excelitas Technologies or its subsidiaries that are depicted herein are the property of their respective owners. Excelitas reserves the right to change this document at any time without notice and disclaims liability for editorial, pictorial or typographical errors.

600252_01 DTS0308