

THIS COPY IS PROVIDED ON A RESTRICTED BASIS AND IS NOT TO BE USED IN ANY WAY DETRIMENTAL TO THE INTERESTS OF PANDUIT CORP.



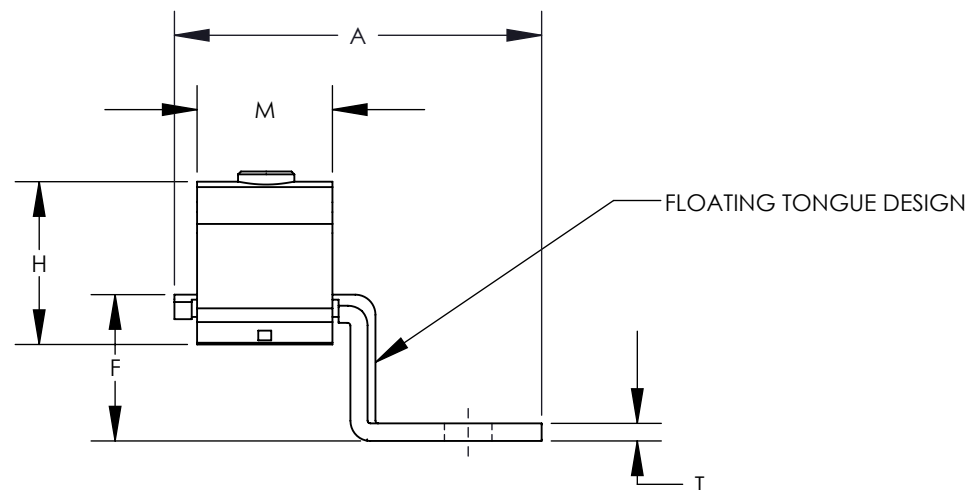
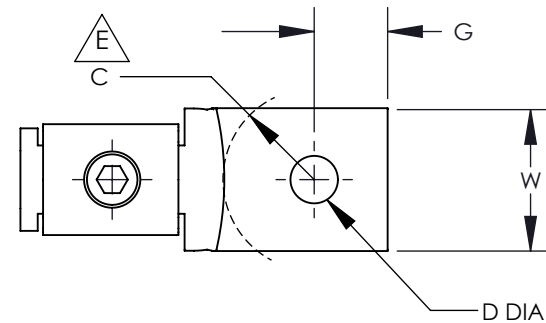
A NOTES:

- MATERIAL:
BODY - COPPER
SCREW - STEEL, ZINC PLATED
- cULus LISTED FOR USE UP TO 600V & TEMPERATURE RATED 90°C
- RATED FOR USE WITH COPPER STRANDED CODE CONDUCTOR ONLY
- THESE PARTS ARE RoHS COMPLIANT
- SEE PACKAGING LABEL FOR TIGHTENING TORQUE INFORMATION
- PKG QTY:
C = 100
Q = 25
3 = 3



PART NUMBER	WIRE RANGE COPPER	CURRENT RATING (AMPS)	STUD SIZE IN	DIMENSIONS - IN [MM] +/- .02 [.5]									HEX KEY*
				A	D DIA	W	G	C	T	F	H	M	
CB25-18-CY	#14 - #10	25	1/8	1.00 [25.4]	0.14 [3.6]	.31 [7.9]	.20 [5.1]	.28 [7.1]	.07 [1.8]	.26 [6.6]	0.36 [9.1]	0.28 [7.1]	SLOTTED SCREW
CB35-36-CY	#14 - #6 (2) #10 AWG (2) #12 AWG (2) #14 AWG (1) #10 AWG WITH (1) #12 AWG (1) #14 AWG WITH (1) #14 AWG	50	3/16	1.24 [31.5]	0.19 [4.8]	.38 [9.7]	.22 [5.6]	.30 [7.6]	.07 [1.8]	.43 [10.9]	0.49 [12.4]	0.43 [10.9]	SLOTTED SCREW
CBA70-14SL-CY	#14 - #4	70	1/4	1.31 [33.3]	0.26 [6.6]	.50 [12.7]	.25 [6.4]	.48 [12.2]	.08 [2.0]	.40 [10.1]	0.64 [16.3]	0.50 [12.7]	SLOTTED SCREW
CB70-14-CY	#8-2 (1) #8 AWG WITH (1) #4 AWG (1) #8 AWG WITH (1) #6 AWG	90	1/4	1.55 [39.4]	0.26 [6.6]	.47 [11.9]	.25 [6.4]	.47 [11.9]	.08 [2.0]	.52 [13.2]	0.64 [16.3]	0.50 [12.7]	SLOTTED SCREW
CB125-14-QY	#6 - 1/0	125	1/4	1.98 [50.3]	0.26 [6.6]	.62 [15.7]	.42 [10.7]	.50 [12.7]	.11 [2.7]	.74 [18.7]	0.88 [22.4]	0.60 [15.2]	SLOTTED SCREW
CB175-38-QY	#4 - 3/0	175	3/8	2.20 [55.9]	0.39 [9.9]	.75 [19.0]	.43 [10.9]	.63 [16.0]	.16 [4.0]	.78 [19.8]	1.01 [25.7]	0.72 [18.3]	3/16
CB225-56-QY	#2 - 4/0	225	5/16	2.55 [64.8]	0.33 [8.4]	.99 [25.1]	.51 [13.0]	.70 [17.8]	.12 [3.1]	1.02 [25.8]	1.13 [28.7]	0.94 [23.9]	3/16
CB300-38-QY	1/0 - 350	300	3/8	2.83 [71.9]	0.39 [9.9]	.99 [25.1]	.51 [13.0]	.70 [17.8]	.12 [3.1]	1.03 [26.2]	1.39 [35.3]	1.23 [31.2]	5/16
CB400-38-3Y	1/0 - 500	400	3/8	4.09 [103.9]	0.39 [9.9]	1.50 [38.0]	.90 [22.9]	1.15 [29.2]	.18 [4.5]	1.39 [35.3]	1.61 [40.9]	1.41 [35.8]	5/16
CB650-12-3Y	600 - 1000	650	1/2	4.84 [122.9]	0.59 [15.0]	2.00 [50.8]	1.12 [28.4]	1.07 [27.2]	.25 [6.4]	1.97 [50.0]	2.32 [58.9]	1.85 [47.0]	3/8

* HEX STYLE & SIZE MAY DIFFER FROM CHART. DIFFERENCE IN SIZE WILL NOT AFFECT FIT, FORM, OR FUNCTION OF PART



REV	DATE	BY	CHK	APR	DESCRIPTION	ECN
09	11/13	JHNU	JHNU	RGB	REMOVED L DIMENSION REVISED W DIMENSION FOR CB70-14-CY: .47 WAS .50	N41663BA-C41663
08	2/13	JHNU	JHNU	RGB	REVISED TITLE BLOCK	N41663BA-C41663

TITLE CB SERIES COPPER MECHANICAL LUGS CUSTOMER DRAWING	
ITEM REVISION NAME N41663BA-C41663/09	PANDUIT
DATASET FILE NAME C41663/09.SLDDRW	
UNLESS OTHERWISE SPECIFIED, DIMENSIONAL TOLERANCES ARE: IN [mm]	
.X ± .XXX ±	SEE NOTES
.XX ± ANGLES ±	
THIRD ANGLE PROJECTION	
DRAWN BY JHNU	DATE 3/06
CHK JHNU	SCALE NONE
DRAWING NUMBER C41663_09	
SHEET 1 OF 1	
SIZE B	

Mouser Electronics

Authorized Distributor

Click to View Pricing, Inventory, Delivery & Lifecycle Information:

[Panduit:](#)

[CBA70-14-CY](#)