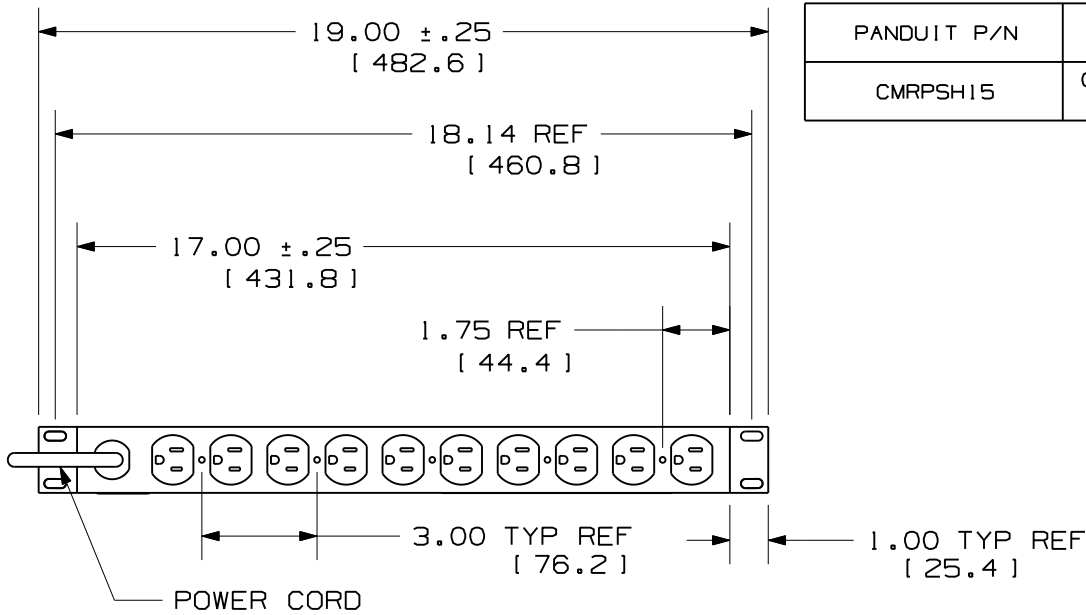


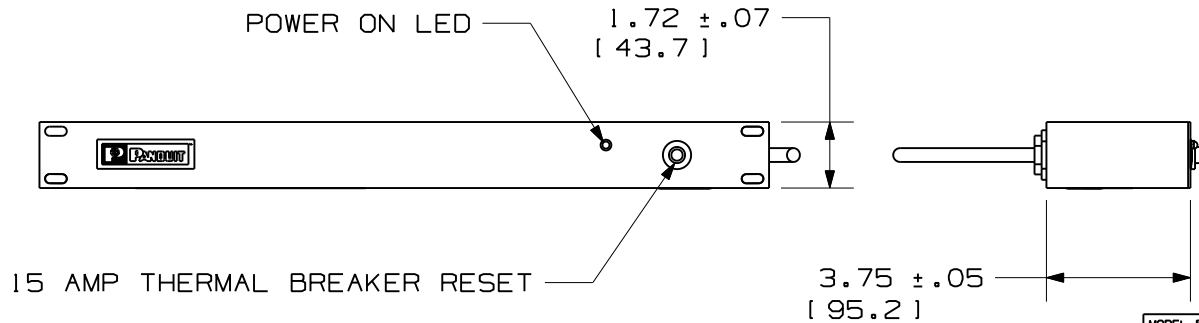
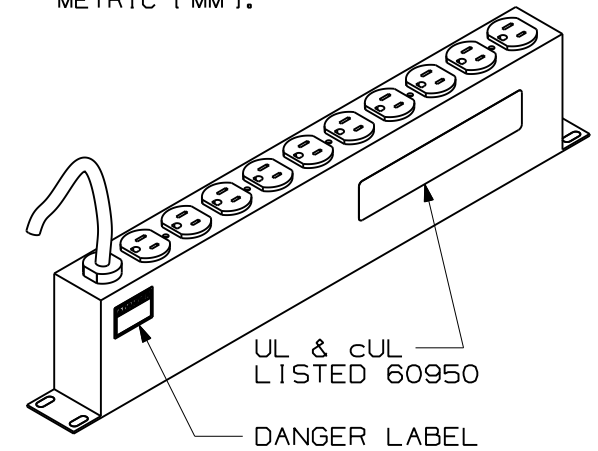
THIS COPY IS PROVIDED ON A RESTRICTED BASIS AND IS NOT TO BE USED IN ANY WAY DETRIMENTAL TO THE INTERESTS OF PANDUIT CORP.



NOTES:

- IDENTIFICATION: 125 VOLT HORIZONTAL POWER STRIP WITH TEN, 15 AMP (REAR MOUNTED) OUTLETS.
- ACCESSORY COMPONENTS:
 (4) #10-32 X 1/2" MOUNTING SCREWS
 (4) #12-24 X 1/2" MOUNTING SCREWS
- THE POWER STRIP SHALL HAVE THE FOLLOWING:
 -TEN (10) - NEMA 5-15R OUTLETS (5 DUPLEX 15 AMP RECEPTACLES) WITH NEMA 5-15P PLUG
- DIMENSIONS IN PARENTHESES ARE METRIC [MM].

PART NO COLOR
 CMRPSH15 BLACK



MODEL FILENAME V01129CC_CMPSH15_00.PRT
 CAD FILENAME/LAYERS V01129CC_DC_00E.PRT

PANDUIT CORP. TINLEY PARK, ILLINOIS

1RU 19" HORIZONTAL POWER STRIP
 15 AMP 125V (CMRPSH15)
 CUSTOMER DRAWING

UNLESS OTHERWISE SPECIFIED,
 DIMENSIONAL TOLERANCES ARE:
 (.X) ± (.XXX) ±
 (.XX) ± ANGLES ±

UNLESS OTHERWISE SPECIFIED,
 ALL DIMENSIONS ARE GIVEN
 IN INCHES, THIRD ANGLE PROJECTION.

REV	DATE	BY	CHK	DESCRIPTION	ECN	R	CUST	SUP	OTH
OOE	3-26-10	MRWA		J. ADDED WEIGHT BOX I. UPDATED TITLE BLOCK	01129-06				
OOD	5-4-09	MRWA		H. NOTE 4 WAS METRIC DIMENSIONS SHOWN IN BRACKETS ARE METRIC [MM]. G. NOTE 3 WAS SEE SPEC. SHEET SA-NC10SP01F FOR TECHNICAL SPECIFICATIONS. F. ADDED UL LABEL AND TEXT E. ADDED DANGER LABEL AND TEXT	01129-05				
2	4-22-02	MAV		B. REMOVED THUMB SCREWS W/RETAINING RINGS C. ADDED VOLTAGE TO NOTE #1 D. ADDED SPEC. SHEET #	01129-06				
1	9-7-01	MAV	MJM	A. REVISED ACCESSORY COMPONENTS	01129-06		JWI		
R	7-24-01	JDWE	MJM	RELEASED TO PRODUCTION	01129-06		JWI		

DRAWN BY JDWE	MAT'L: COLD-ROLLED STEEL	SCALE 1:5
DATE 7-24-01		DRAWING NO. 01129-06
CHK'D MJM		DWG A SIZE

Mouser Electronics

Authorized Distributor

Click to View Pricing, Inventory, Delivery & Lifecycle Information:

[Panduit:](#)

[CMRPSH15](#)