

**PHYSICAL DIMENSIONS:**

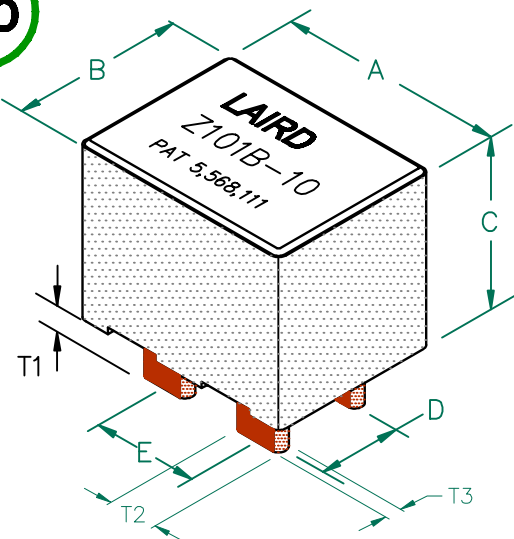
A	13.72 [.540]	+ 0.20 [.008]
B	10.41 [.410]	+ 0.15 [.006]
C	10.52 [.414]	+ 0.25 [.010]
D	5.28 [.208]	+ 0.13 [.005]
E	6.35 [.250]	+ 0.10 [.004]

**WIRE DIMENSIONS:**

T1	3.05 [.120]	+ 0.33 [.013]
T2	3.07 [.121]	+ 0.05 [.002]
T3	0.97 [.038]	+ 0.05 [.002]

# CM5441Z101B-10

**UNCONTROLLED DOCUMENT**

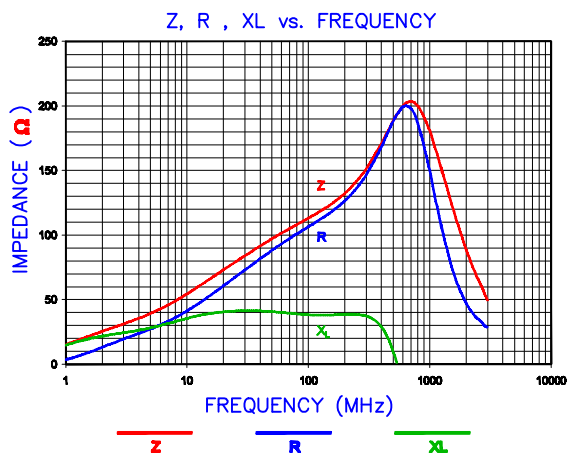
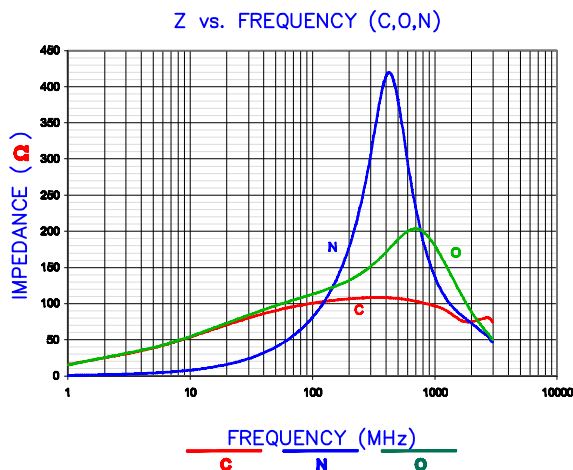


**ELECTRICAL CHARACTERISTICS:**

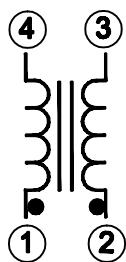
Z @ 100MHz (Ω)	DCR (Ω)	Rated Current
Nominal	100	
Minimum	75	
Maximum	-	.0003 *75,000 mA

NOTES: UNLESS OTHERWISE SPECIFIED

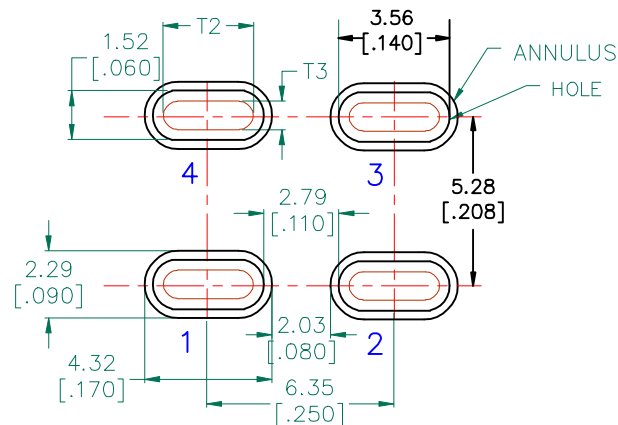
1. BULK PACKED, 825 per CASE.
- 2.\* MAXIMUM CURRENT IS:  
75,000 mA @ 30° C RISE.  
30,000 mA @ 25° C RISE.
3. COMPONENTS SHOULD BE ADEQUATELY PRE-HEATED BEFORE SOLDERING.
4. TERMINATION FINISH IS 100% TIN.
5. THIS PART HAS NO PIN POLARITY.



**EQUIVALENT CIRCUIT**



**HOLE PATTERN FOR WAVE SOLDERING**



DIMENSIONS ARE IN mm (INCHES).				This print is the property of Laird Tech. and is loaned in confidence subject to return upon request and with the understanding that no copies shall be made without the written consent of Laird Tech. All rights to design or invention are reserved.				
PROJECT/PART NUMBER:				Laird TECHNOLOGIES				
C	UPDATE COMPANY LOGO & KAPTON LABEL ADD EQUIVALENT CIRCUIT	11/18/08	JRK	CM5441Z101B-10	REV	C	PART TYPE: ASSEMBLY	DRAWN BY: JRK
B	UPDATE COMPANY LOGO	12/18/07	JRK	DATE: 06/09/04	SCALE:	NTS	SHEET:	
A	ORIGINAL DRAFT	06/09/04	JRK	CAD #	TOOL #	H0540-0		
REV	DESCRIPTION	DATE	INT	CM5441Z101B-10-C-2				2 of 3

# Mouser Electronics

Authorized Distributor

Click to View Pricing, Inventory, Delivery & Lifecycle Information:

[Laird Technologies:](#)

[CM5441Z101B-10](#)