

# BA Series

## Aluminum Cased Resistor



### FEATURES

- Three extrusion forms available
- Heatsinkable
- Rugged design
- Up to 1000 watts
- Thermal cut-off available
- Scalable, custom lengths available
- Custom leads available

### APPLICATIONS

- Dynamic Braking
- Motor Starting
- Power Control

### SERIES SPECIFICATIONS

Series	Wattage*	Resistance range	Tolerance	Length
BA1160	500	0.5Ω - 18KΩ	±10%	160mm
BA2320	700	10Ω - 10KΩ	±10%	320mm
BA3266	1000	10Ω - 10KΩ	±10%	266mm

\* Free air rating

### CHARACTERISTICS

<b>Overload</b>	5 times rated wattage for 10 sec.
<b>Power Rating</b>	Free air; greater with heatsink
<b>Dielectric Withstanding Voltage</b>	2.5KV, 1 min., 50/60 Hz
<b>Insulation Resistance</b>	≥100MΩ
<b>Working Voltage</b>	≥800V
<b>Max. Surface Temp.</b>	385°C
<b>Wire</b>	UL listed 3199

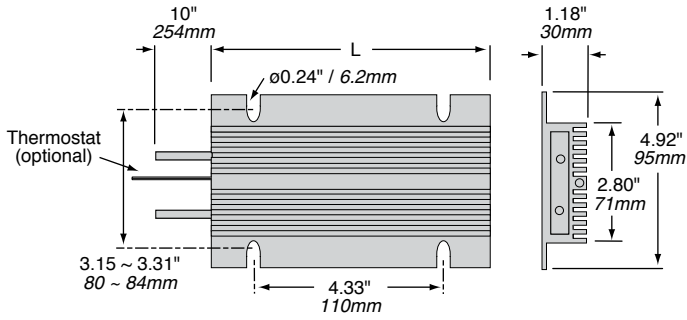
(continued)

# BA Series

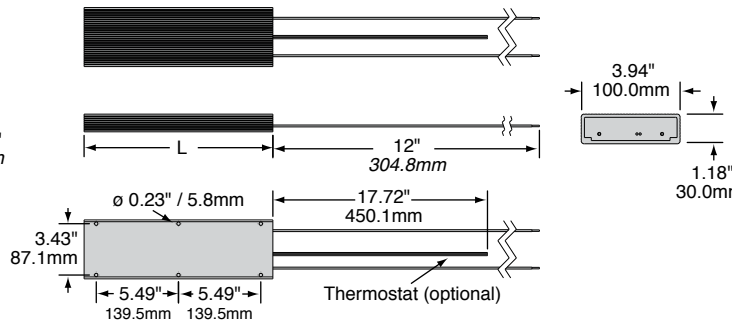
## Aluminum Cased Resistor

### DIMENSIONS

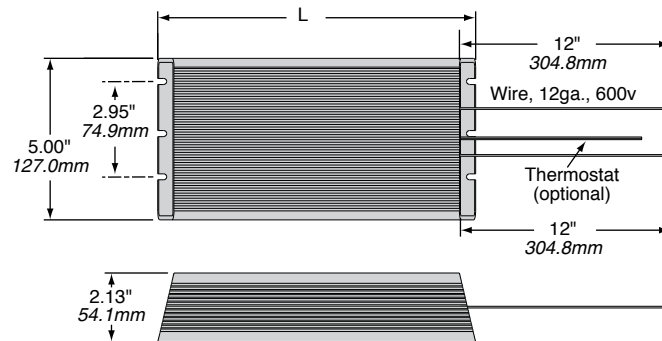
#### BA1



#### BA2



#### BA3



### ORDERING INFORMATION

**B** **A** **C** **1** **1** **60** **100** **R** **K** **E**

Thermal switch (optional) | Form 1 = extrusion | RoHS Compliant  
 Series B = block aluminum | Termination A = wire leads B = solid terminals | Length (mm) | Resistance | Tolerance K =  $\pm 10\%$