


















CU-5123		3.62"	1.50"	1.21"	1.06"	3.30"	1.18"	1.09"	1.00"	1.97"	3.25"	0.06"	9.0
CU-5124		4.37"	2.37"	1.21"	1.06"	4.05"	2.05"	1.09"	1.00"	2.84"	3.99"	0.06"	10.5
CU-5234		4.68"	3.68"	2.21"	2.06"	4.24"	3.24"	2.09"	2.00"	4.15"	4.31"	0.09"	15.0
CU-5247		7.39"	4.70"	2.21"	2.06"	7.08"	4.33"	2.09"	2.00"	5.12"	7.01"	0.09"	26.0
CU-5347		7.39"	4.70"	3.21"	3.06"	7.08"	4.33"	3.09"	3.00"	5.12"	7.02"	0.09"	30.0
CU-5470		2.00"	2.00"	1.25"	1.09"	1.80"	1.80"	1.10"	1.01"	1.62"	2.46"	0.06"	5.0
CU-5471		4.33"	3.25"	1.75"	1.59"	4.06"	3.00"	1.60"	1.51"	3.72"	3.96"	0.09"	14.5
CU-5472		4.75"	3.15"	2.33"	2.17"	4.43"	2.35"	2.18"	2.09"	3.62"	4.38"	0.09"	14.5
CU-5473		4.68"	3.68"	1.34"	1.18"	4.43"	3.43"	1.19"	1.10"	4.15"	4.31"	0.09"	14.5
CU-5474		4.75"	4.75"	2.33"	2.17"	4.43"	4.43"	2.18"	2.09"	5.21"	4.37"	0.09"	19.5
CU-5475		4.75"	4.75"	3.75"	3.59"	4.30"	4.30"	3.60"	3.51"	4.39"	5.22"	0.09"	23.5
CU-5476		6.00"	3.25"	2.00"	1.84"	5.68"	2.93"	1.85"	1.76"	3.72"	5.60"	0.09"	20.0
CU-5477		7.39"	4.70"	1.50"	1.34"	7.14"	4.45"	1.35"	1.16"	4.12"	7.02"	0.09"	20.5
CU-5478		7.50"	7.50"	2.62"	2.46"	7.18"	7.18"	2.47"	2.38"	7.12"	7.97"	0.09"	39.0
CU-5479		4.37"	2.37"	2.13"	1.98"	4.05"	2.05"	1.98"	1.90"	2.39"	3.98"	0.06"	11.5

 Autocad DXF Specifications File  
(Requires CAD software such as AutoCAD)

 Adobe PDF Specifications File



[Download PDF Viewer](#)

[Home](#) | [Company Info](#) | [Online Catalog](#) | [Check Stock](#) | [Distributor/Price](#)

[Reps](#) | [New](#) | [Search](#) | [Contact](#) | [Privacy Policy](#)

## BUD INDUSTRIES INC.

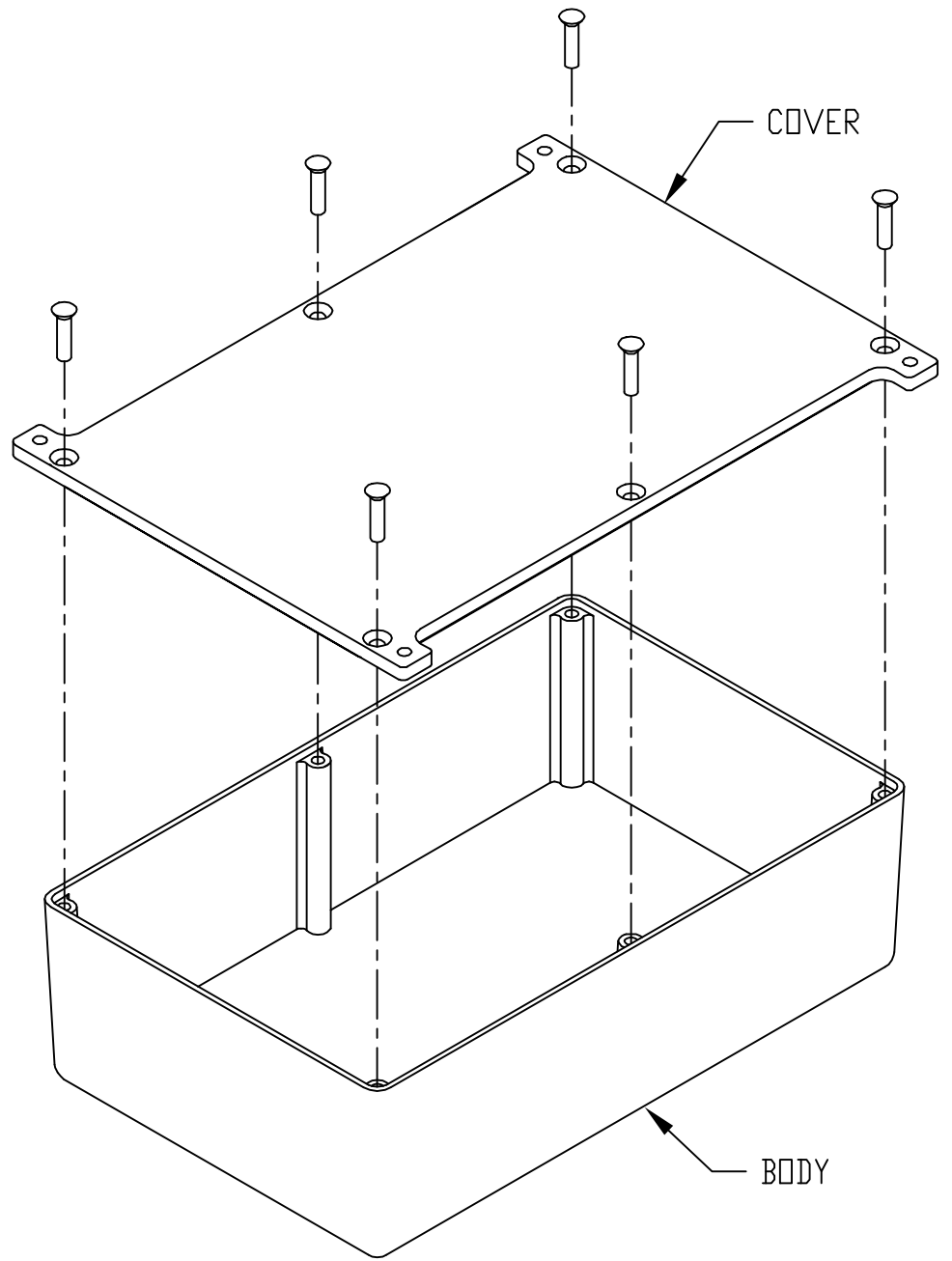
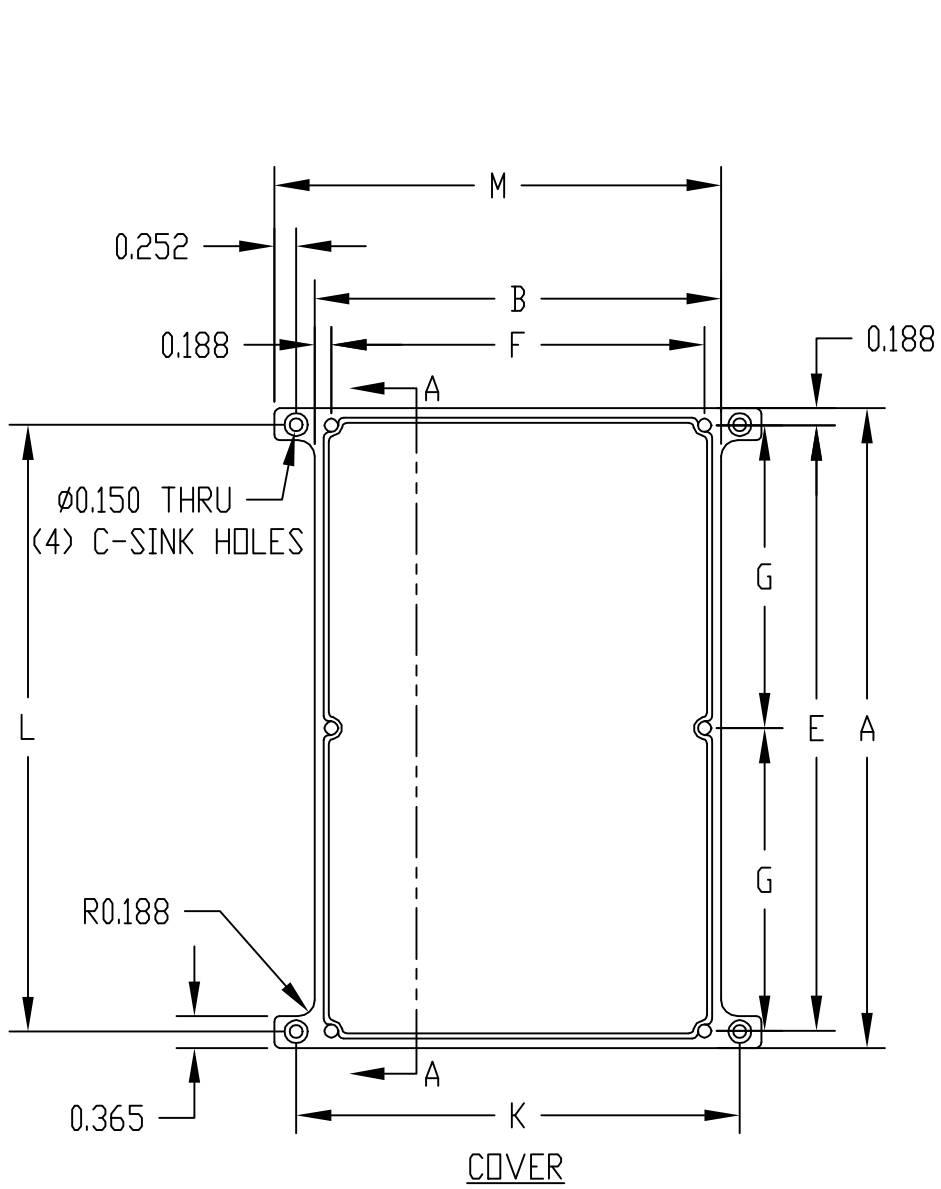
P.O. Box 998

Willoughby, Ohio 44094

Phone: 440-946-3200 Fax: 440-951-4015

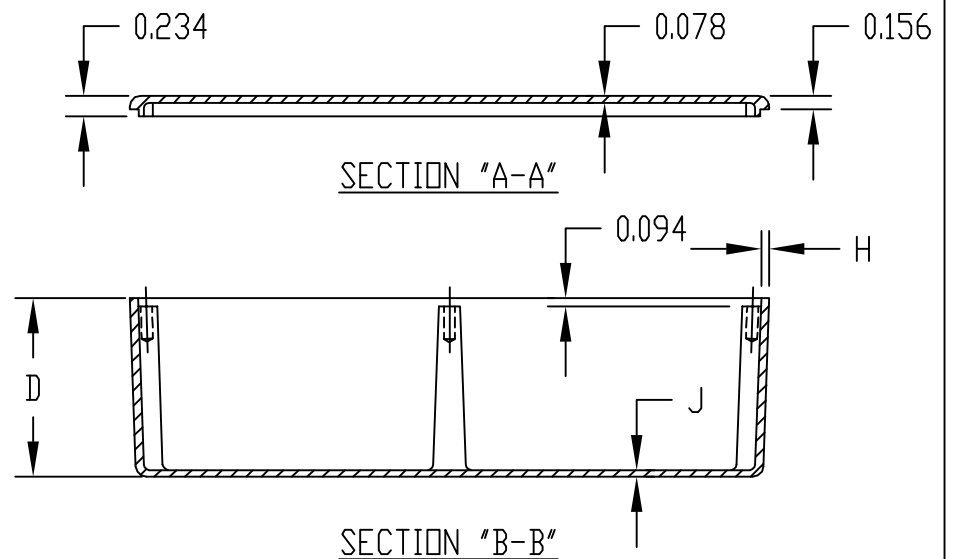
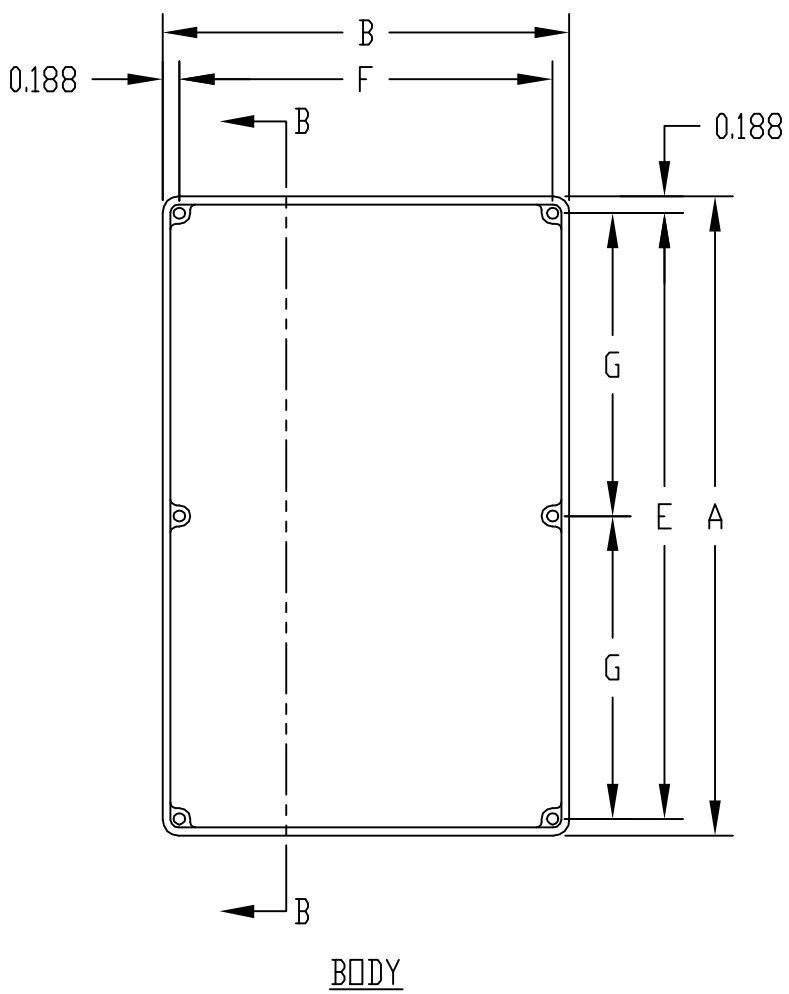
E-Mail: [saleseast@budind.com](mailto:saleseast@budind.com)

PART NAME	ECONOBOXES	PART No.	CU-5123 TO CU-5347 & CU-5123-B TO CU-5347-B	REV. DATE	9-21-04
-----------	------------	----------	---	-----------	---------



MATERIAL:  
ALUMINUM ALLOY #ADC-10  
FINISH:  
NATURAL (NO SUFFIX)  
SMOOTH BLACK (SUFFIX -B)

ALL INTERNAL FILLETS 0.062 RADIUS  
ALL INTERNAL ROUNDS 0.125 RADIUS  
ALL EXTERNAL ROUNDS 0.125 RADIUS  
ALL BOXES ASSEMBLED WITH #6-32 FLAT HD. SCREWS



\* ASSEMBLED HEIGHT

PART NO.	PART NO.	A	B	* C	D	E	F	G	H	J	K	L	M
CU-5123	CU-5123-B	3.625	1.500	1.218	1.062	3.250	1.125	---	0.062	0.062	1.975	3.250	1.987
CU-5124	CU-5124-B	4.375	2.375	1.218	1.062	4.000	2.000	---	0.062	0.078	2.840	3.991	2.842
CU-5234	CU-5234-B	4.688	3.688	2.218	2.062	4.312	3.312	---	0.094	0.078	4.149	4.310	4.175
CU-5247	CU-5247-B	7.390	4.703	2.218	2.062	7.000	4.312	3.500	0.094	0.078	5.120	7.012	5.168
CU-5347	CU-5347-B	7.390	4.703	3.218	3.062	7.000	4.312	3.500	0.094	0.078	5.118	7.020	5.167