

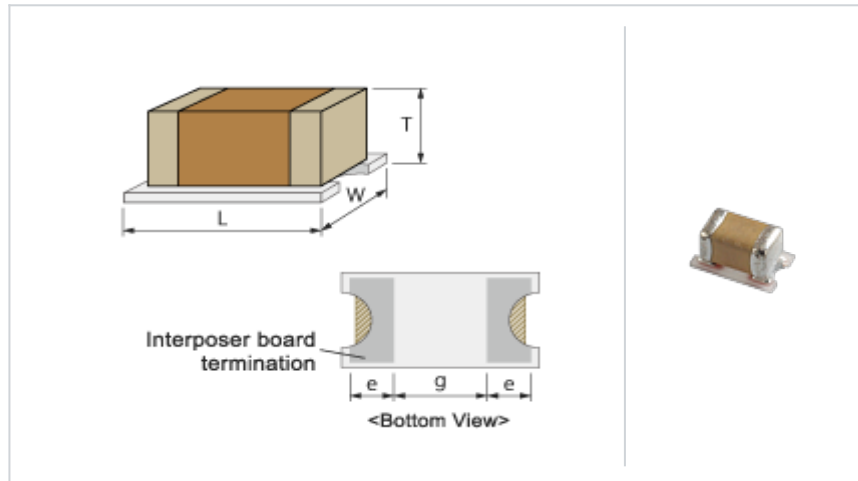
ZRA21CR61E106KE11#

" # " indicates a package specification code.



< List of part numbers with package codes >
ZRA21CR61E106KE11L

Shape



| | |
|---------------------------------------|-------------------|
| L size | 2.4 ± 0.1mm |
| W size | 1.65 ± 0.1mm |
| T size | 1.6 +0.05/-0.15mm |
| External terminal width e | 0.7 ± 0.1mm |
| Distance between external terminals g | 0.8 ± 0.1mm |

References

| Packaging | Specifications | Minimum quantity |
|-----------|-----------------------|------------------|
| L | 180mm Embossed taping | 2000 |

| Mass (typ.) | |
|-------------|------|
| 1 piece | 21mg |

Specifications

| | |
|--|------------|
| Capacitance | 10μF ± 10% |
| Rated voltage | 25Vdc |
| Temperature characteristics (complied standard) | X5R(EIA) |
| Capacitance change rate | ± 15.0% |
| Temperature range of temperature characteristics | -55 to 85 |
| Operating temperature range | -55 to 85 |

⚠ Attention

- 1.This datasheet is downloaded from the website of Murata Manufacturing Co., Ltd. Therefore, it ' s specifications are subject to change or our products in it may be discontinued without advance notice. Please check with our sales representatives or product engineers before ordering.
- 2.This datasheet has only typical specifications because there is no space for detailed specifications. Therefore, please review our product specifications or consult the approval sheet for product specifications before ordering.