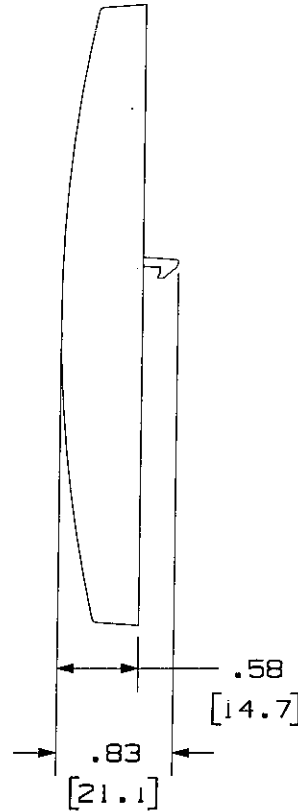
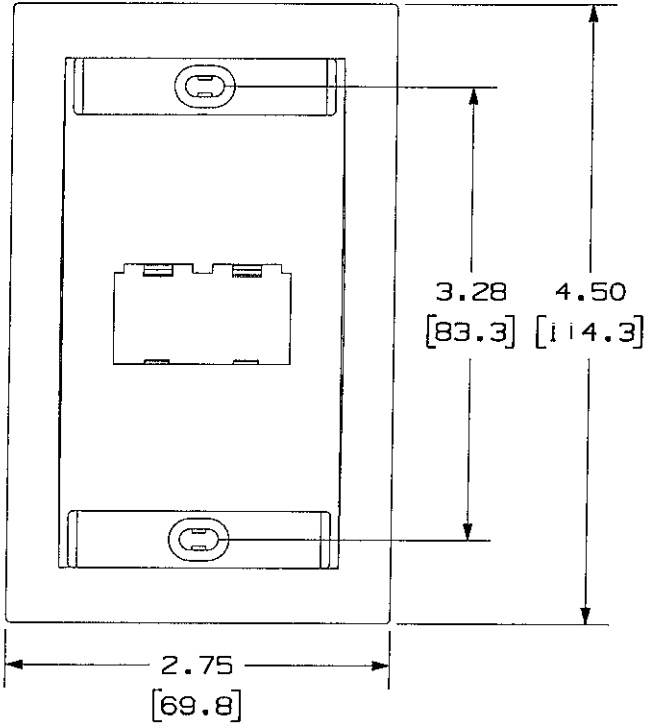


THIS COPY IS PROVIDED ON A RESTRICTED BASIS AND IS NOT TO BE USED IN ANY WAY DETRIMENTAL TO THE INTERESTS OF PANDUIT CORP.

PANDUIT P/N	WEIGHT
CFPE2**Y	.72 LB/10 PCS (326.6 g/10 PCS)



NOTES:

- SEE CURRENT CATALOG FOR ADDITIONAL PART NUMBER SUFFIXES TO INDICATE COLOR AND OR PACKAGE QUANTITY.
- SEE CATALOG FOR COMPLETE LIST OF PARTS APPLICABLE FOR USE WITH THIS PART.
- DIMENSIONS IN [ ] ARE IN METRIC.
- PART INCLUDES:
  - 1- FACEPLATE
  - 2- LABEL
  - 2- LABEL COVER
  - 2- MOUNTING SCREW

NETWORK SYSTEMS  
MAY 25 2006  
ENGINEERING DEPT

DRAWING FILENAME	MO2479EK_DC117_00A.PRT	SIZE	A
------------------	------------------------	------	---

MINI-COM 2 POSITION EXECUTIVE SERIES FACEPLATE CUSTOMER DRAWING



I.I. NUMBER	N/A
PRODUCT SPEC	N/A
WORK INSTRUCTION	N/A
SCALE	NONE
PART NO.	CFPE2**Y
DRAWING NO.	02479-117

THIRD ANGLE PROJECTION	ALL DIMENSIONS ARE GIVEN IN INCHES, UNLESS OTHERWISE SPECIFIED.
DRAWN BY	JSP
DATE	4-26-06
MATERIAL	ABS
CHK'D	[Signature]

REV	DATE	BY	CHK	DESCRIPTION	ECN	R	CUST	SUP	OTH
R	4-26-06	JSP	[Signature]	RELEASED TO PRODUCTION	02479-117	[Signature]	[Signature]		

# Mouser Electronics

Authorized Distributor

Click to View Pricing, Inventory, Delivery & Lifecycle Information:

Panduit:

[CFPE2EIY](#) [CFPE2WHY](#) [CFPE2IGY](#) [CFPE2IW-LY](#) [CFPE2BLY](#) [CFPE2WH-LY](#) [CFPE2EI-LY](#)