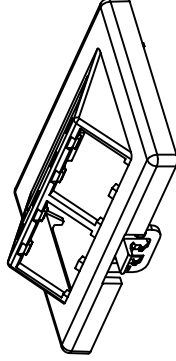
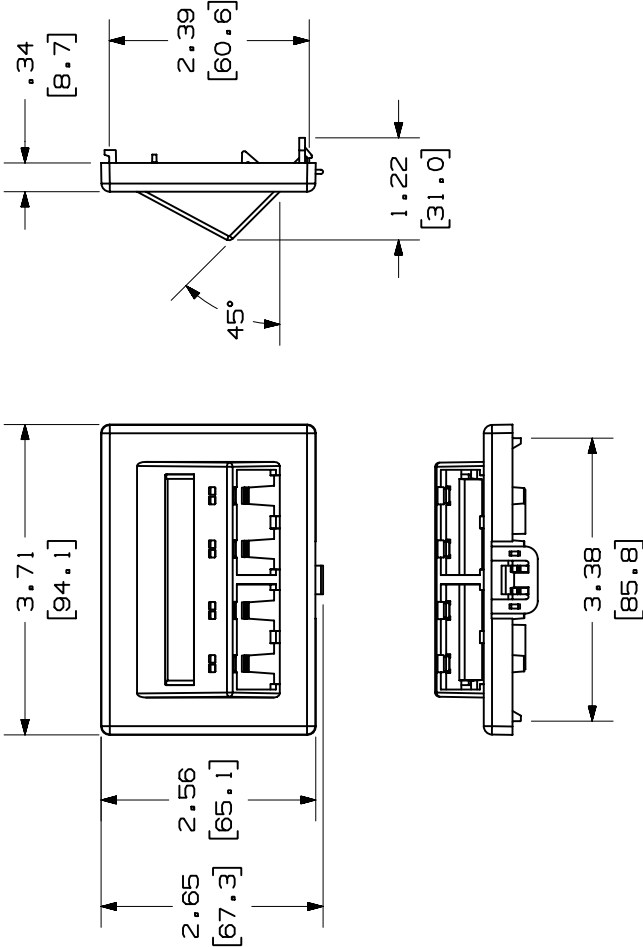


THIS COPY IS PROVIDED ON A RESTRICTED BASIS AND IS NOT TO BE USED IN ANY WAY DETRIMENTAL TO THE INTERESTS OF PANDUIT CORP.

PANDUIT P/N	WEIGHT
CFFPEBSL4**	.40 LB/10 PCS (182.1 9/10 PCS)

- NOTES:
- SEE CURRENT CATALOG FOR ADDITIONAL PART NUMBER SUFFIXES TO INDICATE COLOR AND OR PACKAGE QUANTITY.
 - SEE CATALOG FOR COMPLETE LIST OF PARTS APPLICABLE FOR USE WITH THIS PART.
 - DIMENSIONS IN PARENTHESES ARE IN METRIC.
 - CFFPEBSL4** INCLUDES:
 - 1- LABEL COVER
 - 1- FACEPLATE



CAD FILENAME/LAYERS

M00795BA_DC_08A.PRT

PANDUIT

CORP. TINLEY PARK, ILL.IND015

MINI-COM 4 POSITION SLOPED FURNITURE FACEPLATE FOR HERMAN MILLER BELTLINE SERIES (CFFPEBSL4**) CUSTOMER DRAWING

UNLESS OTHERWISE SPECIFIED, DIMENSIONAL TOLERANCES ARE:
 (.X) ± (.XXX) ±.010(.3)
 (.XX) ±.03(.8) ANGLES ±

UNLESS OTHERWISE SPECIFIED, ALL DIMENSIONS ARE GIVEN IN INCHES, THIRD ANGLE PROJECTION.

DRAWN BY	JSP	MAT'L	NONE
DATE	1-28-00		
CHECKED BY			

DRAWING NO.	00795-02	DWG	A
SCALE		SIZE	

RELEASED TO PRODUCTION.

DESCRIPTION

00795-02

ECN

CHK

SUP

REV

DATE

BY

CHK

DATE

BY

CHK

DATE

BY

CHK

DATE

BY

CHK

DATE

BY

CHK

DATE

BY

CHK

DATE

BY

CHK

DATE

BY

CHK

DATE

BY

CHK

DATE

BY

CHK

DATE

BY

CHK

DATE

BY

CHK

DATE

BY

CHK

DATE

BY

CHK

DATE

BY

CHK

DATE

BY

CHK

DATE

BY

CHK

DATE

BY

CHK

DATE

BY

CHK

DATE

BY

CHK

DATE

BY

CHK

DATE

BY

CHK

DATE

BY

CHK

DATE

BY

CHK

DATE

BY

CHK

DATE

BY

CHK

DATE

BY

CHK

DATE

BY

CHK

DATE

BY

CHK

DATE

BY

CHK

DATE

BY

CHK

DATE

BY

CHK

DATE

BY

CHK

DATE

BY

CHK

DATE

BY

CHK

DATE

BY

CHK

DATE

BY

CHK

DATE

BY

CHK

DATE

BY

CHK

DATE

BY

CHK

DATE

BY

CHK

DATE

BY

CHK

DATE

BY

CHK

DATE

BY

CHK

DATE

BY

CHK

DATE

BY

CHK

DATE

BY

CHK

DATE

BY

CHK

DATE

BY

CHK

DATE

BY

CHK

DATE

BY

CHK

DATE

BY

CHK

DATE

BY

CHK

DATE

BY

CHK

DATE

BY

CHK

DATE

BY

CHK

DATE

BY

CHK

DATE

BY

CHK

DATE

BY

CHK

DATE

BY

CHK

DATE

BY

CHK

DATE

BY

CHK

DATE

BY

CHK

DATE

BY

CHK

DATE

BY

CHK

DATE

BY

CHK

DATE

BY

CHK

DATE

BY

CHK

DATE

BY

CHK

DATE

BY

CHK

DATE

BY

CHK

DATE

BY

CHK

DATE

BY

CHK

DATE

BY

CHK

DATE

BY

CHK

DATE

BY

CHK

DATE

BY

CHK

DATE

BY

CHK

DATE

BY

CHK

DATE

BY

CHK

DATE

BY

CHK

DATE

BY

CHK

DATE

BY

CHK

DATE

BY

CHK

DATE

BY

CHK

DATE

BY

CHK

DATE

BY

CHK

DATE

BY

CHK

DATE

BY

CHK

DATE

BY

CHK