

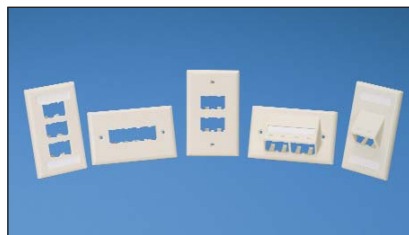
Mini-Com® Classic Series Faceplates

PANDUIT®

SPECIFICATION SHEET

specifications

Classic series faceplates shall be available in 1, 2, 3, 4, and 6-port single gang for vertical applications and 2 and 4-port single gang for horizontal applications. Classic series faceplates shall accept all Mini-Com® Modules for UTP, STP, fiber-optic, and audio/video applications. Faceplates shall be available in a flush or sloped design, and available with or without labels. Sloped design shall increase wall depth to improve the bend radius control.



technical information

Mounting options:	Screw holes with retention tabs, spaced for single gang openings; compatible with Panduit wall board adapter
Packaging:	Supplied with two 1" long, #6 – 32 slotted head screws; select styles include labels and label covers; faceplates without labels include matching mounting screws to match the faceplate; faceplates packaged one per bag, ten per box

key features and benefits

Modular	Accepts all Mini-Com® Modules which snap in and out for easy moves, adds, and changes
Identification	Pre-printed ports and write-on areas available for port and panel identification; optional label kits available for TIA/EIA-606A compliance
Various port densities	Provides design flexibility
Sloped design	Allows proper bend radius control
Icon slots	Provide data and voice identification on select faceplates

applications

Mini-Com® Classic Series Faceplates mount to any standard size single gang junction box and can also mount to a wallboard adapter or raceway mounting brackets. When using classic series faceplates with Panduit surface raceway, color matching is guaranteed. Classic series faceplates with label and label cover offer a quick and easy way to identify the

ports. Mounting screw colors match the faceplate for a clean, consistent look. Dedicated sloped faceplates provide additional room for bend radius control to help comply with standards. Select sloped faceplates include icon slots to help identify the connection.

Vertical Sloped Faceplates

2-port (with labels):	CFPSL2IW*Y
4-port (with labels):	CFPSL4IW*Y
6-port (with labels):	CFPSL6IW*Y

Label Options for Vertical Sloped Faceplates

Laser/ink jet:	C195X040Y1J
Panther™ LS8E:	C195X040Y1C

Vertical Faceplates with Labels

2-port (with labels):	CFPL2IW*Y
3-port (with labels):	CFPL3IW*Y
4-port (with labels):	CFPL4IW*Y
6-port (with labels):	CFPL6IW*Y

Label Options for Vertical Faceplates with Labels

Laser/ink jet:	C195X040Y1J
Panther™ LS8E:	C195X040Y1C

Vertical Faceplates Without Labels

1-port:	CFP1IW*
2-port:	CFP2IW*
4-port:	CFP4IW*

Horizontal Faceplates

2-port:	CFPH2IW*
4-port:	CFPH4IW*

Label Options for Vertical Faceplates Without Labels and Horizontal Faceplates

Laser/ink jet	
1-port:	C061X030FJJ
2-port,	
4-port vertical:	C125X030FJJ
4-port horizontal:	C252X030FJJ
Panther™ LS8E:	
1-port:	C061X030FJC
2-port,	
4-port vertical:	C125X030FJC
4-port horizontal:	C252X030FJC

Horizontal Sloped Faceplates

2-port:	CFPHS2IW*
4-port (with labels):	CFPHSL4IW*

Label Options for Horizontal Sloped Faceplates

Laser/ink jet	
2-port:	C125X030FJJ
4-port:	C261X035Y1J
Panther™ LS8E:	C261X035Y1C (4-port only)

Wall Board Adapters

Single gang:	MWBA1
---------------------	-------

Icons

Voice:	CIPIW‡-C
Data:	CIDIW‡-C

Accessories

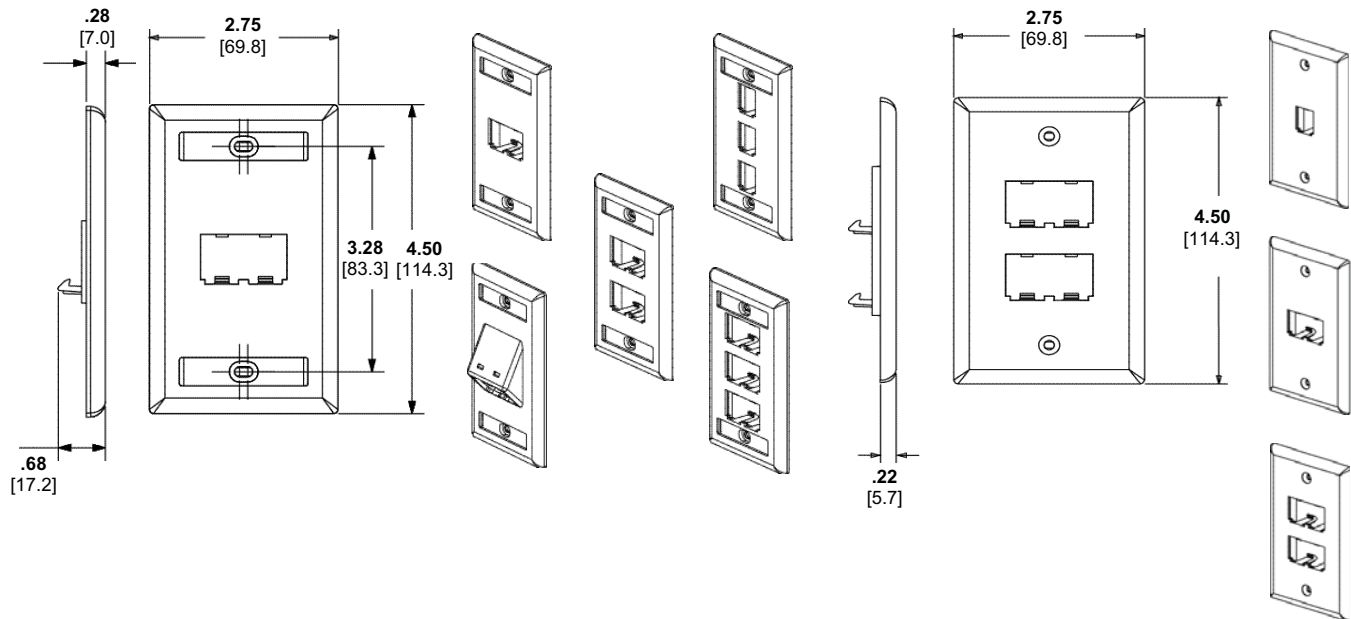
Replacement label and screw cover:	EFPK-XY
Screw cover:	CSCIW-X*

*For other colors, replace suffix IW (Off White) with EI (Electric Ivory), WH (White), or IG (International Gray).

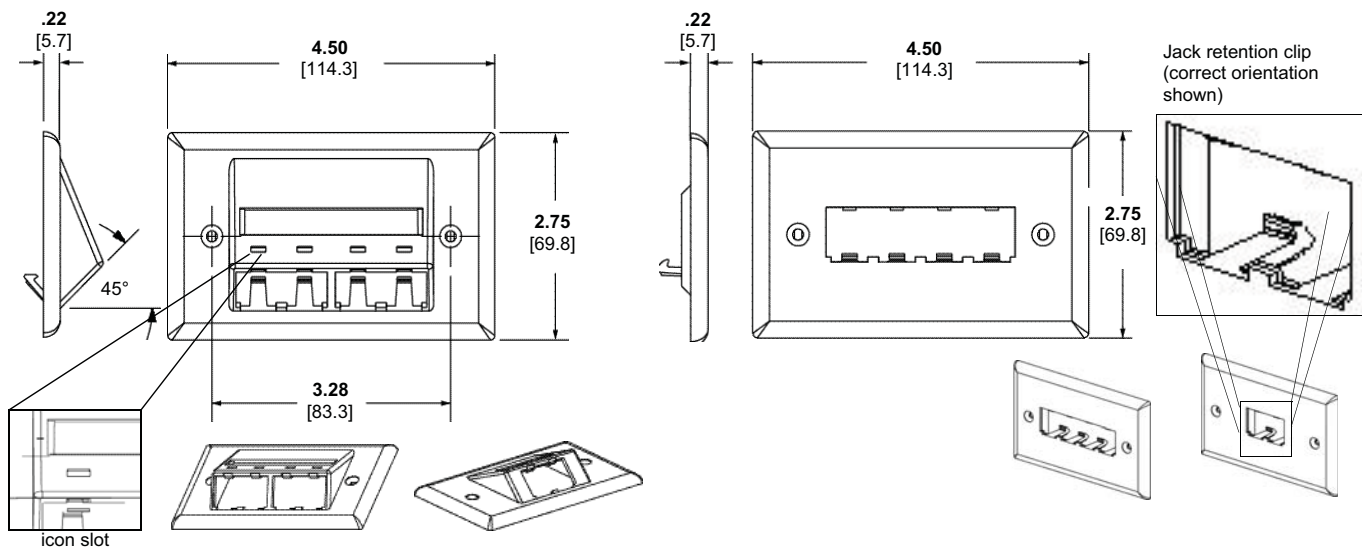
‡For other colors, replace suffix IW (Off White) with EI (Electric Ivory), WH (White), IG (International Gray), BL (Black), OR (Orange), RD (Red), BU (Blue), GR (Green), YL (Yellow), or VL (Violet).

Mini-Com® Classic Series Faceplates

vertical faceplates



horizontal faceplates



Dimensions are in inches. [Dimensions in brackets are metric].

WORLDWIDE SUBSIDIARIES AND SALES OFFICES

PANDUIT CANADA
Markham, Ontario
cs-cdn@panduit.com
Phone: 800.777.3300

PANDUIT EUROPE LTD.
London, UK
cs-emea@panduit.com
Phone: 44.20.8601.7200

PANDUIT SINGAPORE PTE. LTD.
Republic of Singapore
cs-ap@panduit.com
Phone: 65.6305.7575

PANDUIT JAPAN
Tokyo, Japan
cs-japan@panduit.com
Phone: 81.3.6863.6000

PANDUIT LATIN AMERICA
Guadalajara, Mexico
cs-la@panduit.com
Phone: 52.33.3777.6000

PANDUIT AUSTRALIA PTY. LTD.
Victoria, Australia
cs-aus@panduit.com
Phone: 61.3.9794.9020

For a copy of Panduit product warranties, log on to www.panduit.com/warranty

For more information

Visit us at www.panduit.com

Contact Customer Service by email: cs@panduit.com
or by phone: 800.777.3300 and reference OTSP20

PANDUIT®

©2011 Panduit Corp.
ALL RIGHTS RESERVED.

WW-OTSP20

7/2011