



MICRO MATE CONNECTOR  
ISDF SERIES (CC03X)

Rev. Date: 2/27/2008

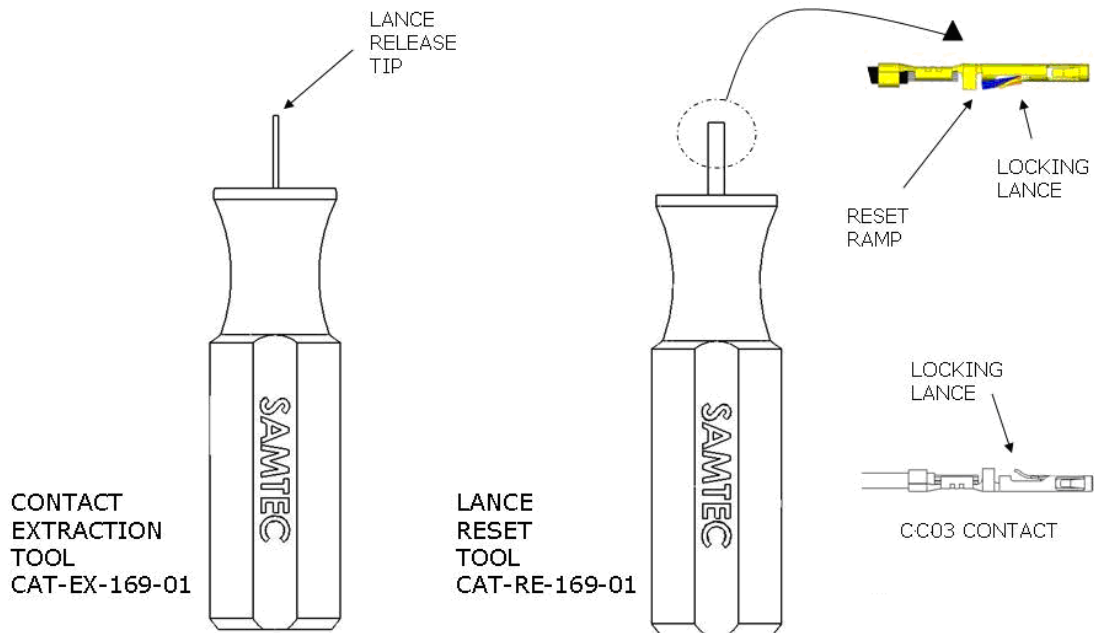


FIGURE 1

1. INTRODUCTION

Contacts can be safely removed from a housing cavity and reinserted into a new position by using the extraction tooling shown in **Figure 1**. This instruction sheet covers the use of the SAMTEC Extraction Tool CAT-EX-169-01 and Lance Reset Tool CAT-RE-169-01. These tools are intended to aid in the removal of the C-203, Micro Mate contacts from housings and reset the lance position of the removed contact.

2. CUSTOMER SERVICE

Further tooling and product application assistance is available by contacting the **Samtec Application Service Line-( 1-800-SAMTEC9)** 8:00 AM to 5:00 eastern time. To expedite your inquiry, have the pertinent part numbers for the product and tooling.

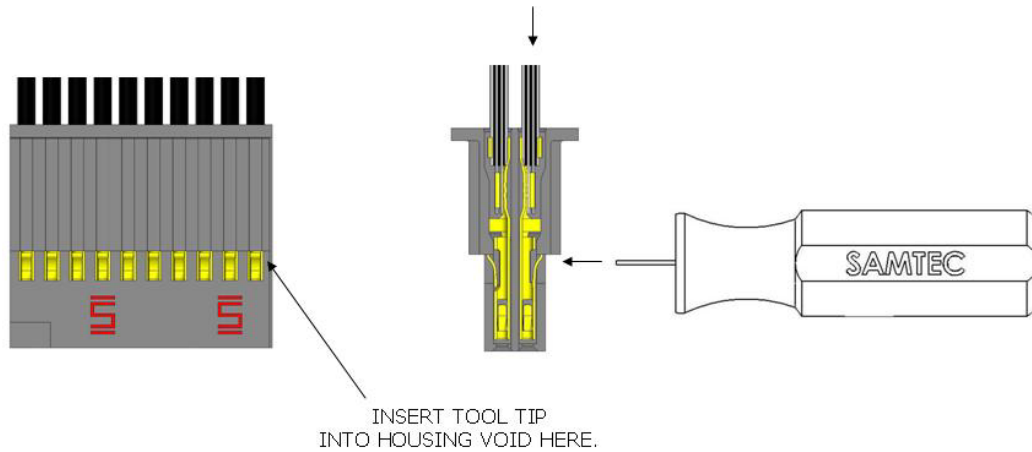
3. DESCRIPTION

Each tool handle is marked with the contact number for which it was designed. Make sure it matches the product numbers you are working with.

The Micro Mate contact has a retaining lance that can be released through an access cavity located on the top and bottom of the housing as shown in **Figure 2**. The Extraction Tool is inserted into the cavity to depress the lance the correct amount for contact removal.

**CAUTION-** Do not use any unintended tools to release the lance. This can cause damage to the lance and weaken its ability to retain the reinserted contact in the housing.

The lance reset tool is used to adjust the height of the contact lance height, if necessary, after extraction. This assures that the lead retention force will be correct after reinsertion.

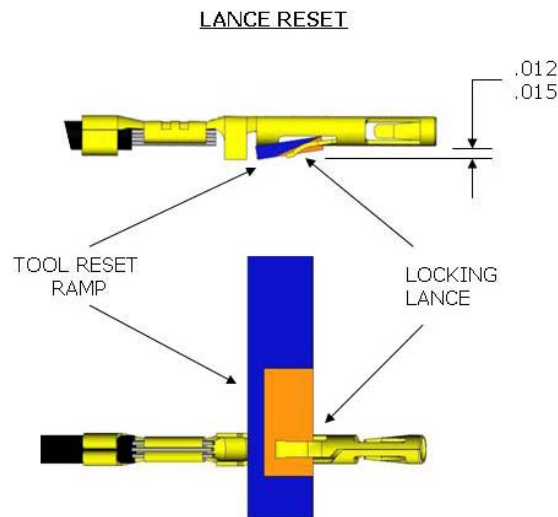


**FIGURE 2**

**4. EXTRACTION PROCEDURE**

The following steps are recommended:

1. Push the desired lead forward in its cavity towards the mating face. This will provide clearance for the lance to be depressed.
2. From the top or bottom of the housing insert the Extraction Tool into the lance cavity as shown in **Figure 2**. This is typical for all contacts.
3. Maintain pressure against the locking lance then grip the lead and pull the contact from its cavity.



**FIGURE 3**



**MICRO MATE CONNECTOR  
ISDF SERIES (CC03X)**

Rev. Date: 2/27/2008

---

**5. LOCKING LANCE RESET PROCEDURE**

Before reinserting an extracted contact, it is necessary to check the lance height to assure the proper retention in the housing as shown in **Figure 3**. The lance height should be .012 to .015 high. If adjustment is necessary, proceed as follows:

1. Align the reset tool so that the ramp is facing the open portion of the locking lance.
2. Slide the reset ramp under the locking lance until the height appears to be correct.
3. Recheck the lance height. Repeat this setting procedure if necessary.

**6. CONTACT REINSERTION**

In all rows the locking lance must be **facing away from the central rib** to correctly engage the contact in the cavity. Push the contact straight into the cavity until an audible **click** is heard. Give the lead a light tug to confirm that the contact is locked in place.