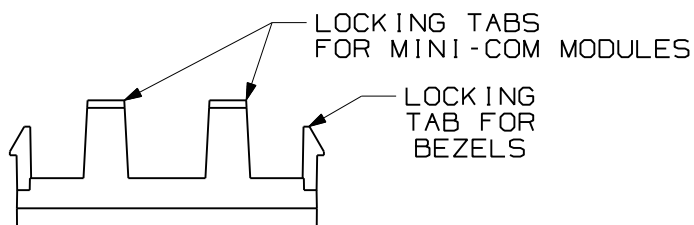


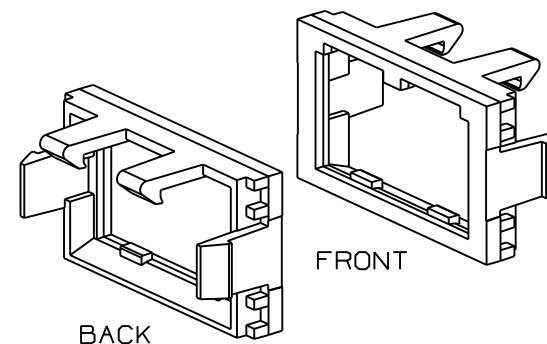
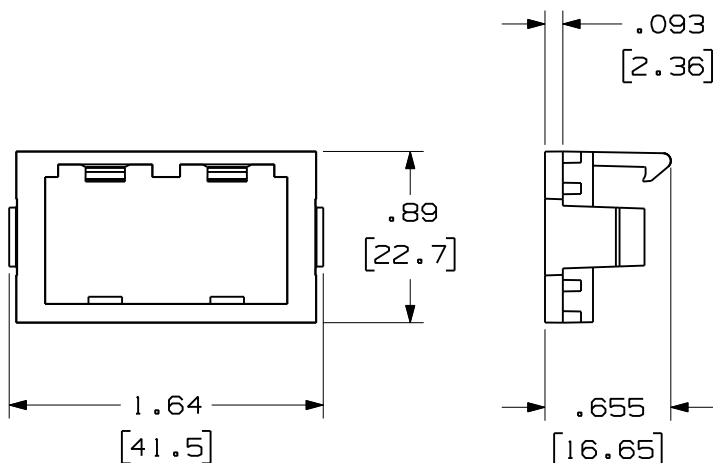
THIS COPY IS PROVIDED ON A RESTRICTED BASIS AND IS NOT TO BE USED IN ANY WAY DETRIMENTAL TO THE INTERESTS OF PANDUIT CORP.

PANDUIT P/N	WEIGHT
CHF2M**-X	.046 LB/10
1APHF2MWH-X	20.7 g/10



NOTES:

1. SEE CURRENT CATALOG FOR ADDITIONAL PART NUMBER SUFFIXES TO INDICATE COLOR AND OR PACKAGE QUANTITY.
2. IS TO BE USED WITH THE MINI-COM BEZELS AND MINI-COM MODULES.
3. DIMENSIONS IN PARENTHESES ARE IN METRIC.



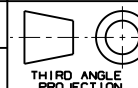
MODEL FILENAME	SIZE
DRAWING FILENAME	A

1/3 SIZE FLAT MODULE
INSERT
CUSTOMER DRAWING

PANDUIT[®]
TINLEY PARK, IL 60487

I.I. NUMBER
PRODUCT SPEC/ PKG SPEC
ASSY METHOD/ TEST METHOD
SCALE
PART NO.
DRAWING NO.

ALL DIMENSIONS ARE GIVEN IN INCHES, UNLESS OTHERWISE SPECIFIED.
DIMENSIONAL TOLERANCES ARE:
(.X) ± (.XXX) ±.010(.3)
(.XX) ±.03(.8) ANGLES ±



THIRD ANGLE PROJECTION	DRAWN BY	REVIEW DRAWING NUMBERS
	RCA	
	DATE	
	1-17-97	
CHK'D	MAT'L	
CEF	ABS	

REV	DATE	BY	CHK	DESCRIPTION	ECN	R	CUST	SUP	OTH
2	6-6-11	BJN	JCO	B. ADDED SUPPLEMENTAL P/N 1APHF2MWH-X	35544-27	JCO	JCO		
1	9-11-97	RCA	CEF	A. REV'D DWG TITLE WAS 1/3-TWO POSITION FLAT INSERT.	35544-27	CEF	CEF		
R	1-17-97	RCA	CEF	RELEASED TO PRODUCTION	35544-27	CEF			

Mouser Electronics

Authorized Distributor

Click to View Pricing, Inventory, Delivery & Lifecycle Information:

Panduit:

[CHF2MBL-X](#) [CHF2MEI-X](#) [CHF2MIG-X](#) [CHF2MWH-X](#) [CHF2MAW-X](#)