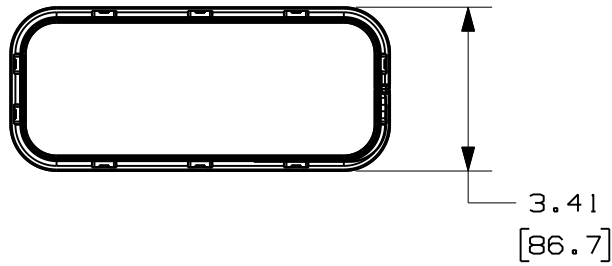


THIS COPY IS PROVIDED ON A RESTRICTED BASIS AND IS NOT TO BE USED IN ANY WAY DETRIMENTAL TO THE INTERESTS OF PANDUIT CORP.

PANDUIT PART NUMBER	WEIGHT
CTG3X8	.20 LBS/EACH 90.7 GRAMS/EACH



**NOTES:**

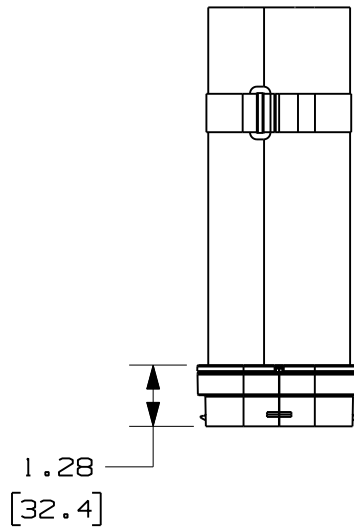
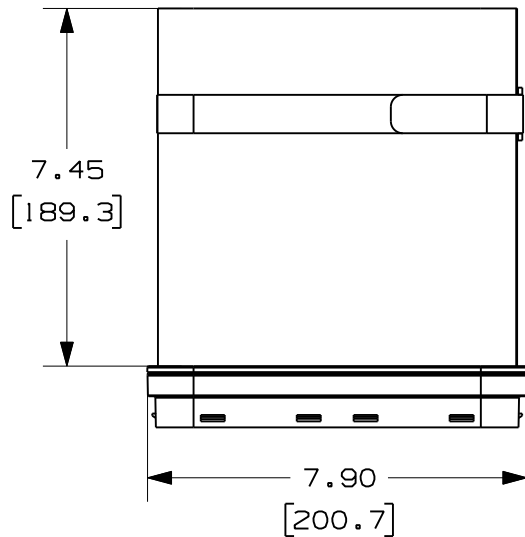
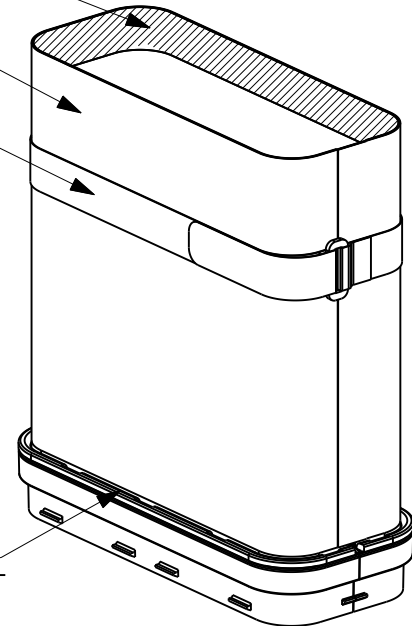
1. FOR USE WITH BOTH Net-SERV AND Net-Access CABINETS
2. USED TO SEAL OFF 3" X 8" CABINET TOP OPENINGS WHEN CABLES ARE ROUTED THROUGH THE TOP OF THE CABINET.
3. FINISH COLOR: BLACK
4. DIMENSION IN PARENTHESES ARE IN METRIC

HOOK AND LOOP SEALING STRIP

AIRTIGHT FABRIC SLEEVE

ULTRA CINCH TIE

SNAP-IN BEZEL (FOR 3" X 8" CABINET TOP OPENING)



CAD FILENAME/LAYERS 09D043AK\_DC/00A CTG3X8

PANDUIT CORP. TINLEY PARK, ILLINOIS

COOL BOOT CABINET TOP  
AIR SEALING FITTING (CTG3X8)  
CUSTOMER DRAWING

UNLESS OTHERWISE SPECIFIED,  
DIMENSIONAL TOLERANCES ARE:  
(.X) ± .03 (.XXX) ± .05  
(.XX) ± .03 (.8) ANGLES ±

UNLESS OTHERWISE SPECIFIED,  
ALL DIMENSIONS ARE GIVEN  
IN INCHES, THIRD ANGLE PROJECTION.

DRAWN BY JAHA

MAT'L:

SCALE NONE

DATE 01/26/10

SEE NOTE ABOVE

DRAWING NO.

DWG  
A  
SIZE

REV	DATE	BY	CHK	DESCRIPTION	ECN	R	CUST	SUP
R	1-26-10	JAHA	SL	RELEASED TO PRODUCTION	09D043AK-DC	RN	RN	

09D043AK-DC

# Mouser Electronics

Authorized Distributor

Click to View Pricing, Inventory, Delivery & Lifecycle Information:

[Panduit:](#)

[CTG3X8](#)