

Mini-Com® Multi-Media/ Fiber Surface Mount Boxes

specifications

Multi-media/fiber surface mount boxes shall be available in 6-port and 12-port options and shall include a built-in spool with a unique design that secures cable in place and can store up to 24 meters of buffered fiber optic cable. Box includes side and rear knockouts for cable entry. The cover shall include a label pocket with label and label cover which conceals the screw that secures the cover to the base. Boxes shall mount easily with supplied adhesive or mounting screws. 6-port box shall include icon slots above the ports.



technical information

| | |
|-------------------------------|---|
| Mounting options: | Mounts to a single gang, double gang, or DIN size opening with supplied screws or double-side adhesive tape for a variety of surfaces |
| Fiber spool capacity: | 78.8 feet (24m) of buffered fiber optic cable |
| Raceway compatibility: | CBXF6-LD3/LDPH3; LD5/LDPH5 CBXF12-LD3/LDPH3; LD5/LDPH5; LD10/LDPH10 |
| Material: | ABS |
| Packaging: | Supplied with cable ties, adhesive tape, label/label cover, screw cover, mounting screws, and screw to secure cover to base |

key features and benefits

| | |
|-----------------------------|---|
| Modular | Accepts Mini-Com® Modules for copper, fiber, and A/V applications (Note: not compatible with couplers CC5E88** and CC688**.) |
| Built-in fiber spool | Meets requirements for spooling and securing fiber cable |
| Raceway breakouts | Side and rear breakouts provide multiple options for cable routing |
| Identification | Label and label cover allow easy identification of ports; optional adhesive labels available; optional label kits available for TIA/EIA-606A compliance; CBXF6**-AY includes icon slots that accept icons for easy identification |
| 12-port density | More capacity for high density applications |

applications

The multi-media/fiber surface mount boxes allow Mini-Com® Modules to be mounted on a wall, filing cabinet, modular furniture, or underside of a workstation. Raceway breakouts and the opening in the bottom of the base make cable routing easy.

The high-density 12-port surface mount box can be used as a Multi-User Telecommunications Outlet Assembly

(MuTOA). This allows several workstations to be serviced from one centralized connection point. Patch cords are routed from the surface mount box directly to the work area equipment, where moves, adds, and changes can be handled with ease. The captive fiber spool accommodates the spooling of fiber cable in multi-media applications.

Multi-Media/Fiber Surface Mount Boxes

6-module space with icon slots CBXF6**-AY

12-module space CBXF12**-AY

Label Options

Laser/Ink Jet: C379X030FJJ

TDP43ME: C379X030YPT

Panther™ LS8E: C379X030FJC

Cougar™ LS9: T031X000FJC-BK

Accessories

Screw cover: CSC**-X

Label/label cover kit: CSGLLC-L

Label/label cover kit with screws: EFPK-XY

Icons, phone: CIP^~C

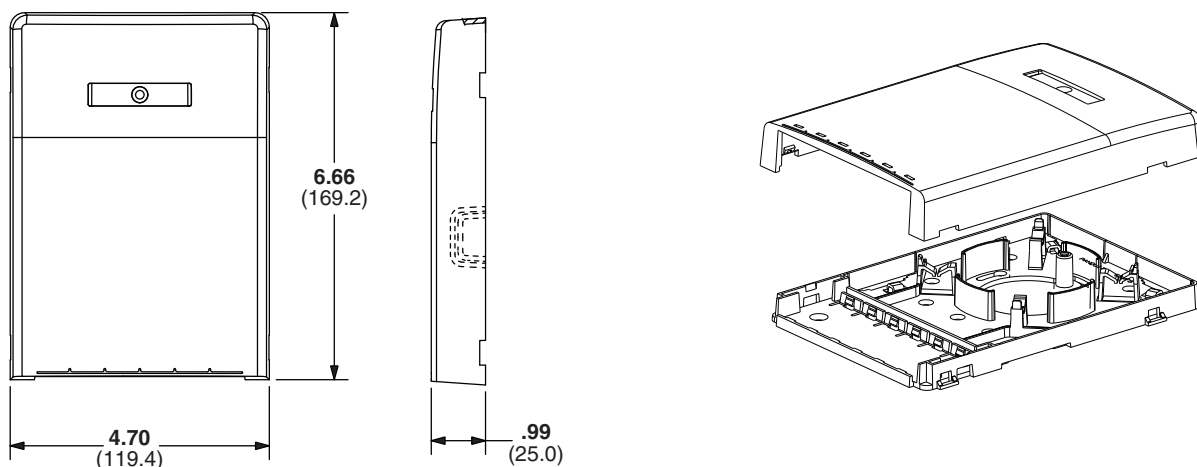
Icons, data: CID^~C

**To designate color, replace ** with BL (Black), EI (Electric Ivory), IG (International Gray), IW (Off White), WH (White), or AW (Arctic White).

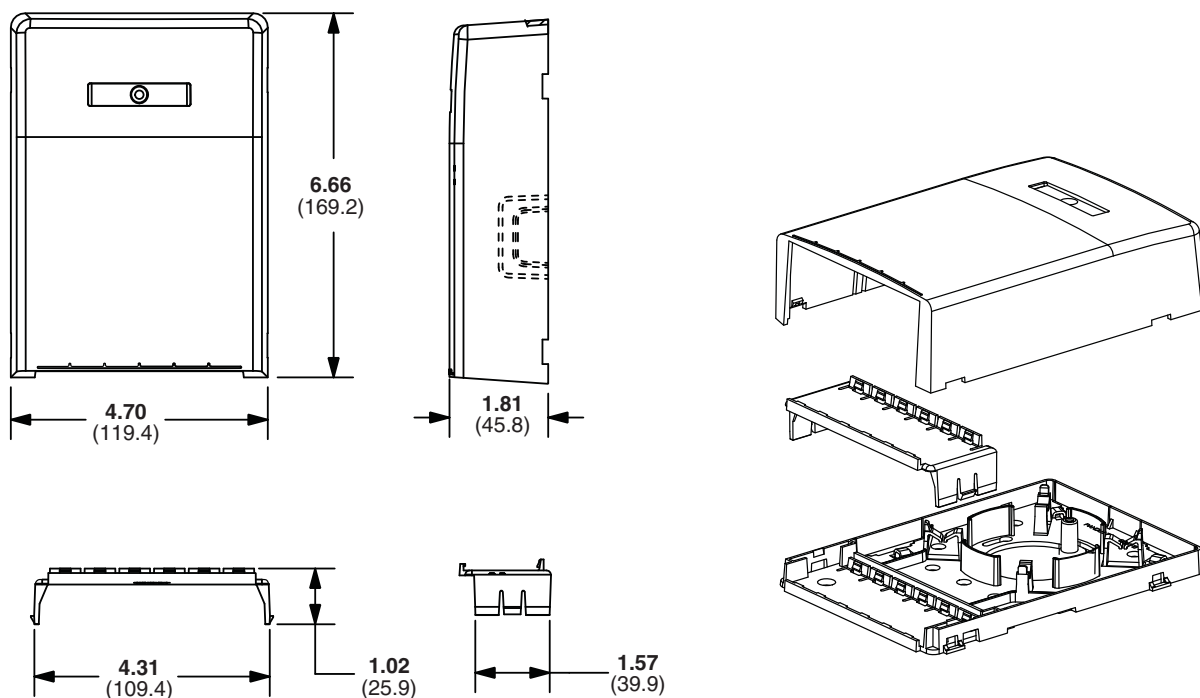
^To designate color, replace ^ with color designation: AW (Arctic White), IG (International Gray), BL (Black), EI (Electric Ivory), WH (White), IW (Off White), BU (Blue), GR (Green), OR (Orange), RD (Red), VL (Violet), or YL (Yellow).

Mini-Com® Multi-Media/Fiber Surface Mount Boxes

6 module space multi-media/fiber box



12 module space multi-media/fiber box



WORLDWIDE SUBSIDIARIES AND SALES OFFICES

PANDUIT CANADA
Markham, Ontario
cs-cdn@panduit.com
Phone: 800.777.3300

PANDUIT EUROPE LTD.
London, UK
cs-emea@panduit.com
Phone: 44.20.8601.7200

PANDUIT SINGAPORE PTE. LTD.
Republic of Singapore
cs-ap@panduit.com
Phone: 65.6305.7575

PANDUIT JAPAN
Tokyo, Japan
cs-japan@panduit.com
Phone: 81.3.6863.6000

PANDUIT LATIN AMERICA
Guadalajara, Mexico
cs-la@panduit.com
Phone: 52.33.3777.6000

PANDUIT AUSTRALIA PTY. LTD.
Victoria, Australia
cs-aus@panduit.com
Phone: 61.3.9794.9020

For a copy of Panduit product warranties, log on to www.panduit.com/warranty

For more information

Visit us at www.panduit.com

Contact Customer Service by email: cs@panduit.com
or by phone: 800.777.3300 and reference OTSP26

PANDUIT®

©2011 Panduit Corp.
ALL RIGHTS RESERVED.

WW-OTSP26

9/2011

Mouser Electronics

Authorized Distributor

Click to View Pricing, Inventory, Delivery & Lifecycle Information:

Panduit:

[CBXF6EI-AY](#) [CBXF6IG-AY](#) [CBXF6AW-AY](#) [CBXF6BL-AY](#) [CBXF6WH-AY](#)