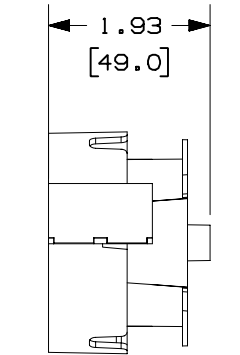


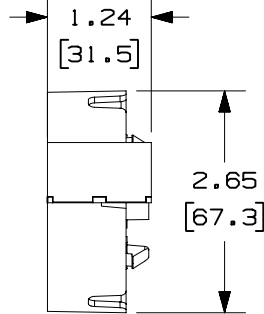
THIS COPY IS PROVIDED ON A RESTRICTED BASIS AND IS NOT TO BE USED IN ANY WAY DETRIMENTAL TO THE INTERESTS OF PANDUIT CORP.

PANDUIT P/N	WEIGHT
CFS2**	.77 LB/10 PCS (350 g/10 PCS)

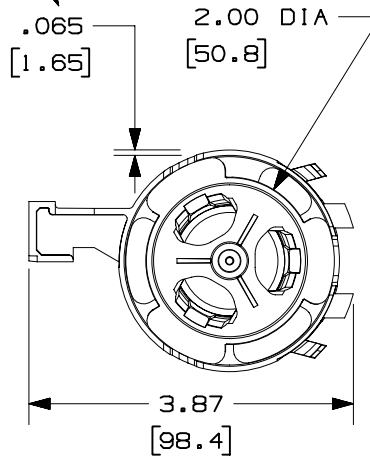
WALL THICKNESS



VIEW OF
PRE-LOADING
SPOOLING STAGE

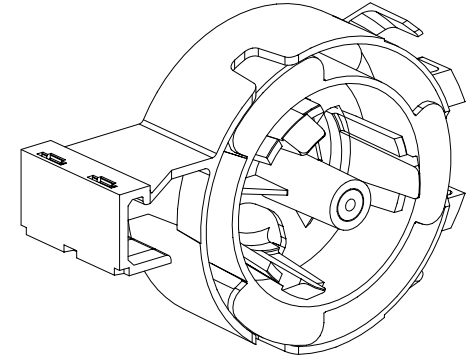


VIEW OF
SPOOL INSERTED



NOTES:

- ** 1. SEE CURRENT CATALOG FOR ADDITIONAL PART NUMBER SUFFIXES TO INDICATE COLOR AND OR PACKAGE QUANTITY.
- 2. SEE CATALOG FOR COMPLETE LIST OF PARTS APPLICABLE FOR USE WITH THIS PART.
- 3. DIMENSIONS IN PARENTHESES ARE IN METRIC.
- 4. SEE CURRENT CATALOG FOR VARIOUS MINI-COM PATCH PANELS, INSERTS, FACEPLATES, AND BEZELS THAT THE FIBER-SPOOL ACCEPTS.



CAD FILENAME/LAYERS M35654BA_DC_00A.PRT

PANDUIT CORP. TINLEY PARK, ILLINOIS

MINI-COM FIBER SPOOL
(CFS2**) CUSTOMER DRAWING

UNLESS OTHERWISE SPECIFIED,
DIMENSIONAL TOLERANCES ARE:
(.X) ± (.XXX) ±.010(.3)
(.XX) ±.03(.8) ANGLES ±

UNLESS OTHERWISE SPECIFIED,
ALL DIMENSIONS ARE GIVEN
IN INCHES, THIRD ANGLE PROJECTION.

DRAWN BY
JBA

MAT'L:

SCALE
NONE

DATE
11-25-97

ABS

DRAWING NO.
35654-03

DWG
A
SIZE

REV	DATE	BY	CHK	DESCRIPTION	ECN	CHK	CUST	SUP
R	11-25-97	JBA		RELEASED TO PRODUCTION.	35654-03			

Mouser Electronics

Authorized Distributor

Click to View Pricing, Inventory, Delivery & Lifecycle Information:

[Panduit:](#)

[CFS2BL](#) [CFS2EI](#) [CFS2WH](#) [CFS2AW](#) [CFS2IW](#) [CFS2IG](#)