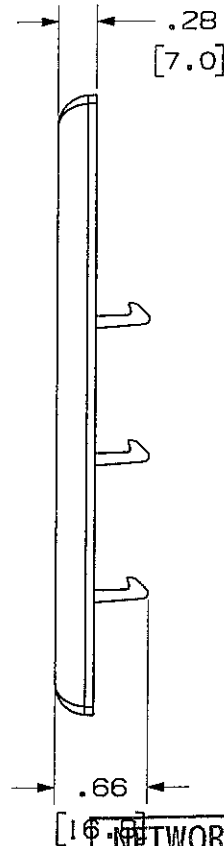
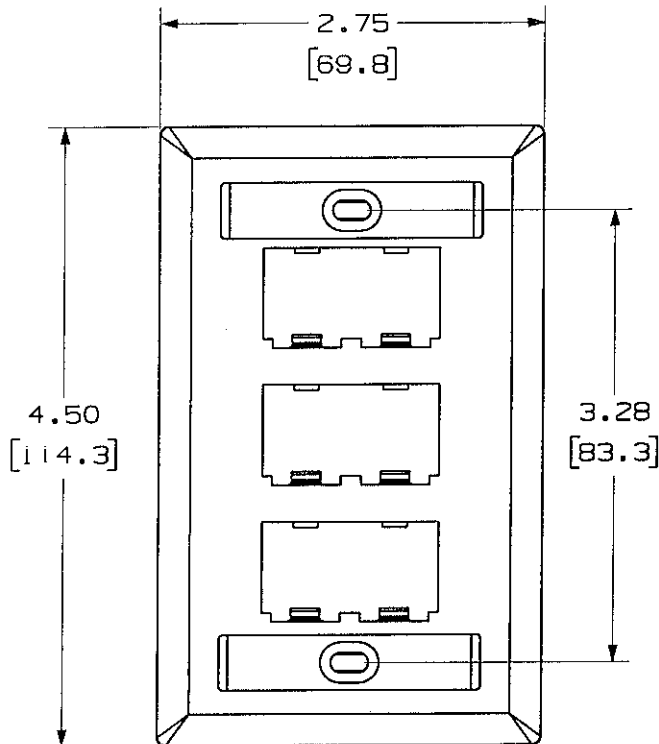
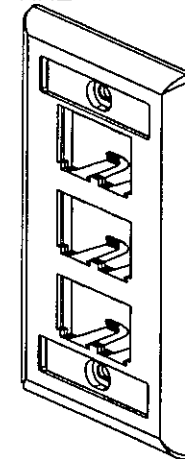


THIS COPY IS PROVIDED ON A RESTRICTED BASIS AND IS NOT TO BE USED IN ANY WAY DETRIMENTAL TO THE INTERESTS OF PANDUIT CORP.

PANDUIT P/N	WEIGHT
CFPL6**Y	.56 LB/10 PCS. (253.8 G/10 PCS.)

- NOTES:
- SEE CURRENT CATALOG FOR ADDITIONAL PART NUMBER SUFFIXES TO INDICATE COLOR AND OR PACKAGE QUANTITY.
  - SEE CATALOG FOR COMPLETE LIST OF PARTS APPLICABLE FOR USE WITH THIS PART.
  - PART INCLUDES:
    - 1- FACEPLATE
    - 2- MOUNTING SCREW
    - 2- LABEL
    - 2- LABEL COVER
  - DIMENSIONS IN [ ] ARE IN METRIC.



NETWORK SYSTEMS  
MAY 25 2006  
ENGINEERING DEPT

MODEL FILENAME	M00734BD_3POS_VERT_00.PRT	SIZE	A
DRAWING FILENAME	M02479EE_DC112_00A.PRT		
MINI-COM 6 POSITION VERTICAL FACEPLATE WITH LABEL CUSTOMER DRAWING			
	PANDUIT <sup>TM</sup> CORP. TINLEY PARK, ILL 60477	1.1. NUMBER	N/A
	THIRD ANGLE PROJECTION	PRODUCT SPEC	N/A
ALL DIMENSIONS ARE GIVEN IN INCHES, UNLESS OTHERWISE SPECIFIED. DIMENSIONAL TOLERANCES ARE: (.X) ± (.XXX) ± .010(.3) (.XX) ± .001(.01) ANGLES ±		WORK INSTRUCTION	N/A
DRAWN BY	JsP	SCALE	NONE
DATE	4-26-06	PART NO.	CFPL6**Y
REV		MATERIAL	ABS
DESCRIPTION	RELEASED TO PRODUCTION	DRAWING NO.	02479-112

REV	DATE	BY	CHK	DESCRIPTION	ECN	R	CUST	SUP	OTH
R	4-26-06	JsP	<i>MM</i>	RELEASED TO PRODUCTION	02479-112	<i>MM</i>	<i>MM</i>		