

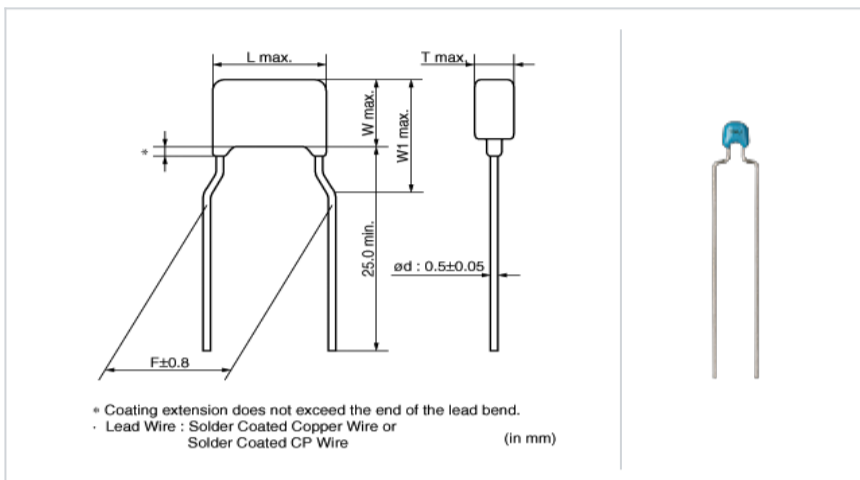
# RDE5C1H391J0K1C03B

" # " indicates a package specification code.

- Recommended
- Flow OK
- Complies with RoHS
- Anti-noise
- Deflecting crack
- Soldering crack

< List of part numbers with package codes >  
RDE5C1H391J0K1C03B

## Shape



L size or outer diameter D (mm)	4.0 mm max.
W size	3.5 mm max.
T size	2.5 mm max.
Lead spacing F	5 ± 0.8mm
Lead diameter d	0.5 ± 0.05mm
W1 size (max.)	6.0mm

## References

Packaging	Specifications	Minimum quantity
	Packing in bulk	500

## Specifications

Capacitance	390pF ± 5%
Rated voltage	50Vdc
Temperature characteristics (complied standard)	COG(EIA)
Temperature coefficient	0 ± 30ppm/
Temperature range of temperature characteristics	25 to 125
Operating temperature range	-55 to 125

### ⚠ Attention

- This datasheet is downloaded from the website of Murata Manufacturing Co., Ltd. Therefore, it ' s specifications are subject to change or our products in it may be discontinued without advance notice. Please check with our sales representatives or product engineers before ordering.
- This datasheet has only typical specifications because there is no space for detailed specifications. Therefore, please review our product specifications or consult the approval sheet for product specifications before ordering.