

NOTES:

I. MATERIAL:

- A. BODY; PHOSPHOR BRONZE PER QQ-B-750.
- B. CAPTIVE SCREW; STAINLESS STEEL PER QQ-S-763, 300 SERIES.
- C. CLAMP INSERT; FLUOROSILICONE ELASTOMER PER MIL-R-25988.

2. FINISH:

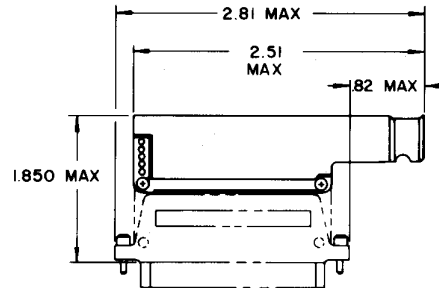
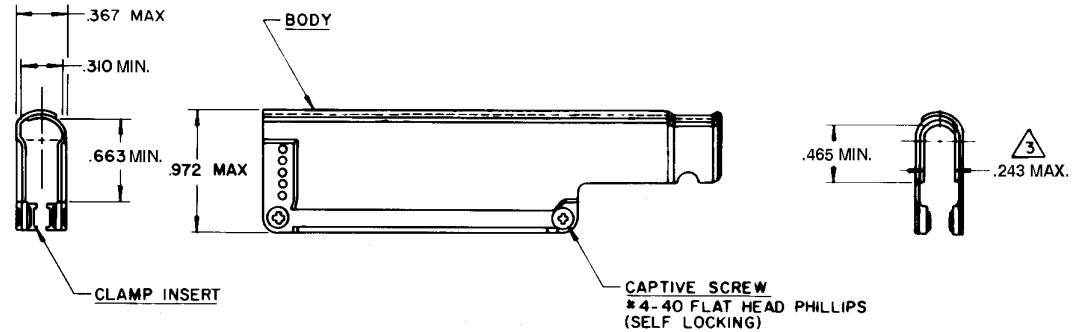
- A. BODY; TIN PLATED PER MIL-T-10727 OVER NICKEL PER MIL-C-26074.
- B. CAPTIVE SCREW; CADMIUM PLATED PER QQ-P-416 OVER NICKEL UNDERPLATE

3. WHEN SCREWS ARE TIGHTENED TO ACHIEVE 0.1 INCH SPACING BETWEEN SHELL HALVES (EAR THICKNESS) THIS DIMENSION SHALL BE 0.225 MIN.

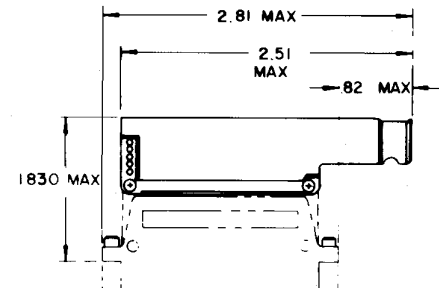
4. **Raychem** PART NUMBER CHA-0017-003 IS MARKED ON BACKSHELL PACKAGE.

5. THIS BACKSHELL IS FOR USE WITH **Raychem** MTC SERIES CONNECTORS. 1" PLUG OR 1" RECEPTACLE AS SHOWN. FURTHERMORE IT IS FOR USE ON CADMIUM PLATED CONNECTORS WHERE 500 HOURS SALT SPRAY RESISTANCE IS REQUIRED.

	A	REVISED PER ECN# T- 6234	6-3-24 86	-73
	B	REVISE PER CDR# T-28877	3/27/2001	M.HIGGY



1 INCH PLUG ASSY
INSTALLATION DATA
REF



1 INCH RECEPTACLE ASSY
INSTALLATION DATA
REF

SPECIFICATION CONTROL DRAWING

If this document is printed it becomes uncontrolled.
Check with the web for latest revision.

DO NOT SCALE THIS DRAWING

UNLESS OTHERWISE SPECIFIED DIMENSIONS ARE IN INCHES. BRACKETED DIMENSIONS () ARE METRIC AND TOLERANCES ARE: .xxx ± — (—) .xx ± — (—) Δ ± —	DRAWN	LUTTICKEN	TYCO/ELECTRONICS/RAYCHEM WIRE AND HARNESSING PRODUCTS 307 CONSTITUTION DRIVE MENLO PARK, CALIFORNIA 94025
	CHECKED		
	APPROVED	<i>[Signature]</i> 2-17-86	
	APPROVED	<i>[Signature]</i> 2-28-86	
CAD FILE: T28877.TIF			TITLE
RPN: 054343-000			RIGHT ANGLE BREAKOUT BACKSHELL ASSY (FOR CADMIUM PLATED CONNECTORS) 1 INCH MTC
SIZE C		CODE IDENT NO 06090	DWG NO CHA-0017-003
WEIGHT		SHEET 1 OF 1	