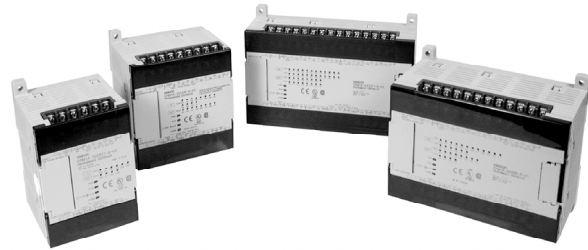


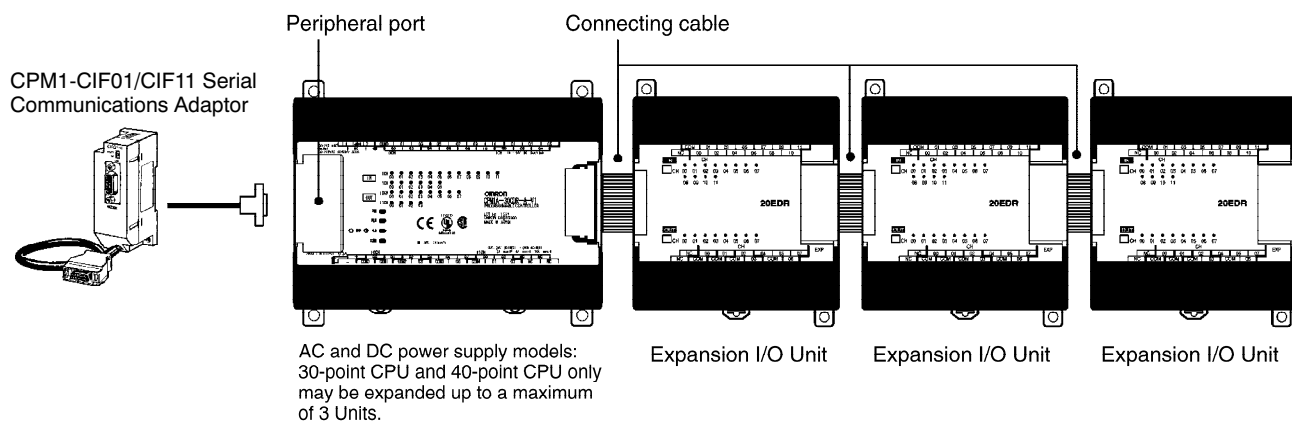
Micro Programmable Controller CPM1A

The CPM1A series micro controllers solve both basic and semi-complex applications. The brick style models include DC inputs/transistor or relay outputs to meet your design requirements. The base I/O for the CPUs ranges from 10, 20, 30, and 40 I/O points with maximum expansion to 100 I/O. Specialized expansion modules include mixed analog I/O, temperature sensor inputs and serial communications.



- 10, 20, 30 and 40 point I/O CPUs
- Expandable up to 100 I/O points
- Peripheral communications port built in
- DC input models
- Analog expansion modules available
- Temperature sensor input expansion modules available
- Auxiliary 24 VDC supply (AC type only)
- Relay or Transistor outputs
- UL, CSA, CE approvals

Basic Configuration



Ordering Information

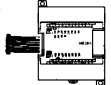
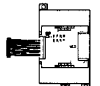
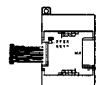
■ CPU

Stock Note: Shaded models are normally stocked.

Number of I/O terminals	Inputs	Outputs	Power supply	Part number		
				Relay output	Transistor output	
					Sink type	Source type
10	6 DC points	4 points	AC	CPM1A-10CDR-A-V1	CPM1A-10CDT-A-V1	CPM1A-10CDT1-A-V1
			DC	CPM1A-10CDR-D-V1	CPM1A-10CDT-D-V1	CPM1A-10CDT1-D-V1
20	12 DC points	8 points	AC	CPM1A-20CDR-A-V1	CPM1A-20CDT-A-V1	CPM1A-20CDT1-A-V1
			DC	CPM1A-20CDR-D-V1	CPM1A-20CDT-D-V1	CPM1A-20CDT1-D-V1
30	18 DC points	12 points	AC	CPM1A-30CDR-A-V1	CPM1A-30CDT-A-V1	CPM1A-30CDT1-A-V1
			DC	CPM1A-30CDR-D-V1	CPM1A-30CDT-D-V1	CPM1A-30CDT1-D-V1
40	24 DC points	16 points	AC	CPM1A-40CDR-A-V1	CPM1A-40CDT-A-V1	CPM1A-40CDT1-A-V1
			DC	CPM1A-40CDR-D-V1	CPM1A-40CDT-D-V1	CPM1A-40CDT1-D-V1

■ EXPANSION I/O MODULES

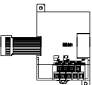


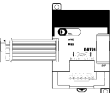
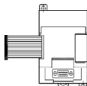
Stock Note: Shaded models are normally stocked.

Description	Max. number of modules	Inputs	Outputs	Part number
20 I/O points 12 inputs, 8 outputs 	3 max. (See Note.)	24 VDC	Relays	CPM1A-20EDR1
		24 VDC	Sinking transistors	CPM1A-20EDT
		24 VDC	Sourcing transistors	CPM1A-20EDT1
8 inputs 	3 max. (See Note.)	24 VDC	—	CPM1A-8ED
8 outputs 		—	Relays	CPM1A-8ER
		—	Sinking transistors	CPM1A-8ET
		—	Sourcing transistors	CPM1A-8ET1

Note: A maximum of 3 expansion modules can be used with the following CPUs: 30-point and 40-point with DC inputs.

■ DEDICATED I/O MODULES

Stock Note: Shaded models are normally stocked.

Description		Max. number of modules	Inputs	Outputs	Part number
Analog I/O Module 2 analog inputs (2 words) 1 analog output (1 word) 		3 max.	2 analog inputs	1 analog output	CPM1A-MAD01
					CPM1A-MAD11
Temperature Sensor Input Modules 	Thermocouple inputs	3 max.	2 inputs (Types J and K)	—	CPM1A-TS001
		1 max. (See Note.)	4 inputs (Types J and K)	—	CPM1A-TS002
	Platinum resistance thermometer inputs	3 max.	2 inputs (Pt100, JPt100)	—	CPM1A-TS101
		3 max.	2 inputs (Pt100, JPt100)	1 analog output	CPM1A-TS101-DA
		1 max. (See Note.)	4 inputs (Pt100, JPt100)	—	CPM1A-TS102
		3 max.	2 inputs (Pt100, JPt100)	1 analog output	CPM1A-TS102-DA
CompoBus/S I/O Link Module 8 inputs and 8 outputs 		3 max.	8 bits (Inputs from the Master.)	8 bits (Outputs to the Master.)	CPM1A-SRT21
			Flat cable, 4-core, 0.75 mm ² ; 100 m length		SCA1-4F10
			Twisted pair cable, 2-core, 0.75 mm ² ; available commercially		Belden #9409 cable
DeviceNet I/O Link Module 32 inputs and 32 outputs 		3 max.	32 bits (Inputs from the Master.)	32 bits (Outputs to the Master.)	CPM1A-DRT21
			Omron connector with screws (included with DeviceNet I/O Link Module).		XW4B-05C1-H1-D
			Omron Connector for multidrop connections using thick cables.		XW4B-05C4-TF-D
Profibus-DP Slave Module 16 inputs and 16 outputs 		3 max.	16 bits (Inputs from the Master.)	16 bits (Outputs to the Master.)	CPM1A-PRT21
			Shielded twisted pair cable, available commercially		Belden #3079A cable

Note: Only one CPM1A-TS002/TS102 Temperature Sensor Input Module can be connected to the CPU. If a CPM1A-TS002/102 is connected to the CPU, only one additional Special I/O Module (other than a CPM1A-TS002/102) or one Expansion I/O Module can be connected to the CPU.

■ PERIPHERAL DEVICES

Stock Note: Shaded models are normally stocked.

Product	Description	Part number
Programming console	Hand-held programming console with cable attached, 2 m length	CQM1-PRO01-E
	Hand-held programming console with back light (cable not included)	C200H-PRO27-E
Connecting cable	Connects C200H programming console to peripheral port, 2 m length	C200H-CN222
	Connects C200H programming console to peripheral port, 4 m length	C200H-CN422


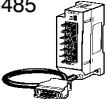
■ SUPPORT SOFTWARE

Stock Note: Shaded models are normally stocked.

Product	Functions	Part number
CX-Programmer Jr.	Windows-based programming software; reduced instruction set and networking commands.	WS02-CXPC1-EJ-V__
CX-Programmer	Full programming software package programs micro, small and larger controllers.	WS02-CXPC1-E-V__

■ COMMUNICATIONS ADAPTERS AND CABLES

Stock Note: Shaded models are normally stocked.

Description	Function	Part number
RS-232C adapter 	Converts data communications from peripheral port for RS-232C devices.	CPM1-CIF01
RS-232C cable	RS-232C to RS-232C; PC connection for program download; cable length 2 m	C200H-CN229-EU
		CBL-202*
	RS-232C to RS-232C for PLC communication; cable length 2 m	C200H-CN320-EU
		CBL-804*
Communication cable for NT31C (port B only)	50 cm	NT31C-CN510-EU
	3 m	NT31C-CN320-EU
	5 m	NT31C-CN520-EU
RS-422/RS-485 adapter 	Converts data communications from peripheral port for RS-422/RS-485 devices.	CPM1-CIF11

* Available in Canada only.

■ PROGRAM TRANSFER EQUIPMENT

Stock Note: Shaded models are normally stocked.

Product	Description	Part number
Expansion Memory Unit	Uploads and downloads program and setup memory areas to and from the controller.	CPM1-EMU01-V1
EEPROM (256 kbits)	Used with the Expansion Memory Unit	EEPROM-CPM1-EMU01

■ MANUALS

Product	Description	Part number
Operation manual	CPM1A programmable controllers operation manual	W317
Programming manual	CPM1/CPM1A/CPM2A/CPM2C/SRM1(-V2) programming manual	W353

Specifications

■ GENERAL SPECIFICATIONS

Input type		DC input			
CPU type		10-point I/O	20-point I/O	30-point I/O	40-point I/O
Power supply voltage/frequency	AC power supply	100 to 240 VAC, 50/60 Hz			
	DC power supply	24 VDC			
Operating voltage range	AC power supply	85 to 264 VAC			
	DC power supply	20.4 to 26.4 VDC			
Power consumption	AC power supply	30 VA max.		60 VA max.	
	DC power supply	6 W max.		20 W max.	
Inrush current		30 A max.		60 A max.	
External power supply (AC only)	Power supply voltage	24 VDC			
	Power supply output capacity	200 mA		300 mA	
Insulation resistance		20 MΩ min. at 500 VDC between the AC terminals and the protective earth terminal.			
Dielectric strength		2,300 VAC at 50/60 Hz for one minute with a leakage current of 10 mA max. between all the external AC terminals and the protective earth terminal.			
Noise resistance		Conforms to IEC61000-4-4, 2 kV (power lines) 1500 Vp-p, pulse width 0.1 to 1 μs, rise time: 1 ns (via noise simulation)			
Vibration resistance		10 to 57 Hz with an amplitude of 0.075 mm, and 57 to 150 Hz with an acceleration of 1.5 G in the X, Y, and Z directions for 10 sweeps of minutes each.			
Shock resistance		147 m/s ² in the X, Y and Z directions 3 times each.			
Ambient temperature	Operating	0°C to 55°C (32°F to 131°F)			
	Storage	-20°C to 75°C (-4°F to 167°F)			
Ambient humidity	Operating	10% to 90% RH no condensation			
Ambient environment	Operating	With no corrosive gas			
Terminal screw size		M3			
Power supply holding time		10 ms min. for AC models, and 2 ms min. for DC models			
CPU Weight	AC models	400 g max.	500 g max..	600 g max..	700 g max.
	DC models	300 g max.	400 g max.	500 g max.	600 g max.
Expansion Weight		Units with 20 I/O points:		300 g max.	
		Units with 8 output points:		250 g max.	
		Units with 8 input points:		200 g max.	
		MAD01 Analog I/O unit:		150 g max.	
		MAD11 Analog I/O unit:		250 g max.	
		Temperature sensor units:		250 g max.	
		CompoBus/S I/O link unit:		200 g max.	
		DeviceNet I/O link unit:		200 g max.	
		Profibus-DP slave unit:		125 g	

■ CHARACTERISTICS

Input type		DC input			
CPU type		10-point I/O	20-point I/O	30-point I/O	40-point I/O
Control method		Stored program method			
I/O control method		Combination of the cyclic scan and immediate refresh processing methods.			
Programming language		Ladder diagram			
Instruction word		1 step per instruction, 1 to 5 words per instruction			
Types of instructions	Basic instructions	14 types			
	Special instructions	79 types, 139 instructions			
Instruction execution time	Basic instructions	0.72 to 16.2 μs			
	Special instructions	MOV instruction = 16.3 μs			
Program capacity		2,048 words			
User data memory		1,024 words			
Maximum I/O points	CPU only	10 points (6 input/ 4 output points)	20 points (12 input/ 8 output points)	30 points (18 input/ 12 output points)	40 points (24 input/ 16 output points)
	With Expansion I/O Module	—	—	Up to 90 points (54 input/ 36 output points)	Up to 100 points (60 input/ 40 output points)
Memory protection		Maintains the contents of the HR, AR, Counter and Data Memory Areas.			
Memory backup		Flash memory: User program, data memory (Read only) and PLC setup area are backed up without a battery. Super capacitor: Data memory (Read/Write), holding bits, auxiliary memory bits, counter values, error log area are backed up by a capacitor for 20-days at an ambient temperature of 25°C.			
Self-diagnostic function		CPU error (watchdog timer), memory errors, I/O bus errors			
Program check		No END instruction programming errors (constantly checked during operation)			
Pulse output		1 point: 2 kHz			
High-speed counter		1 point: Single phase at 5 kHz or two-phase at 2.5 kHz (linear counting method) Incremental mode: 0 to 65535 (16-bit) Decremental mode: -32767 to 32767 (16-bit)			
Quick-response inputs		Together with the external interrupt input (minimum pulse width of 0.2 ms)			
Input time constant		Can be set at 1 ms, 2 ms, 4 ms, 8 ms, 16 ms, 32 ms, 64 ms, or 128 ms.			
Interrupt processing: External interrupt		2 points (Response time of 0.3 ms max.)	4 points (Response time of 0.3 ms max.)		
Analog settings		2 points: (0 to 200 BCD)			

■ I/O ALLOCATION

Input bits		00000 to 00915; words not used for input or output bits can be used for work bits.
Output bits		01000 to 01915; words not used for input or output bits can be used for work bits.
Work bits (IR Area)		512: IR 20000 to IR 23115 (IR 200 to IR 231)
Special bits (SR Area)		384: SR 23200 to SR 25515 (SR 232 to SR 255)
Temporary bits (TR Area)		8: TR 0 to TR 7
Holding bits (HR Area)		320: HR 0000 to HR 1915 (HR 00 to HR 19)
Auxiliary bits (AR Area)		256: AR 0000 to AR 1515 (AR 00 to AR 15)
Link bits (LR Area)		256: LR 0000 to LR 1515 (LR 00 to LR 15)
Timers/Counters		128: TIM/CNT 000 to 127 100-ms timer: TIM 000 to TIM 127 10-ms timer: TIM 000 to TIM 127 Decremental counter, reversible counter
Data memory	Read/Write	1,024 words (DM 0000 to DM 1023)
	Read only	512 words (DM 6144 to DM 6655)

I/O SPECIFICATIONS

CPU DC Input

Item	Specifications	Circuit
Input voltage	24 VDC +10%/-15%	<p>Note: The polarity of the input power supply can be either positive or negative.</p>
Input impedance	IN0000 to IN0002: 2 kΩ Others: 4.7 kΩ	
Input current (typical)	IN0000 to IN0002: 12 mA Others: 5 mA	
ON voltage	14.4 VDC min.	
OFF voltage	5.0 VDC max.	
ON delay (See Note 1)	1 to 128 ms max. (default: 8 ms) (See Note 1)	
OFF delay (See Note 1)	1 to 128 ms max. (default: 8 ms) (See Note 1)	

- Note: 1. The actual ON/OFF delay includes an input constant of 1, 2, 4, 8, 16, 32, 64, or 128 ms (default: 8 ms).
 2. When IN0000 to IN0006 are used for the high-speed counter inputs, the delays are as shown below:

Input	Increment mode	Differential phase mode
IN0000 (A-phase)	5 kHz	2.5 kHz
IN0001 (B-phase)	Normal input	
IN0002 (Z-phase)	ON: 100 μs max. OFF: 500 μs max.	
IN0003 to IN0006	0.3 ms max. (From the time of input ON until the interrupt subroutine is executed.)	

Expansion I/O Unit

Item	Specifications	Circuit
Input voltage	24 VDC, +10%/-15%	<p>Note: The polarity of the input power supply can be either positive or negative.</p>
Input impedance	4.7 kΩ	
Input current (typical)	5 mA	
ON voltage	14.4 VDC min.	
OFF voltage	5.0 VDC max.	
ON delay	1 to 128 ms max. (default: 8 ms) (See Note)	
OFF delay	1 to 128 ms max. (default: 8 ms) (See Note)	

Note: The actual ON/OFF delay includes an input constant of 1, 2, 4, 8, 16, 32, 64, or 128 ms (default: 8 ms).

OUTPUT SPECIFICATIONS (CPU AND EXPANSION I/O MODULES)

Relay Output

Item	Specifications	Circuit		
Maximum switching capacity	2 A, 250 VAC (cos φ = 1) 2 A, 24 VDC (4 A/common)	<p>Maximum 250 VAC: 2 A 24 VDC: 2 A</p>		
Minimum switching capacity	10 mA, 5 VDC			
Relay service life	Electrical		Resistance load	150,000 times
			Inductive load	100,000 times
	Mechanical			20 million times
ON delay	15 ms max.			
OFF delay	15 ms max.			

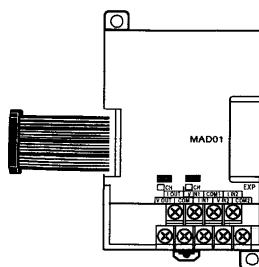
Transistor Outputs (Sinking)

Item	Specifications					
	CPM1A-10CDT-□(-V1)	CPM1A-20CDT-□(-V1)	CPM1A-30CDT-□(-V1)	CPM1A-40CDT-□(-V1)	CPM1A-20EDT	CPM1A-8ET
Max. switching capacity	24 VDC $+10\%/-15\%$, 0.3 A/point (See note)					4.5 to 30 VDC 0.2 A (See note 2.) 0.3 A (See note 3.)
	0.9 A/Unit	0.9 A/common 1.8 A/Unit	0.9 A/common 2.7 A/Unit	0.9 A/common 3.6 A/Unit	0.9 A/common 1.8 A/Unit	
Leakage current	0.1 mA max.					
Residual voltage	1.5 V max.					
ON delay	0.1 ms max.					
OFF delay	OUT01000/01001: 0.2 ms max. (load current: 100 to 300 mA) 0.5 ms max. (load current: 5 to 100 mA) Other than OUT01000/01001: 1 ms max. (load current 5 to 300 mA)				1 ms max. (24 VDC $+10\%/-15\%$, 5 to 300 mA)	
Fuse	V1 CPUs: No fuse Expansion I/O Units and Pre-V1 CPUs. 1.25 A/common (cannot be replaced by the user)					
Circuit configuration						

Transistor Outputs (Sourcing)

Item	Specifications					
	CPM1A-10CDT1-□(-V1)	CPM1A-20CDT1-□(-V1)	CPM1A-30CDT1-□(-V1)	CPM1A-40CDT1-□(-V1)	CPM1A-20EDT1	CPM1A-8ET1
Max. switching capacity	24 VDC $+10\%/-15\%$, 0.3 A/point (See note)					4.5 to 30 VDC 0.2 A (See note 2.) 0.3 A (See note 3.)
	0.9 A/Unit	0.9 A/common 1.8 A/Unit	0.9 A/common 2.7 A/Unit	0.9 A/common 3.6 A/Unit	0.9 A/common 1.8 A/Unit	
Leakage current	0.1 mA max.					
Residual voltage	1.5 V max.					
ON delay	0.1 ms max.					
OFF delay	OUT01000/01001: 0.2 ms max. (load current: 100 to 300 mA) 0.5 ms max. (load current: 5 to 100 mA) Other than OUT01000/01001: 1 ms max. (load current 5 to 300 mA)				1 ms max. (24 VDC $+10\%/-5\%$, 5 to 300 mA)	
Fuse	V1 CPUs: No fuse Expansion I/O Units and Pre-V1 CPUs. 1.25 A/common (cannot be replaced by the user)					
Circuit configuration						

Note: When using the OUT01000 or OUT01001 as a pulse output, connect dummy resistors as required to set the load current to 0.1 to 0.2 A. If the load current is below 0.1 A, the ON-to-OFF response time will become longer and high-speed pulse will not be output. On the other hand, if the load current is above 0.2 A, the transistor may generate heat and components may be damaged.

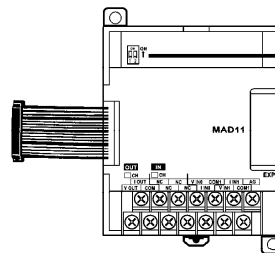


■ ANALOG I/O MODULE

CPM1A-MAD01 Specifications

Item		Specification	
Model		CPM1A-MAD01	
I/O type		Voltage	Current
Analog inputs	Number of inputs	2	
	Input signal range	0 to 10 V or 1 to 5 V	4 to 20 mA
	Maximum rated input	±15 V	±30 mA
	External input impedance	1 MΩ min.	250 Ω rated
	Resolution	1/256	
	Overall precision	1.0% of full scale	
	Converted A/D data	8-bit binary	
Analog output (See Note 1.)	Number of outputs	1	
	Output signal range	0 to 10 V or -10 to 10 V	4 to 20 mA
	External output max. current	5 mA	—
	External output allowed load resistance	—	350 Ω
	Resolution	1/256 (1/512 when the output signal range is -10 to 10 V.)	
	Overall precision	1.0% of full scale	
	Data setting	8-bit binary with sign bit	
Conversion time (See Note 2.)		10 ms/Unit max.	
Isolation method		Photocoupler isolation between I/O terminals and PC (There is no isolation between the analog I/O signals.)	

- Note: 1. The voltage output and current output can be used at the same time, but the total output current cannot exceed 21 mA.
 2. The conversion time is the total time for 2 analog inputs and 1 analog output.

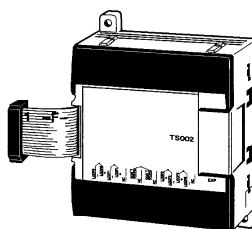


CPM1A-MAD11 Specifications

Item		Specification		
Model		CPM1A-MAD11		
I/O type		Voltage	Current	
Analog inputs	Number of inputs	2 inputs (2 words allocated)		
	Input signal range	0 to 5 VDC, 1 to 5 VDC 0 to 10 VDC, -10 to 10 VDC	0 to 20 mA or 4 to 20 mA	
	Maximum rated input	±15 V	±30 mA	
	External input impedance	1 MΩ min.	250 Ω	
	Resolution	1/6000 (full scale)		
	Overall accuracy	25°C	0.3% full scale	0.4% full scale
		0 to 55°C	0.6% full scale	0.8% full scale
	Converted A/D data	16-bit binary (4-digit hexadecimal) Full scale for -10 to 10 V: F448 to 0BB8 Hex Full scale for other ranges: 0000 to 1770 Hex		
	Averaging function	Supported (Settable for individual inputs via DIP switch)		
Open-circuit detection function	Supported			
Analog output	Number of outputs	1 output (1 word allocated)		
	Output signal range	1 to 5 VDC, 0 to 10 VDC, or -10 to 10 VDC	0 to 20 mA or 4 to 20 mA	
	Allowable external output load resistance	1 kΩ min.	600 Ω max.	
	External output impedance	0.5 Ω max.	—	
	Resolution	1/6000 (full scale)		
	Overall accuracy	25°C	0.4% full scale	
		0 to 55°C	0.8% full scale	
Set data (D/A conversion)	16-bit binary (4-digit hexadecimal) Full scales for -10 to 10 V: F448 to 0BB8 Hex Full scale for other ranges: 0000 to 1770 Hex			
Conversion time	2 ms/point (6 ms/all points)			
Isolation method	Photocoupler isolation between analog I/O terminals and internal circuits. No isolation between analog I/O signals.			

■ TEMPERATURE SENSOR MODULES

By connecting a Temperature Sensor Module (CPM1A-TS001/TS002/TS101/TS101A/TS102) to the CPM1A, inputs can be received from thermocouples or temperature-resistance thermometers. Inputs converted to binary data (4-digit hexadecimal) and stored in the IR area.



Specifications

Item	Specification		
Model	CPM1A-TS001/TS002	CPM1A-TS101/TS102	CPM1A-TS101-DA
Number of inputs	TS001: 2; TS002: 4	TS101: 2; TS102: 4	2
Input types (See Note 1)	Thermocouple types K or J, selectable	Platinum resistance thermometer types Pt100 and JPt100, selectable	
Input resolution	0.1°C in 2's complement format		
Input accuracy	±0.5% or ±2% of the stored value whichever is larger ±1 digit max. (See Note 2)	±0.5% or ±1% of the stored value whichever is larger ±1 digit max. (See Note 2)	1.0% max. full scale
Number of outputs	None	None	1
Output types	—	—	Voltage or current output
Output resolution	—	—	1/256 (0 to 10 V) 1/512 (-10 to +10 V) 1/256 (4 to 20 mA)
Output accuracy	—	—	1.0% max. full scale
Conversion cycle	250 ms for all points		60 ms max. for all points
Converted temperature data	Binary data (4-digit hexadecimal)		Binary data (8-digit hexadecimal)
Isolation method	Photocoupler isolation between I/O terminals and the PLC		

Note: 1. The same input type must be used for all inputs.

2. Accuracy for K thermocouples at temperatures less than -100°C: ±4°C ± 1 digit max.

Input Temperature Ranges for CPM1A-TS001/TS002

The rotary switch can be used to make of the following range and input type settings for CPM1A-TS001/002 models.

Thermocouple input	Range (°C)	Range (°F)
Type K	-200 to 1300	-300 to 2300
	0.0 to 500.0	0.0 to 900.0
Type J	-100 to 850	-100 to 1500
	0.0 to 400.0	0.0 to 750.0

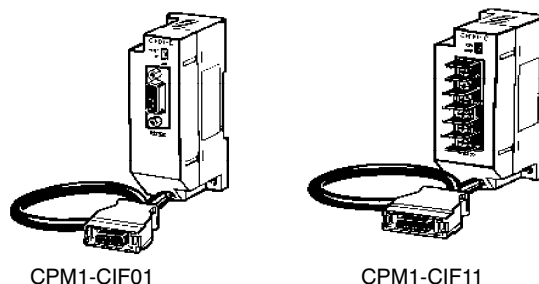
Input Temperature Ranges for CPM1A-TS101/TS101DA/TS102

The rotary switch can be used to make of the following range and input type settings for CPM1A-TS101/102 models.

Platinum RTD input	Range (°C)	Range (°F)
Pt100	-200.0 to 650.0	-300 to 1200.0
JPt100	-200.0 to 650.0	-300 to 1200.0

■ COMMUNICATIONS ADAPTER

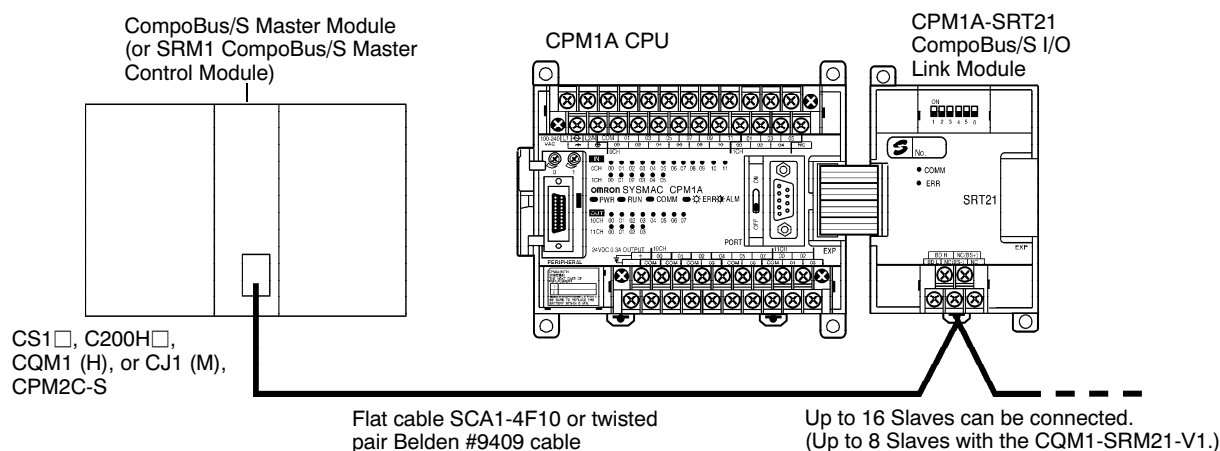
RS-232C Adapter and RS-422 Adapter



Model	CPM1-CIF01		CPM1-CIF11	
Functions	Level conversion between the CMOS level (CPU side) and the RS-232C (peripheral device side)		Level conversion between the CMOS level (CPU side) and the RS-422 (peripheral device side)	
Insulation	The RS-232C (peripheral device side) is insulated by a DC/DC converter and photocoupler.		The RS-422 (peripheral device side) is insulated by a DC/DC converter and photocoupler.	
Power supply	Power is supplied by the CPU.			
Power consumption	0.3 A max.			
Transmission speed	38.4 kbits/s max.			
Vibration resistance	10 to 57 Hz with an amplitude of 0.075 mm, and 57 to 150 Hz with an acceleration of 1 G in the X, Y and Z directions for 80 minutes each (i.e. for 8 minutes each, 10 times).			
Shock resistance	1.5 G in the X, Y and Z directions 3 times each.			
Ambient temperature	Operating	0°C to 55°C (32°F to 131°F)		0°C to 55°C (32°F to 131°F)
	Storage	-20°C to 75°C (-4°F to 167°F)		-20°C to 75°C (-4°F to 167°F)
Ambient humidity	Operating	10% to 90% RH (with no condensation)		
Ambient environment	Operating	With no corrosive gas		
Weight	200 g max.			

■ COMPOBUS/S I/O LINK MODULE

The CPM1A controller can function as a Slave to a CompoBus/S Master Module (or SRM1 CompoBus/S Master Control Module) when a CPM1A-SRT21 CompoBus/S I/O Link Module is connected. The CompoBus/S I/O Link Module establishes an I/O link of 8 inputs and 8 outputs between the Master Module and the CPM1A. Up to 3 Expansion I/O Modules or Expansion Modules can be connected to a CPM1A CPU.



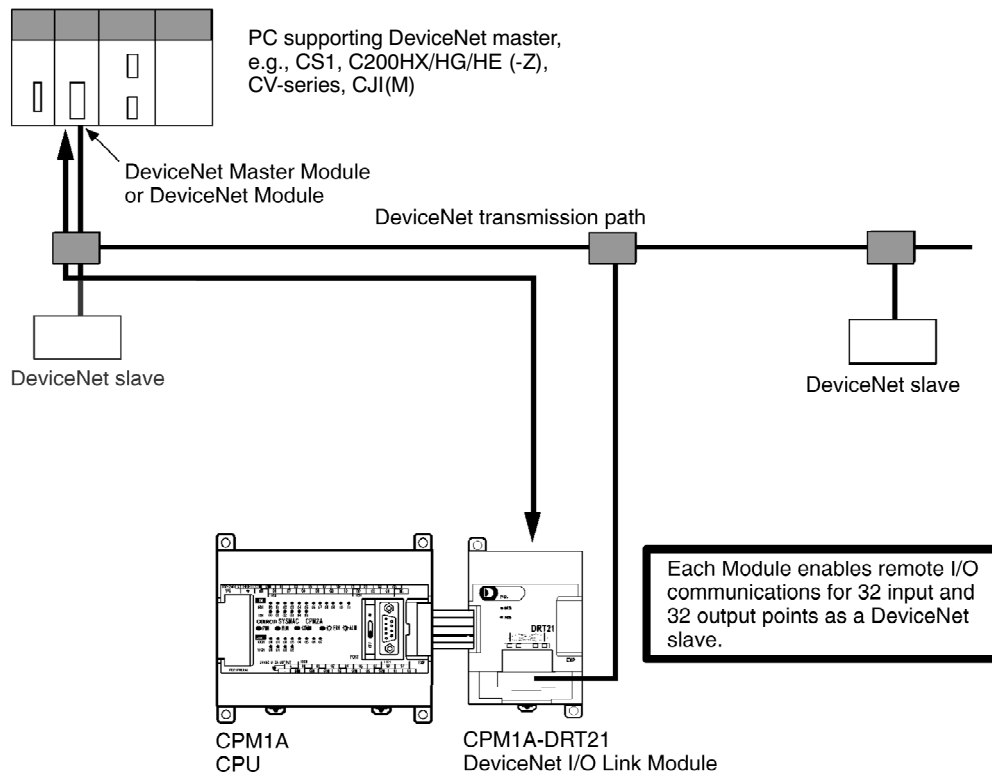
Specifications

Model	CPM1A-SRT21
Master/Slave	CompoBus/S Slave
Number of I/O bits	8 input bits, 8 output bits
Number of words occupied in CPM2A I/O memory	1 input word, 1 output word (Allocated in the same way as other Expansion I/O Modules or Expansion Modules)
Node number setting	Set using the DIP switch.

Note: See the CompoBus/S section of Omron's *Remote I/O and Wiring Solutions Catalog (GC RIO1)* for more details on CompoBus/S communications.

■ DEVICENET I/O LINK MODULE

The CPM1A controller can function as slaves to a DeviceNet Master when a DeviceNet I/O Link Module is connected. The DeviceNet I/O Link Module establishes an I/O link of 32 inputs and 32 outputs between the master and the controller. A maximum of 3 DeviceNet I/O Link Modules can be connected to a CPM1A to create I/O Links for up to 192 points (96 inputs and 96 outputs).

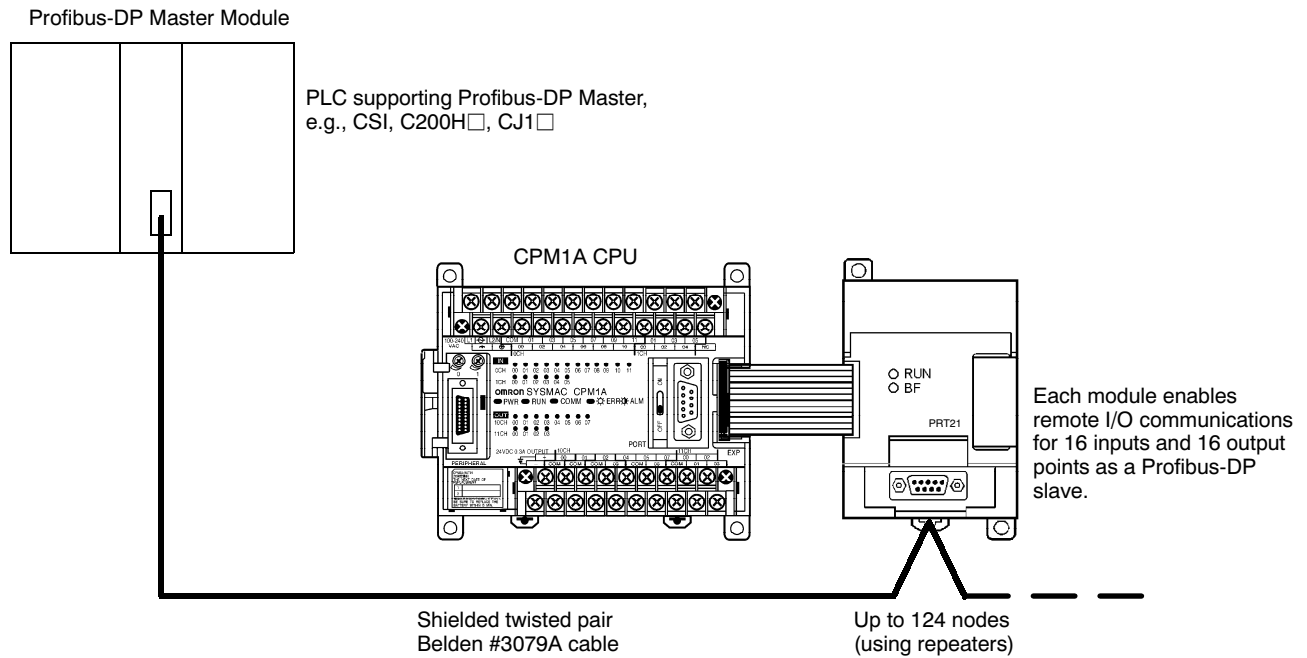


Specifications

Item	Specification
Model number	CPM1A-DRT21
Master/slave	DeviceNet Slave
Number of I/O points	32 input points, 32 output points
Number of words allocated in CPU Unit I/O memory	2 input words, 2 output words (Allocated in the same way as Expansion I/O Units and other Expansion Units)
Node number setting	Set using the rotary switches (Set before turning ON the CPU's power supply.)

■ PROFIBUS-DP SLAVE MODULE

The CPM1A-V1 controller can function as a slave to a Profibus-DP Master Module when a CMP1A-PRT Profibus-DP Slave Module is connected. The Profibus-DP Slave Module establishes an I/O link of 16 inputs and 16 outputs between the master and the controller. A maximum of 3 Profibus-DP Slave Modules can be connected to a CPM1A or CPM2A to create I/O links for up to 96 points (48 inputs and 48 outputs).



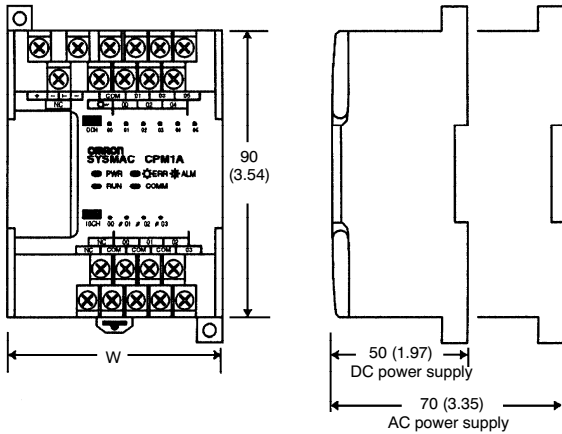
Specifications

Storage temperature	-20 to +75°C
Ambient temperature	0 to +55°C
Ambient humidity	10 to 90% (non-condensing)
EMC compliance	EN 50081-2, EN 61131-2
Current consumption	100 mA from the PLC I/O bus
Weight	125 g (typical)
Control data	From CPU to unit: none
Status data	From unit to CPU: none
I/O data (in bytes)	2 bytes input, 2 bytes output

Dimensions

Unit: mm (inch)

■ CPU, EXPANSION I/O AND SPECIAL I/O MODULES

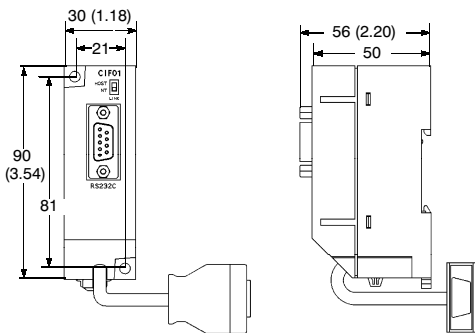


Model	W
CPM1A-10CD□-A/D-V1	66 (2.60)
CPM1A-20CD□-A/D-V1	86 (3.39)
CPM1A-30CD□-A/D-V1	130 (5.12)
CPM1A-40CD□-A/D-V1	150 (5.91)
CPM1A-20ED□	86 (3.39)
CPM1A-8E□	66 (2.60)
CPM1A-SRT21	66 (2.60)
CPM1A-MAD01	66 (2.60)
CPM1A-TS□□□	86 (3.39)
CPM1A-MAD11	86 (3.39)
CPM1A-DRT21	66 (2.60)
CPM1A-PRT21	66 (2.60)

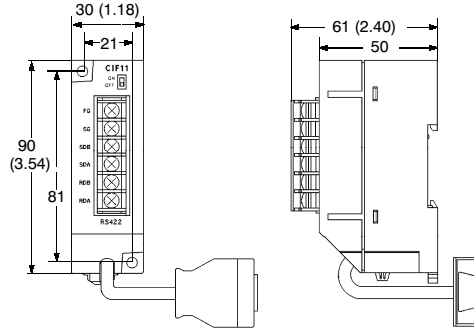
Unit: mm (inch)

■ COMMUNICATION ADAPTER MODULES

CPM1-CIF01

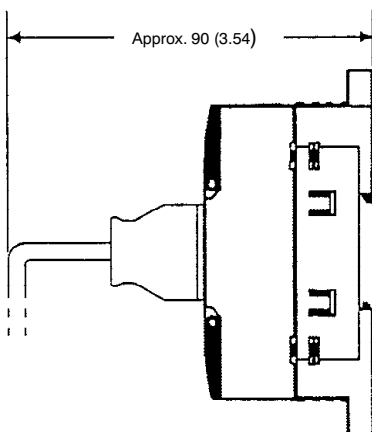


CPM1-CIF11

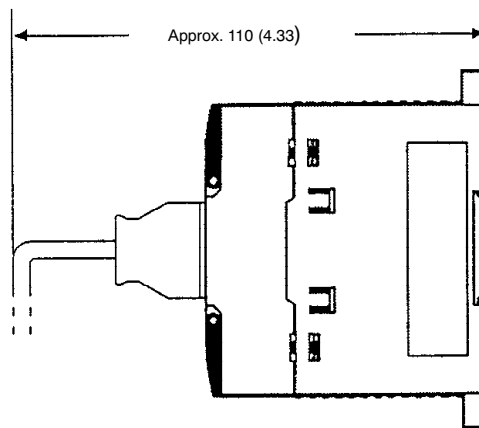


■ DIMENSIONS WITH PERIPHERAL DEVICES ATTACHED

CPU with DC Power Supply



CPU with AC Power Supply



Functions

■ CONFIGURATION

The CPM1A CPUs feature a compact, one-piece construction that includes 10, 20, 30 or 40 built-in I/O terminals. Three output models are available: Relay outputs, sinking (NPN) transistor output and sourcing (PNP) transistor output.

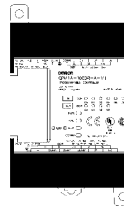
Expansion

Up to three Expansion I/O Modules can be connected to a 30-point or 40-point CPU to add an extra 8 or 20 I/O points for each, for a maximum of up to 100 I/O points.

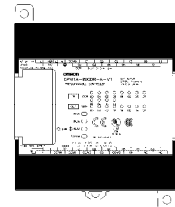
Dedicated I/O Modules

Up to 3 Analog I/O Modules or Temperature Sensor Input Modules can be used with 30-point and 40-point CPUs. Each analog I/O module provides 2 analog inputs and 1 analog output, so a maximum of 6 analog inputs and 3 analog outputs can be achieved by connecting 3 Analog I/O Modules. Each Temperature Sensor Module provides two temperature sensor inputs from either thermocouples or platinum resistance thermometers. Up to 6 inputs can be connected.

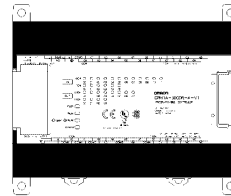
CPM1A-10CD□-□-V1
(10 I/O terminals)



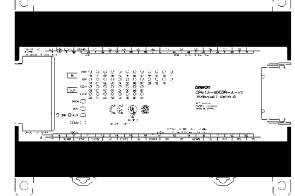
CPM1A-20CD□-□-V1
(20 I/O terminals)



CPM1A-30CD□-□-V1
(30 I/O terminals)



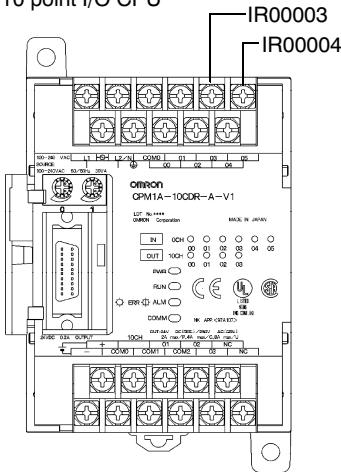
CPM1A-40CD□-□-V1
(40 I/O terminals)



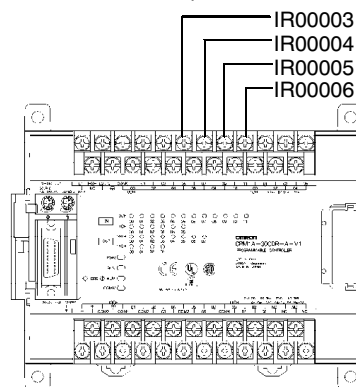
■ INTERRUPT INPUTS

There are two input interrupts in the CPM1A 10-point I/O CPU and four in the 20-, 30-, and 40-point I/O CPUs. Input interrupts are available in two modes. In addition to normal interrupt inputs, the CPM1A has a counter mode that counts high-speed input signals and triggers interrupts at fixed count multiples.

10 point I/O CPU



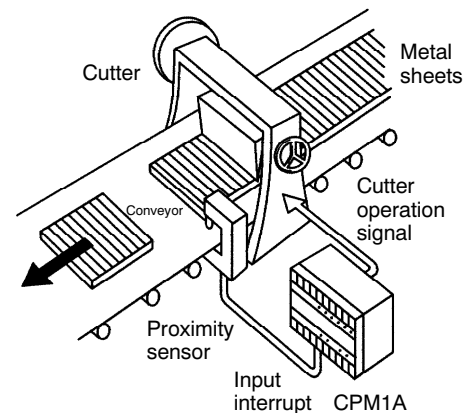
20, 30, and 40 point I/O CPU



Application Example:

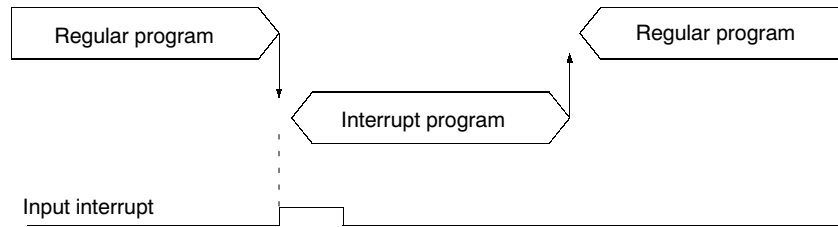
Cutting Metal Sheets to Specified Lengths

The proximity sensor detects the edge of a metal plate to operate the cutter. Metal sheets can be cut continuously to the specified lengths at a high speed.



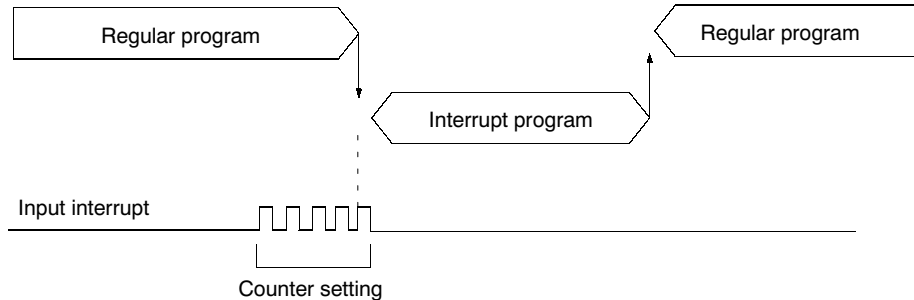
Input Interrupt Mode

If an input interrupt occurs, the regular program shuts down irrelevant of the cycle time, and the interrupt processing program is executed immediately.



Counter Mode

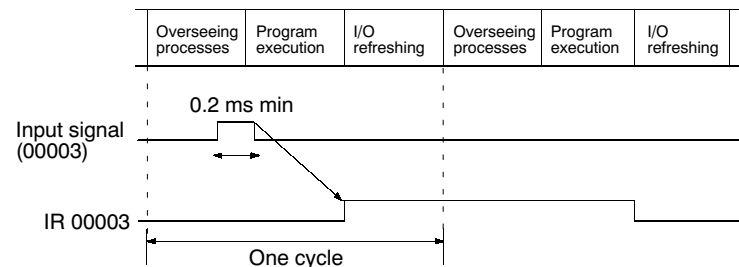
When the number of external signals counted at high speed reaches a specified number of counts, the regular program shuts down, and the interrupt processing program is executed at fixed counts. The count can be set between 0 and 65535.



■ QUICK-RESPONSE INPUTS

Quick-response inputs can detect input signals with a pulse width as short as 0.2 ms regardless of their timing during the scan cycle. Quick-response inputs and interrupt inputs use the same input terminals.

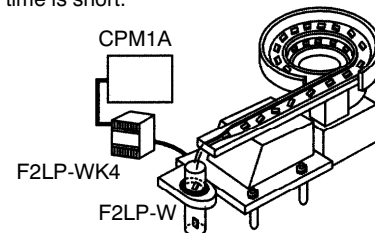
CPU	Input no.	Minimum input pulse width
10 point I/O CPU	00003 to 00004	0.2 ms
20 point, 30 point, 40 point I/O CPU	00003 to 00006	



Application Example:

Calculating the Number of Chips

The metal sensor counts the number of parts that have passed. Steady counting can be achieved even when the input-ON time is short.

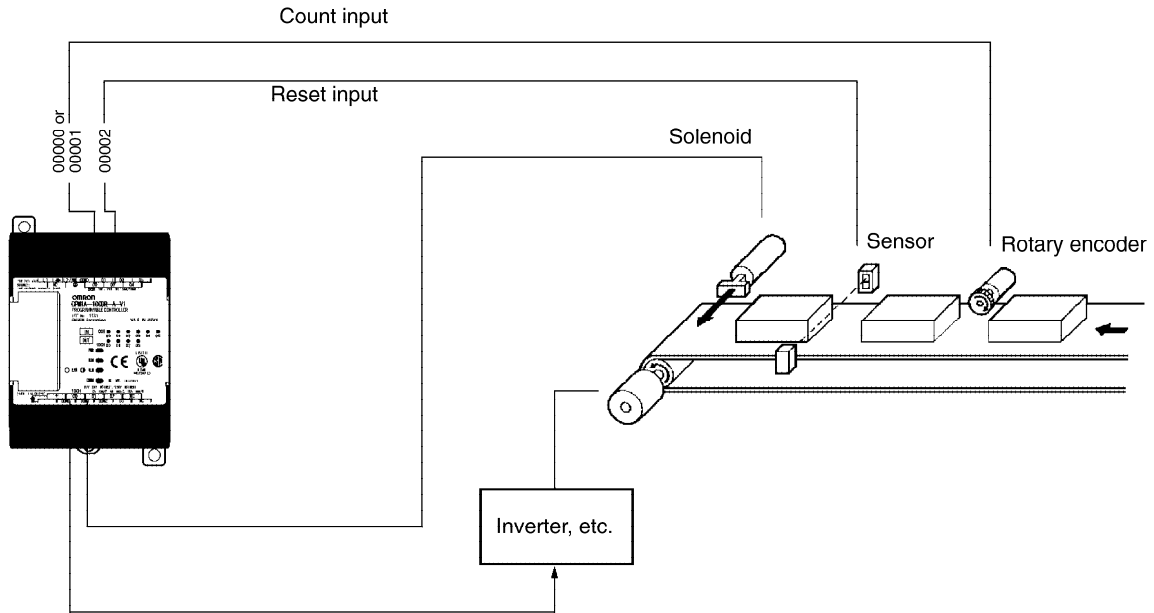


■ HIGH-SPEED COUNTER

The CPM1A has a high-speed counter function that can be used in the incrementing and up/down mode. Using this function together with the input interrupts enables zone comparison control or target value control irrelevant of the cycle time.

Counting mode	Incrementing mode	Up/Down mode	
Input no.	00000	Count input	A-phase input
	00001	—	B-phase input
	00002	Reset input	Z-phase input
Input method	Single-phase input	Phase-difference, 4× inputs	
Count frequency	5.0 kHz	2.5 kHz	
Count range	0 to 65535	-32767 to 32767	

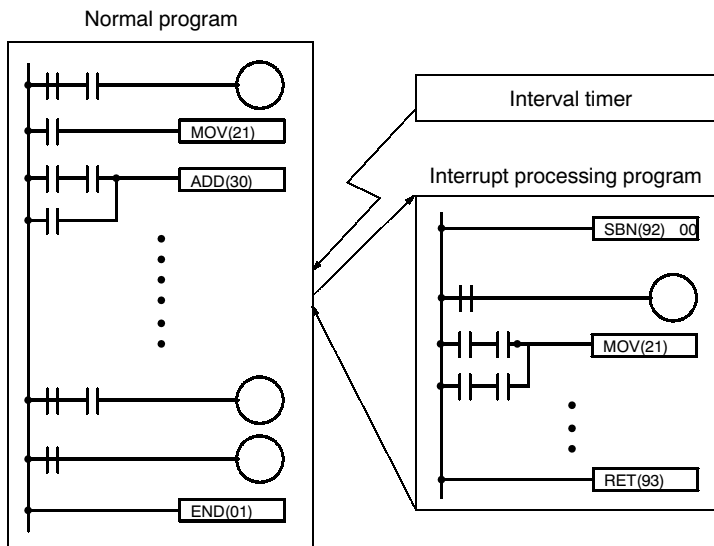
Note: When using in the incrementing mode, the input 00001 can be used as an input contact.



■ INTERVAL TIMER INTERRUPTS

The CPM1A has one interval timer. The interval timer shuts down the regular program regardless of the point in the cycle once the time is up, and immediately executes an interrupt processing program. Interval timers are used in the following two modes.

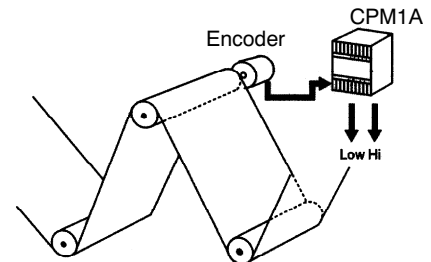
Item	One-shot mode	Scheduled interrupt mode
Operation	An interrupt is executed only once when the time is up.	Interrupts are executed repeatedly at fixed periods.
Setting time	0.5 ms to 319,968 ms (0.1-ms units)	



Application Example:

Computing the Sheet Speed

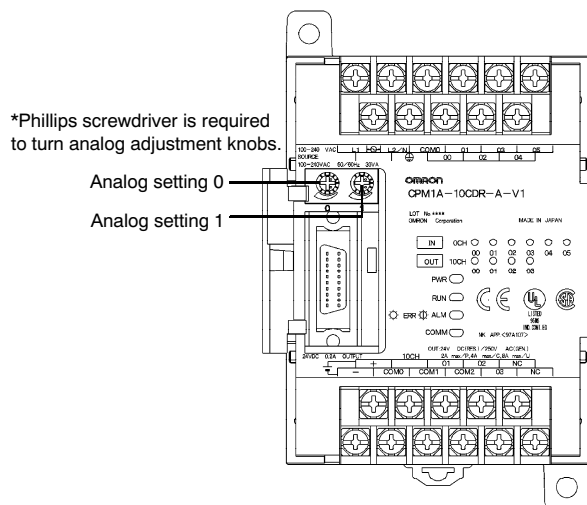
The number of pulse inputs is computed in the interrupt mode at a fixed time to calculate the speed.



■ ANALOG SETTING

The CPM1A contains two analog setting controls that can be used for a broad range of analog timer and counter settings. Turning the setting control stores values of 0 to 200 (BCD data) in the SR area.

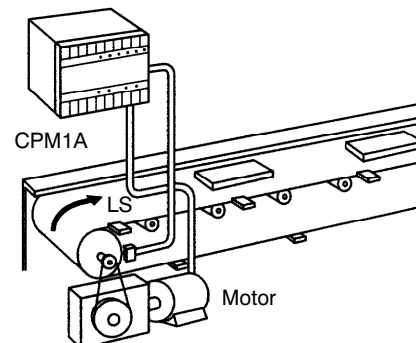
Analog setting	Storage area	Setting value (BCD)
Analog setting 0	SR 250	0000 to 0200
Analog setting 1	SR 251	



Application Example:

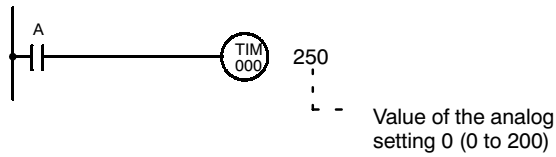
Tact Operation Control of Conveyor Lines

A conveyor can be stopped temporarily as required for assembly processes. When the timer function and limit switches are used in a combination, conveyors can be stopped for a fixed time or can be run at a constant speed for a fixed distance. Fine adjustment of the stopping time can be easily done by using the analog setting controls.

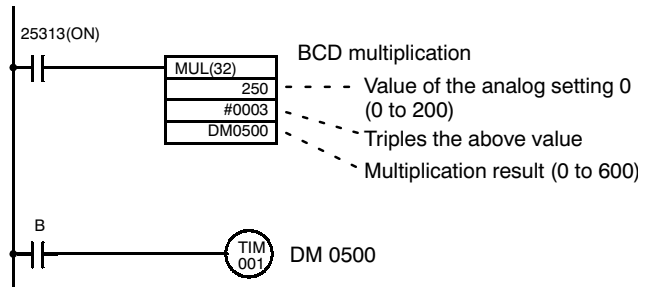


Program Example

1. Analog timer for 0.0 to 20.0 seconds



2. Analog timer for 0.0 to 60.0 seconds



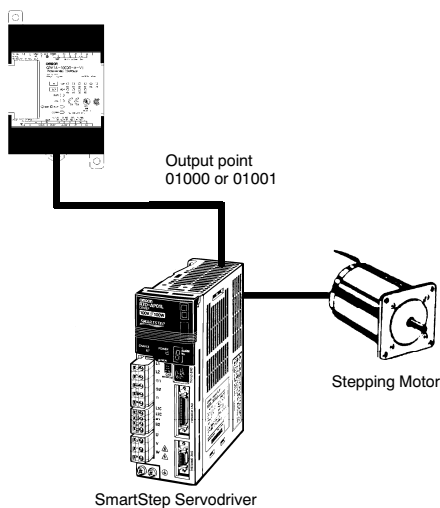
PULSE OUTPUT FUNCTION

The CPM1A transistor output models have an output function capable of outputting a pulse of 20 Hz to 2 kHz (single-phase output).

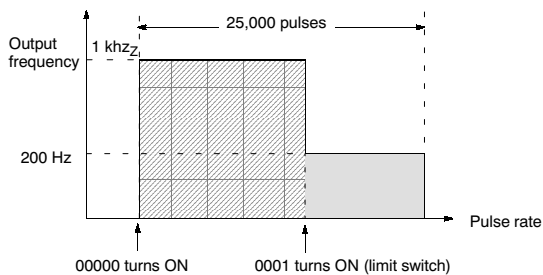
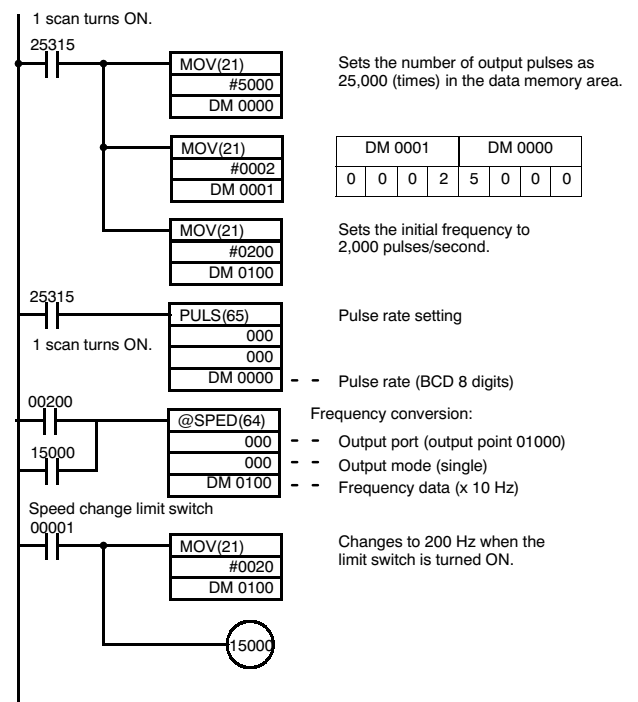
When used in combination with a Stepping Driver or SmartStep Servodriver, positioning can be easily performed.

Application Example

Changing the speed of the Stepping Motor.



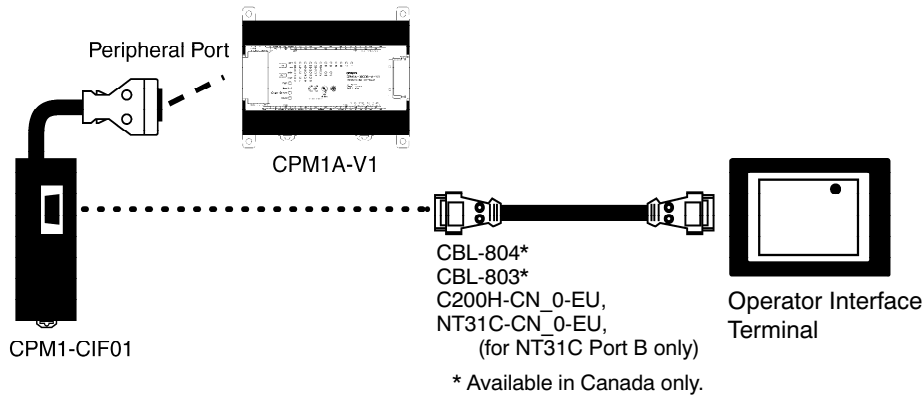
Program Example



Communications

■ NT LINK FOR PROGRAMMABLE TERMINALS

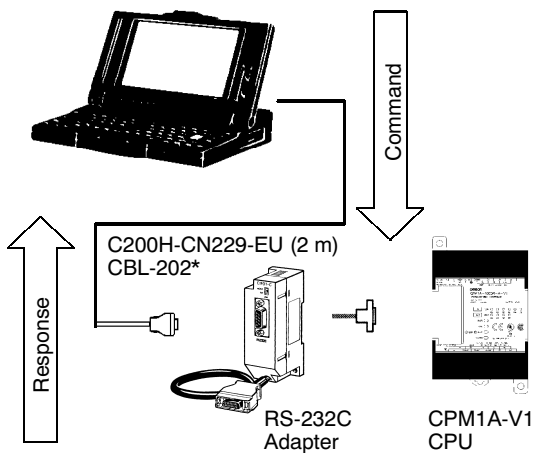
Use Omron's high-speed NT Link for real-time communications between the CPM1A and a Programmable Terminal.



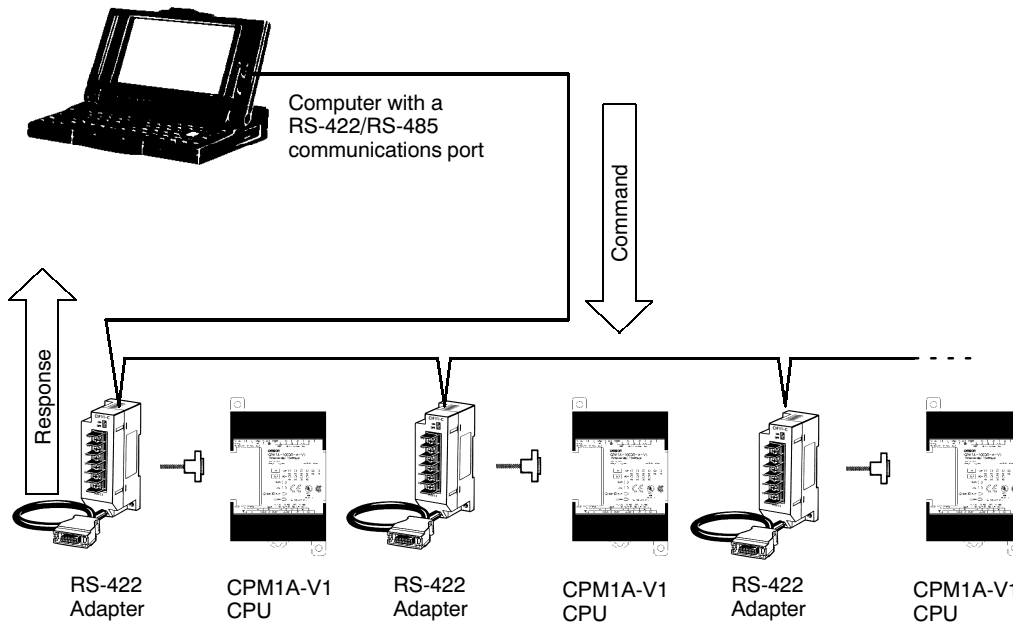
■ HOST LINK COMMUNICATIONS

CPM1A Host Link communications consist of interactive procedures whereby the CPM1A returns a response to a command sent from the IBM PC/AT or compatible computer. These communications allow the IBM PC/AT or compatible computer to read and write in the CPM1A's I/O Areas and Data Memory Areas as well as in areas containing the status of various settings.

1:1 Host Link Communications



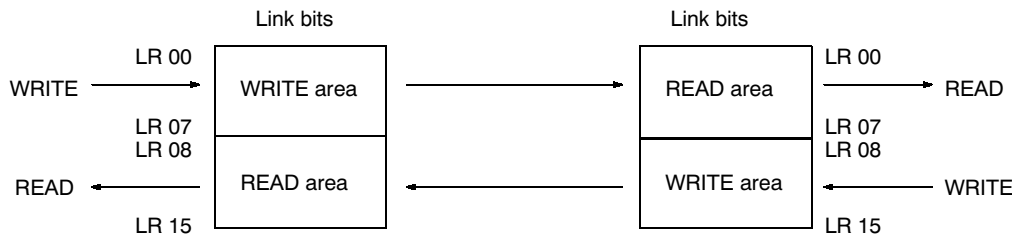
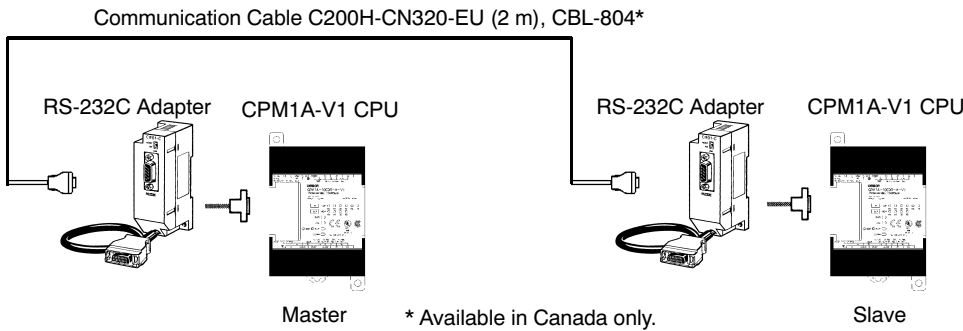
1:N Host Link Communications



1:1 CONNECTIONS FOR DATA EXCHANGE

With a 1:1 Link, two CPM1As or a CPM1A and CQM1 or C200H□ are connected 1:1 with one side as the Master and the other as the Slave to provide an I/O link of a maximum of 256 points (LR 0000 to LR 1515).

Example of a 1:1 Link between CPM1As

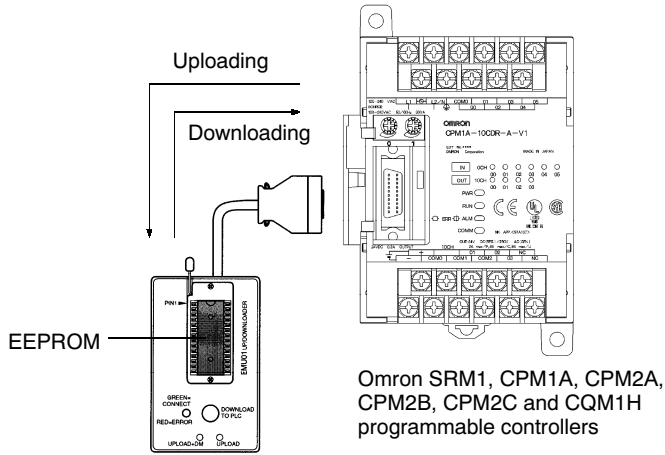


Limitations of the CPM1A 1:1 Link

CPM1A I/O links are limited to 16 words (LR 00 to LR 15). Therefore, use these 16 words (LR 00 to LR 15) on the CQM1 or C200H□ side when forming 1:1 links with a CQM1 or C200H□.

■ PROGRAM TRANSFER UNIT

Use Omron's EEPROM program transfer unit to update programs in machines or program multiple controllers with the same program. The CPM1-EMU01-V1 Expansion Memory Unit connects to the peripheral port of micro and small PLCs.



Certain Terms and Conditions of Sale

1. **Offer; Acceptance.** These terms and conditions (these "Terms") are deemed part of all catalogs, manuals or other documents, whether electronic or in writing, relating to the sale of goods or services (collectively, the "Goods") by Omron Electronics LLC and its subsidiary companies ("Seller"). Seller hereby objects to any terms or conditions proposed in Buyer's purchase order or other documents which are inconsistent with, or in addition to, these Terms. Please contact your Omron representative to confirm any additional terms for sales from your Omron company.
2. **Prices.** All prices stated are current, subject to change without notice by Seller. Buyer agrees to pay the price in effect at time of shipment.
3. **Discounts.** Cash discounts, if any, will apply only on the net amount of invoices sent to Buyer after deducting transportation charges, taxes and duties, and will be allowed only if (i) the invoice is paid according to Seller's payment terms and (ii) Buyer has no past due amounts owing to Seller.
4. **Orders.** Seller will accept no order less than \$200 net billing.
5. **Governmental Approvals.** Buyer shall be responsible for, and shall bear all costs involved in, obtaining any government approvals required for the importation or sale of the Goods.
6. **Taxes.** All taxes, duties and other governmental charges (other than general real property and income taxes), including any interest or penalties thereon, imposed directly or indirectly on Seller or required to be collected directly or indirectly by Seller for the manufacture, production, sale, delivery, importation, consumption or use of the Goods sold hereunder (including customs duties and sales, excise, use, turnover and license taxes) shall be charged to and remitted by Buyer to Seller.
7. **Financial.** If the financial position of Buyer at any time becomes unsatisfactory to Seller, Seller reserves the right to stop shipments or require satisfactory security or payment in advance. If Buyer fails to make payment or otherwise comply with these Terms or any related agreement, Seller may (without liability and in addition to other remedies) cancel any unshipped portion of Goods sold hereunder and stop any Goods in transit until Buyer pays all amounts, including amounts payable hereunder, whether or not then due, which are owing to it by Buyer. Buyer shall in any event remain liable for all unpaid accounts.
8. **Cancellation; Etc.** Orders are not subject to rescheduling or cancellation unless Buyer indemnifies Seller fully against all costs or expenses arising in connection therewith.
9. **Force Majeure.** Seller shall not be liable for any delay or failure in delivery resulting from causes beyond its control, including earthquakes, fires, floods, strikes or other labor disputes, shortage of labor or materials, accidents to machinery, acts of sabotage, riots, delay in or lack of transportation or the requirements of any government authority.
10. **Shipping; Delivery.** Unless otherwise expressly agreed in writing by Seller:
 - a. Shipments shall be by a carrier selected by Seller;
 - b. Such carrier shall act as the agent of Buyer and delivery to such carrier shall constitute delivery to Buyer;
 - c. All sales and shipments of Goods shall be FOB shipping point (unless otherwise stated in writing by Seller), at which point title to and all risk of loss of the Goods shall pass from Seller to Buyer, provided that Seller shall retain a security interest in the Goods until the full purchase price is paid by Buyer;
 - d. Delivery and shipping dates are estimates only.
 - e. Seller will package Goods as it deems proper for protection against normal handling and extra charges apply to special conditions.
11. **Claims.** Any claim by Buyer against Seller for shortage or damage to the Goods occurring before delivery to the carrier must be presented in writing to Seller within 30 days of receipt of shipment and include the original transportation bill signed by the carrier noting that the carrier received the Goods from Seller in the condition claimed.
12. **Warranties.** (a) **Exclusive Warranty.** Seller's exclusive warranty is that the Goods will be free from defects in materials and workmanship for a period of twelve months from the date of sale by Seller (or such other period expressed in writing by Seller). Seller disclaims all other warranties, express or implied. (b) **Limitations.** SELLER MAKES NO WARRANTY OR REPRESENTATION, EXPRESS OR IMPLIED, ABOUT NON-INFRINGEMENT, MERCHANTABILITY OR FITNESS FOR A PARTICULAR PURPOSE OF THE GOODS. BUYER ACKNOWLEDGES THAT IT ALONE HAS DETERMINED THAT THE GOODS WILL SUITABLY MEET THE REQUIREMENTS OF THEIR INTENDED USE. Seller further disclaims all warranties and responsibility of any type for claims or expenses based on infringement by the Goods or otherwise of any intellectual property right. (c) **Buyer Remedy.** Seller's sole obligation hereunder shall be to replace (in the form originally shipped with Buyer responsible for labor charges for removal or replacement thereof) the non-complying Good or, at Seller's election, to repay or credit Buyer an amount equal to the purchase price of the Good; provided that in no event shall Seller be responsible for warranty, repair, indemnity or any other claims or expenses regarding the Goods unless Seller's analysis confirms that the Goods were properly handled, stored, installed and maintained and not subject to contamination, abuse, misuse or inappropriate modification. Return of any goods by Buyer must be approved in writing by Seller before shipment. Seller shall not be liable for the suitability or unsuitability or the results from the use of Goods in combination with any electrical or electronic components, circuits, system assemblies or any other materials or substances or environments. Any advice, recommendations or information given orally or in writing, are not to be construed as an amendment or addition to the above warranty.
13. **Damage Limits; Etc.** SELLER SHALL NOT BE LIABLE FOR SPECIAL, INDIRECT OR CONSEQUENTIAL DAMAGES, LOSS OF PROFITS OR PRODUCTION OR COMMERCIAL LOSS IN ANY WAY CONNECTED WITH THE GOODS, WHETHER SUCH CLAIM IS BASED IN CONTRACT, WARRANTY, NEGLIGENCE OR STRICT LIABILITY. Further, in no event shall liability of Seller exceed the individual price of the Good on which liability is asserted.
14. **Indemnities.** Buyer shall indemnify and hold harmless Seller, its affiliates and its employees from and against all liabilities, losses, claims, costs and expenses (including attorney's fees and expenses) related to any claim, investigation, litigation or proceeding (whether or not Seller is a party) which arises or is alleged to arise from Buyer's acts or omissions under these Terms or in any way with respect to the Goods. Without limiting the foregoing, Buyer (at its own expense) shall indemnify and hold harmless Seller and defend or settle any action brought against Seller to the extent that it is based on a claim that any Good made to Buyer specifications infringed intellectual property rights of another party.
15. **Property; Confidentiality.** The intellectual property embodied in the Goods is the exclusive property of Seller and its affiliates and Buyer shall not attempt to duplicate it in any way without the written permission of Seller. Notwithstanding any charges to Buyer for engineering or tooling, all engineering and tooling shall remain the exclusive property of Seller. All information and materials supplied by Seller to Buyer relating to the Goods are confidential and proprietary, and Buyer shall limit distribution thereof to its trusted employees and strictly prevent disclosure to any third party.
16. **Miscellaneous.** (a) **Waiver.** No failure or delay by Seller in exercising any right and no course of dealing between Buyer and Seller shall operate as a waiver of rights by Seller. (b) **Assignment.** Buyer may not assign its rights hereunder without Seller's written consent. (c) **Amendment.** These Terms constitute the entire agreement between Buyer and Seller relating to the Goods, and no provision may be changed or waived unless in writing signed by the parties. (d) **Severability.** If any provision hereof is rendered ineffective or invalid, such provision shall not invalidate any other provision. (e) **Setoff.** Buyer shall have no right to set off any amounts against the amount owing in respect of this invoice. (f) As used herein, "including" means "including without limitation".

Certain Precautions on Specifications and Use

1. **Suitability of Use.** Seller shall not be responsible for conformity with any standards, codes or regulations which apply to the combination of the Good in the Buyer's application or use of the Good. At Buyer's request, Seller will provide applicable third party certification documents identifying ratings and limitations of use which apply to the Good. This information by itself is not sufficient for a complete determination of the suitability of the Good in combination with the end product, machine, system, or other application or use. The following are some examples of applications for which particular attention must be given. This is not intended to be an exhaustive list of all possible uses of this Good, nor is it intended to imply that the uses listed may be suitable for this Good:
 - (i) Outdoor use, uses involving potential chemical contamination or electrical interference, or conditions or uses not described in this document.
 - (ii) Energy control systems, combustion systems, railroad systems, aviation systems, medical equipment, amusement machines, vehicles, safety equipment, and installations subject to separate industry or government regulations.
 - (iii) Systems, machines and equipment that could present a risk to life or property. Please know and observe all prohibitions of use applicable to this Good.
2. **Programmable Products.** Seller shall not be responsible for the user's programming of a programmable Good, or any consequence thereof.
3. **Performance Data.** Performance data given in this catalog is provided as a guide for the user in determining suitability and does not constitute a warranty. It may represent the result of Seller's test conditions, and the user must correlate it to actual application requirements. Actual performance is subject to the Seller's Warranty and Limitations of Liability.
4. **Change in Specifications.** Product specifications and accessories may be changed at any time based on improvements and other reasons. It is our practice to change part numbers when published ratings or features are changed, or when significant construction changes are made. However, some specifications of the Good may be changed without any notice. When in doubt, special part numbers may be assigned to fix or establish key specifications for your application. Please consult with your Seller's representative at any time to confirm actual specifications of purchased Good.
5. **Errors and Omissions.** The information in this catalog has been carefully checked and is believed to be accurate; however, no responsibility is assumed for clerical, typographical or proofreading errors, or omissions.

NEVER USE THE PRODUCT FOR AN APPLICATION INVOLVING SERIOUS RISK TO LIFE OR PROPERTY WITHOUT ENSURING THAT THE SYSTEM AS A WHOLE HAS BEEN DESIGNED TO ADDRESS THE RISKS, AND THAT THE SELLER'S PRODUCT IS PROPERLY RATED AND INSTALLED FOR THE INTENDED USE WITHIN THE OVERALL EQUIPMENT OR SYSTEM.

Complete “Terms and Conditions of Sale” for product purchase and use are on Omron’s website at www.omron.com/oei – under the “About Us” tab, in the Legal Matters section.

ALL DIMENSIONS SHOWN ARE IN MILLIMETERS.

To convert millimeters into inches, multiply by 0.03937. To convert grams into ounces, multiply by 0.03527.

OMRON[®]**OMRON ELECTRONICS LLC**

One Commerce Drive
Schaumburg, IL 60173

847-843-7900

For US technical support or other inquiries:

800-556-6766**OMRON CANADA, INC.**

885 Milner Avenue
Toronto, Ontario M1B 5V8

416-286-6465**OMRON ON-LINE**

Global - <http://www.omron.com>

USA - <http://www.omron.com/oei>

Canada - <http://www.omron.ca>