

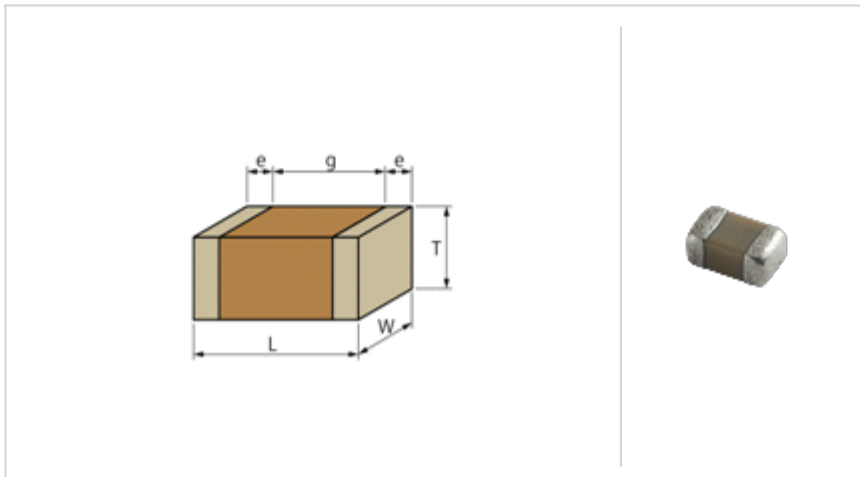
GR721AW0BB103KW01D

" # " indicates a package specification code.



< List of part numbers with package codes >
GR721AW0BB103KW01D

Shape



L size	2.0 ± 0.2mm
W size	1.25 ± 0.2mm
T size	1.0 +0/-0.3mm
External terminal width e	0.3mm min.
Distance between external terminals g (Min.)	0.7mm
Size code in mm(inch)	2012 (0805)

Specifications

Capacitance	10000pF ± 10%
Rated voltage	350Vdc
Temperature characteristics (complied standard)	(Murata)
Temperature range of temperature characteristics	-55 to 125
Operating temperature range	-55 to 125

Notes

Flash Circuits only

References

Packaging	Specifications	Minimum quantity
	Paper tape (180mm)	4000

⚠ Attention

- 1.This datasheet is downloaded from the website of Murata Manufacturing Co., Ltd. Therefore, it ' s specifications are subject to change or our products in it may be discontinued without advance notice. Please check with our sales representatives or product engineers before ordering.
- 2.This datasheet has only typical specifications because there is no space for detailed specifications. Therefore, please review our product specifications or consult the approval sheet for product specifications before ordering.