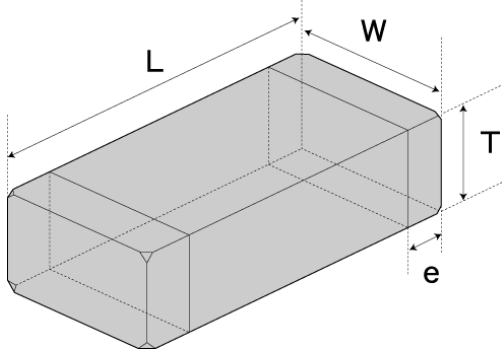


# Spec Sheet

Medium-High Voltage MLCC for Industrial / Automotive Comfort and Safety Applications

## HMK316B7105KLHT



### ■ Features

- Item Summary  
100V, X7R, 1  $\mu$ F,  $\pm$ 10%, 1206
- Lifecycle Stage  
Mass Production
- AEC-Q200 qualified
- Standard packaging quantity (minimum)  
Taping Embossed 2000pcs

### ■ Products characteristics table

CaseSize (EIA/JIS)	1206/3216
Rated Voltage (max)	100V
Capacitance	1 $\mu$ F
Capacitance Tolerance	$\pm$ 10%
Resistance	100 M $\Omega$ $\mu$ F
Dielectric Loss Tangent	3.5%MAX
Temperature Characteristics (EIA/JIS)	X7R/-
Temperature Range (EIA/JIS)	-55 to +125 $^{\circ}$ C/-
Capacitance Change (EIA/JIS)	$\pm$ 15/-%
RoHS Compliance	Yes
Halogen Free	Yes
Soldering Method	Reflow

### ■ External Dimensions

L	3.2mm $\pm$ 0.15
W	1.6mm $\pm$ 0.15
T	1.6mm $\pm$ 0.20
e	0.5mm +0.35:-0.25

2015.04.17

The data is reference only. Electrical characteristics vary depending on environment or measurement condition.  
TAIYO YUDEN reserves the right to make change to the Date at any time without notice.  
Before making final selection, please check product specification.