

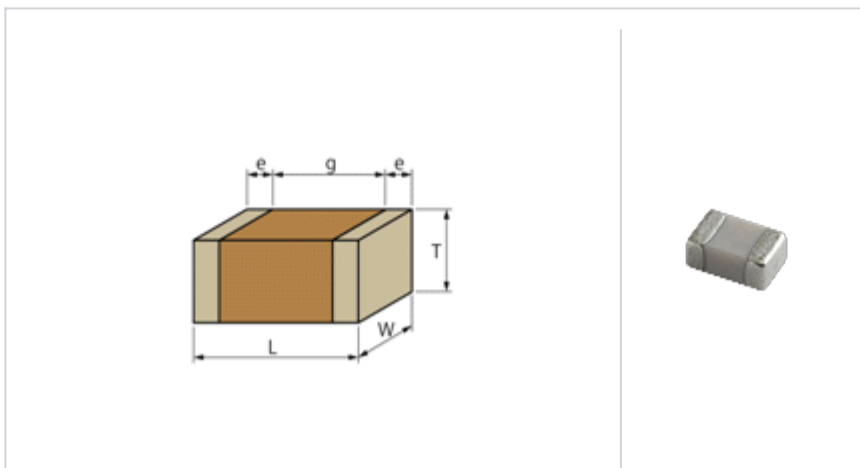
# GQM22M5C2H5R6DB01#

"#" indicates a package specification code.



< List of part numbers with package codes >  
 GQM22M5C2H5R6DB01L , GQM22M5C2H5R6DB01K , GQM22M5C2H5R6DB01B

## Shape



L size	2.8 ± 0.5mm
W size	2.8 ± 0.4mm
T size	1.15 ± 0.2mm
External terminal width e	0.3mm min.
Distance between external terminals g (Min.)	1.0mm
Size code in mm(inch)	2828 (1111)

## References

Packaging	Specifications	Minimum quantity
L	Embossed tape ( 180mm)	1000
K	Embossed tape ( 330mm)	4000
B	Packing in bulk	1000

Mass (typ.)	
1 piece	40.9mg
Reel ( 180mm)	73g

## Specifications

Capacitance	5.6pF ± 0.5pF
Rated voltage	500Vdc
Temperature characteristics (complied standard)	COG(EIA)
Temperature coefficient	0 ± 30ppm/
Temperature range of temperature characteristics	25 to 125
Operating temperature range	-55 to 125

### ⚠ Attention

- 1.This datasheet is downloaded from the website of Murata Manufacturing Co., Ltd. Therefore, it ' s specifications are subject to change or our products in it may be discontinued without advance notice. Please check with our sales representatives or product engineers before ordering.
- 2.This datasheet has only typical specifications because there is no space for detailed specifications. Therefore, please review our product specifications or consult the approval sheet for product specifications before ordering.