

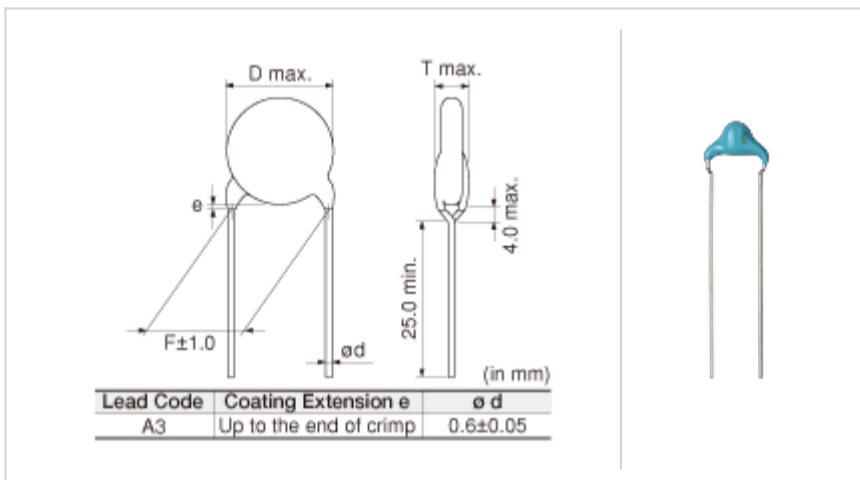
# DEF2CLH070DA3B

" # " indicates a package specification code.

Recommended  Complies with RoHS

< List of part numbers with package codes >  
DEF2CLH070DA3B

## Shape



L size or outer diameter D (mm)	8.0 mm max.
Lead spacing F	7.5 ± 1.0mm
Product thickness T	6.0mm max.
Lead diameter d	0.6 ± 0.05mm
Paint dripping e	Up to the end of crimp

## Specifications

Capacitance	7.0pF ± 0.5pF
Rated voltage	6300Vdc(p-p)
Temperature characteristics (complied standard)	CH(JIS)
Temperature coefficient	0 ± 60ppm/
Temperature range of temperature characteristics	20 to 85
Operating temperature range	-25 to 105

## Notes

For LCD Backlight Inverters only

## References

Packaging	Specifications	Minimum quantity
	Packing in bulk	250

## ⚠ Attention

- 1.This datasheet is downloaded from the website of Murata Manufacturing Co., Ltd. Therefore, it ' s specifications are subject to change or our products in it may be discontinued without advance notice. Please check with our sales representatives or product engineers before ordering.
- 2.This datasheet has only typical specifications because there is no space for detailed specifications. Therefore, please review our product specifications or consult the approval sheet for product specifications before ordering.