

HEAVY DUTY ENCLOSURES

7710 Series Hinged Wall Mount Enclosures

Wall mounted enclosures with a transparent and hinged polycarbonate cover. Designed to house electronic applications.

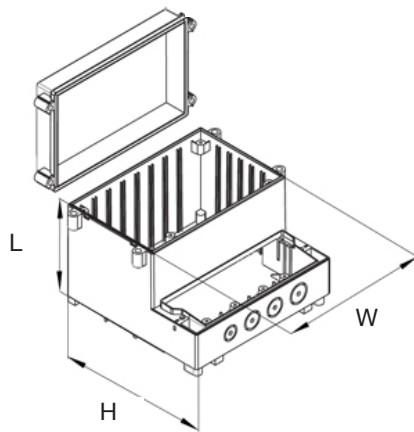
- Moulded in high quality PC/ABS
- Suitable for high temperatures
- Protects controls and components indoors or outdoors
- Two detachable hinges for quick access
- Fastening pillars and guide grooves for vertical and horizontal PCB mounting
- Hinges can be left or right mounted
- DIN Rail mountable
- EPDM gasket for IP65 seal pre-inserted
- Available in five sizes

SPECIFICATION

Materials	Box: Polycarbonate ABS UL94-V0 Lid: Polycarbonate UL94-V0
Operating Temperature	Heat resistant up to 120°C
Ingress protection class	IP65
Standard colours	Light grey, similar to RAL 7038, Transparent lid
Standard unit includes	Box, lid, hinges, catch, fixing screws and neoprene gasket



PART NO.	LENGTH	WIDTH	HEIGHT
CHD771001	93mm	166mm	161mm
CHD771002	121mm	166mm	161mm
CHD771003	104.5mm	213mm	185mm
CHD771004	132.5mm	256mm	217mm
CHD771005	158mm	296mm	281mm



Wall Mounting Kit

PART NO.	DESCRIPTION
CHD7700MK	Mounting Brackets

