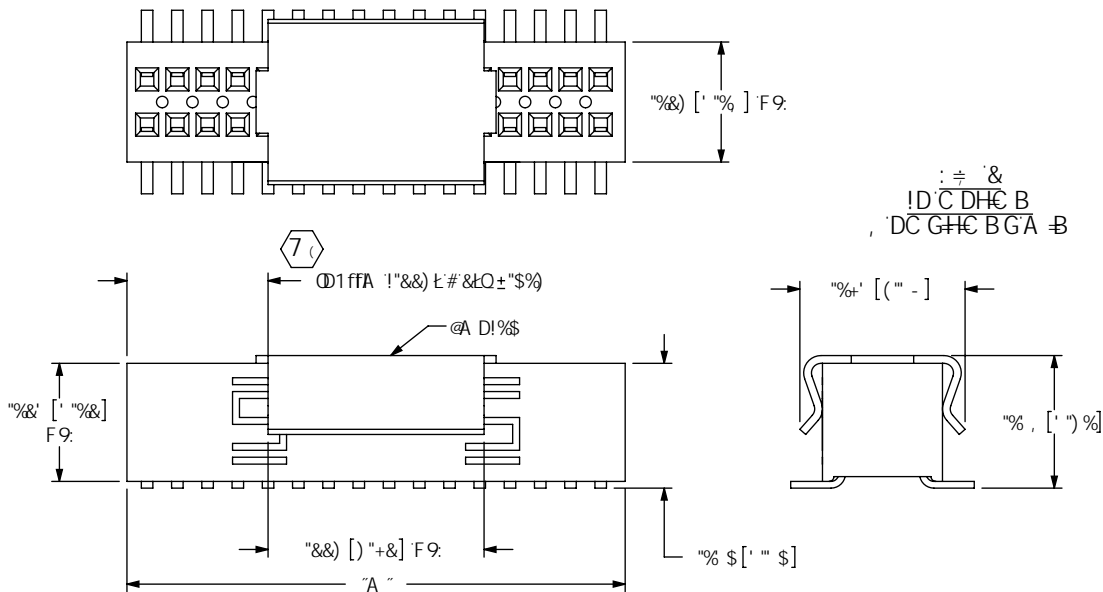
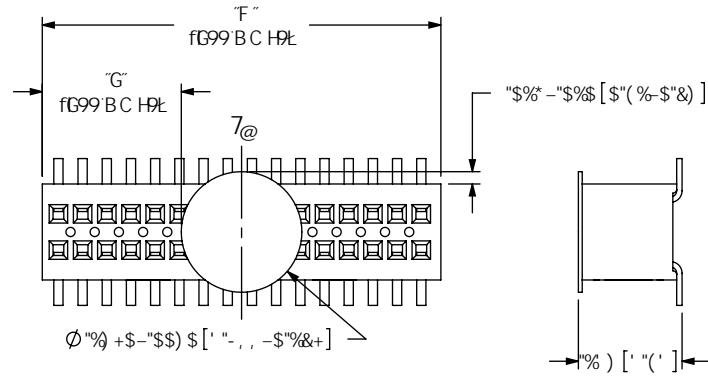


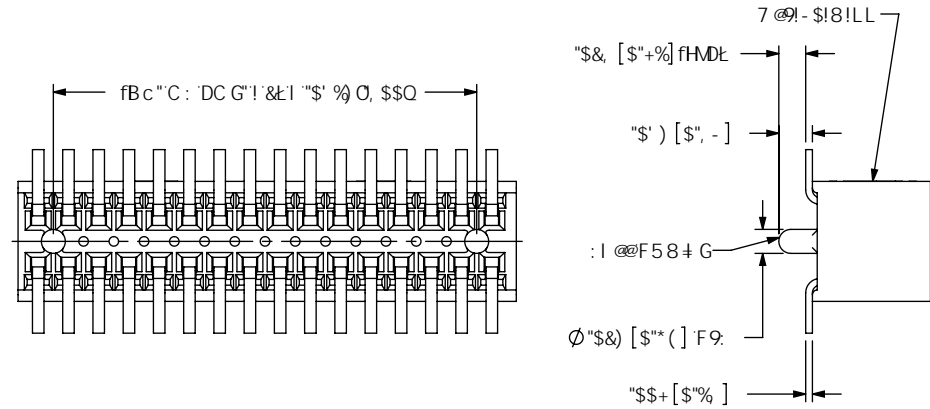
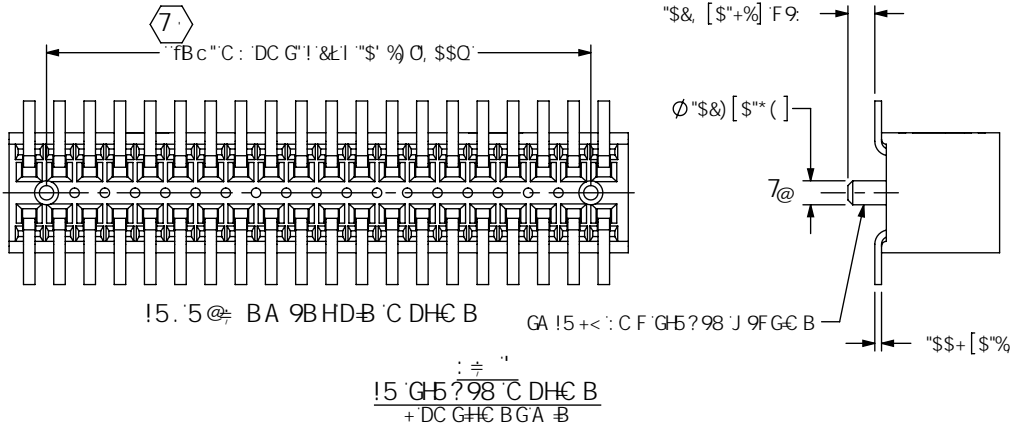
F9J €€ B '5I



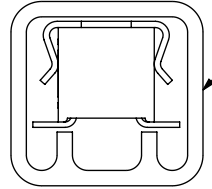
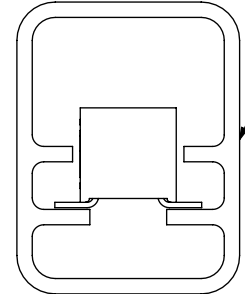
! ? . DC @MA 89 : @A 'D5.8
, 'DC GHC BGA B



BC HPL 'F '1 I G98 'A 95 G F98 '8-A 9B GC B FF 9: L
.....G'1 'G'F'!' '9+) Q '\$\$Q # & Q ± '\$&\$0 %Q



D57?5; B; J 9K



: C F '7 @!%\$ (#\$)!\$%L!8J /
7 @!%\$ (#\$)!\$%L!8J!5

5 @C H 9F 'DC GHC BG5B8 'C DHC BG

!5 'C DHC B 'FA C @898L
('DC GHC BGA B

D F C D F 9 H 5 F M B C H P
H: €8C 71 A 98H7 C B15 B G B: C F A 5 H C B
7 C B: @98H5 95B8 D F C D F 945 F H M C
GSA 147 2 87 '5B8 G-5 98B C H 69 F 90 F C 81 7 98
C F H 5 B G 9 F 98 H C C H: 9 F 8 C 7 1 A 9 B H C F
8 47 @C 98 H C C H: 9 F G C F I 98: C F 5 B M
D I F D C @9 C H: 9 F H: 5 B H: 5 H K < 7 < + H 5 G
C 615 B 98 K + € C I H H: 9 L D F 90 98 K F # H 68
7 C B 98 H C: GSA 147 2 87 "

8C 'BCHG7 5 @ 8F5K B:

G: 99H7 5 @ 9:) %

samtec

)&\$ D5F? 95G16@ 82B9K '5 @5BM B (+) \$
D<C B9: %&L ((! ' ' 5L., %&L- (.) \$ (+
Y1A UJ" 'bZc 4 GSA 147 'Vc a 'Vc XY')' &&

89G7 F DHC B:
" , A A '1 '%&A A '7 "@GC 7 ?9HGF D' 5 CG9A 6 @M

8K: "BC"
7 @!%L!LL!L!8J!LL

6M DI FJ € %\$#&' # -) G< 99H & C: &