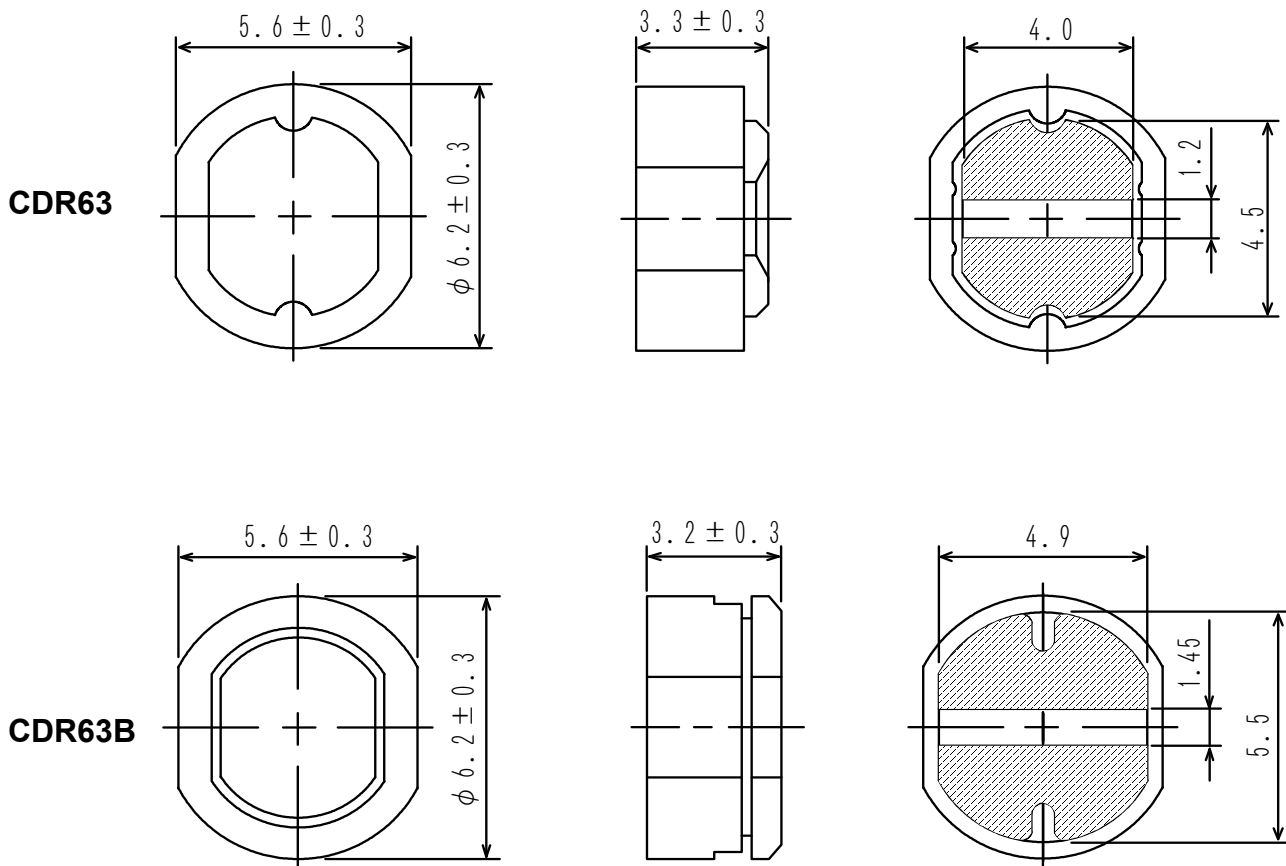


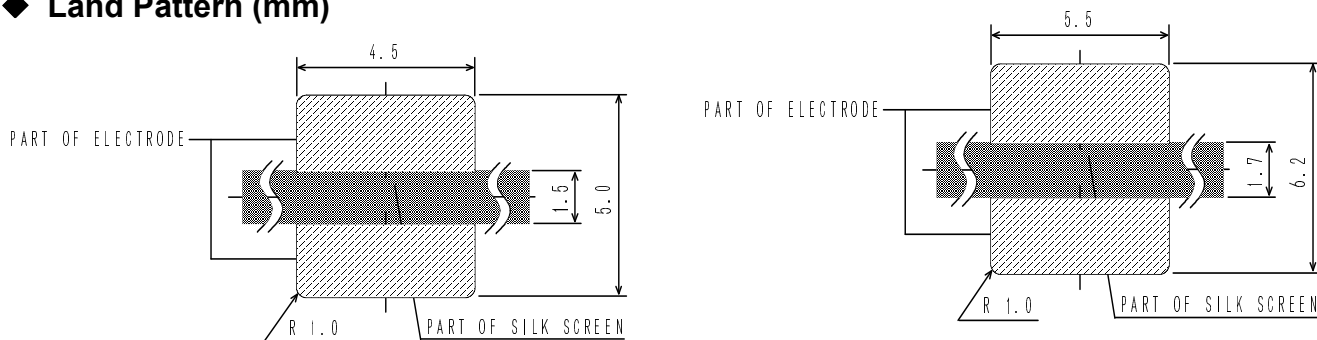
Type: CDR63, CDR63B
◆ Product Description

- 6.5 × 5.9mm Max. (L × W).
- Height : 3.6mm Max. (CDR63), 3.5mm Max. (CDR63B).
- Inductance range: 10 ~ 100 μH (CDR63) ; 10 ~ 68 μH (CDR63B)
- Rated current range: 0.3 ~ 0.8A (CDR63) ; 0.42 ~ 1.0A (CDR63B).
- In addition to the standards versions shown here, custom inductors are also available to meet your exact requirements.


◆ Feature

- Magnetically shielded construction.
- Ideally used in Notebook PC , LCD TV , Game machine , HDD, DSC/DVC, etc as DC-DC Converter inductors.
- RoHS Compliance.

◆ Dimensions (mm)


Type: CDR63, CDR63B
◆ Land Pattern (mm)

CDR63
CDR63B
◆ Specification(CDR63)

Part name ※	Stamp	Inductance (μ H) ※1	D.C.R.(Ω) MAX. (at 20°C)	Rated Current(A) ※2-1	S.R.F. (MHz) [Typ.]
CDR63NP-100M□	A	10 \pm 20%	0.13	0.80	37.7
CDR63NP-120M□	B	12 \pm 20%	0.14	0.74	31.7
CDR63NP-150M□	C	15 \pm 20%	0.15	0.70	28.9
CDR63NP-180M□	D	18 \pm 20%	0.18	0.64	26.7
CDR63NP-220M□	E	22 \pm 20%	0.25	0.62	23.7
CDR63NP-270M□	F	27 \pm 20%	0.34	0.57	18.9
CDR63NP-330L□	G	33 \pm 15%	0.37	0.52	17.0
CDR63NP-390L□	H	39 \pm 15%	0.39	0.45	16.6
CDR63NP-470L□	J	47 \pm 15%	0.43	0.40	16.2
CDR63NP-560L□	K	56 \pm 15%	0.50	0.37	13.8
CDR63NP-680L□	L	68 \pm 15%	0.53	0.35	13.1
CDR63NP-820L□	M	82 \pm 15%	0.75	0.32	11.8
CDR63NP-101K□	N	100 \pm 10%	0.85	0.30	11.1

※1.Measuring frequency: 10 μ H \sim 82 μ H(at 2.52 MHz) ; 100 μ H (at 1 kHz).

Type: CDR63,CDR63B
◆ Specification(CDR63B)

Part Name ※	Stamp	Inductance (μ H) (at 2.52 MHz)	D.C.R.(Ω) [Max.] (at 20°C)	Rated Current(A) ※2-2	S.R.F. (MHz) [Typ.]
CDR63BNP-100M□	A	10 \pm 20%	0.14	1.00	35.3
CDR63BNP-120M□	B	12 \pm 20%	0.16	0.94	32.2
CDR63BNP-150M□	C	15 \pm 20%	0.18	0.86	29.3
CDR63BNP-180M□	D	18 \pm 20%	0.25	0.78	26.7
CDR63BNP-220M□	E	22 \pm 20%	0.32	0.76	23.1
CDR63BNP-270M□	F	27 \pm 20%	0.36	0.64	20.8
CDR63BNP-330L□	G	33 \pm 15%	0.41	0.61	18.2
CDR63BNP-390L□	H	39 \pm 15%	0.47	0.53	17.0
CDR63BNP-470L□	J	47 \pm 15%	0.51	0.50	15.3
CDR63BNP-560L□	K	56 \pm 15%	0.72	0.46	14.1
CDR63BNP-680L□	L	68 \pm 15%	0.82	0.42	12.1

※ Description of part name

CDR63BNP-100M□

- B Box
- C Carrier Tape

※2-1. Rated current: The D.C. current at which the inductance decreases to 80% of it's nominal value or when $\Delta t=40^{\circ}\text{C}$, whichever is lower($T_a=20^{\circ}\text{C}$).

※2-2. Rated current: The D.C. current at which the inductance decreases to 90% of it's initial value or when $\Delta t=40^{\circ}\text{C}$, whichever is lower($T_a=20^{\circ}\text{C}$).