



PRODUCT DATASHEET

Brooke series

last update 14/4/2015

DETAILS

Product Number	C14370_BROOKE-SOCKET-VERO10
Family	Brooke
Type	Base part
Color	white
Diameter	33.4 x 26.1 mm
Height	1.8 mm
Style	
Optic Material	
Holder Material	PC
Fastening	screw
Status	ready
ROHS Compliant	Yes
Date Updated	14/04/2015



OPTICAL PROPERTIES

LED	Viewing Angle	Light Beam	Efficiency	cd/lm	Connector
Unknown	N/A deg		-	sim: 0.000	-

D

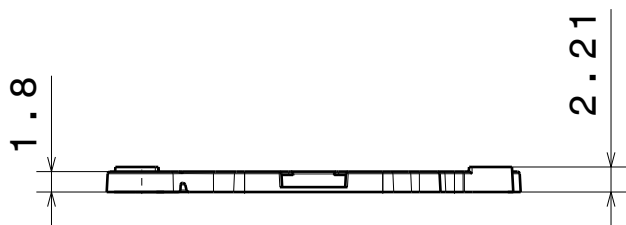
C

B

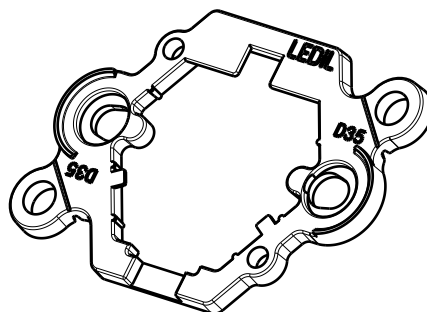
A

4

4



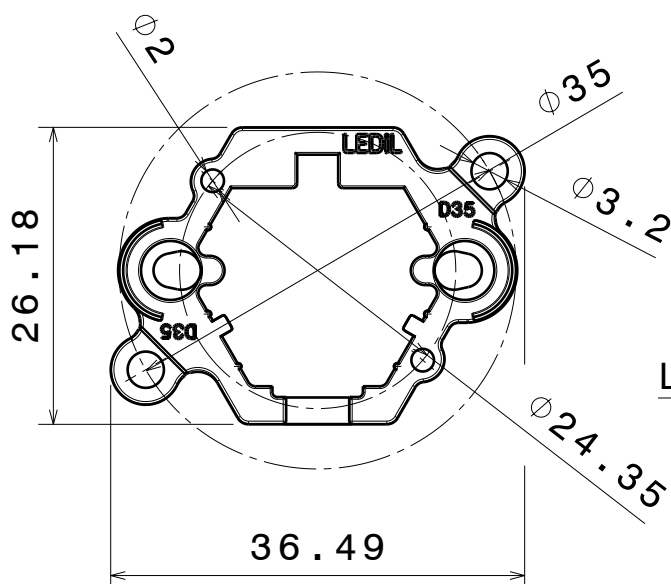
Front view



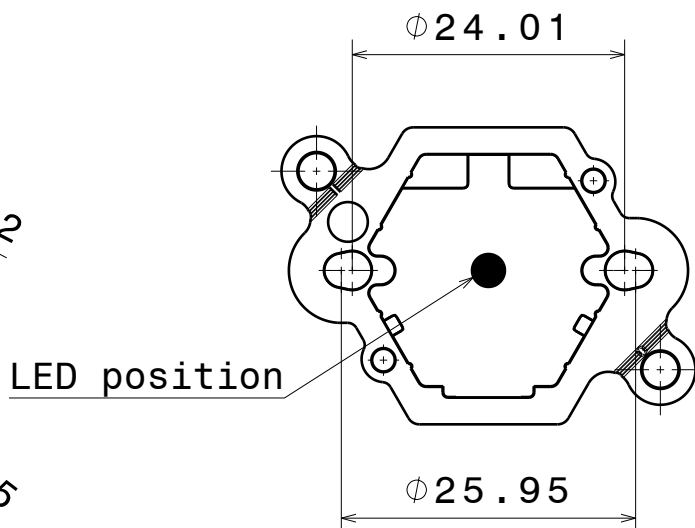
Isometric view

3

3



Top view



Bottom view

2

2

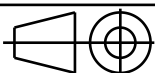
INDEX	PART NO	DESCRIPTION	MATERIAL	COLOUR
1	C14370	BROOKE-SOCKET-VER010	PC	white

Tolerances if not otherwise shown
According to DIN ISO 2768-1
Linear measures: class C
According to DIN ISO 2768-2
Form and position: class L

LEDiL

Ledil Oy
Salorankatu 10
FIN 24240 SALO
Finland

THIRD ANGLE PROJECTION:



DRAWING TITLE

C14370_BROOKE-SOCKET-VER010

This drawing is the property
of LEDiL Oy. It may not be
reproduced, copied or
communicated without a written
agreement with LEDiL Oy.

SIZE PART NUMBER

A4

C14370

SCALE

3:2

WEIGHT

0,64 g

SHEET

1/1

1

1

D

A

NOTE: The typical divergence will be changed by different color, chip size and chip position tolerance. The typical total divergence is the full angle measured where the luminous intensity is half of the peak value.