

Rack Number Switch

Each Expansion I/O and Expansion CPU Rack is assigned a rack number from 1 through 7. Set the rack number on the rack number switch. Words are allocated to Racks in order according to rack numbers, starting from the CPU Rack, which is always rack number 0.

Set the rack number switch using a standard screwdriver. If a number other than 1 through 7 is assigned, or the same rack number is set to more than one Rack, the PC will not operate

Note Turn OFF the power to the PC before setting the rack number switches.

Display

The display on the I/O Interface Unit is identical to that on the I/O Control Unit on the CPU Rack. For details on the data displayed in each mode, refer to 2-3-2 I/O Control Unit.

Peripheral Device Connector

The I/O Interface Unit CV500-II201 for Expansion I/O Racks provides a connector for connecting a Peripheral Device. One Peripheral Device (CVSS or Programming Console) can be connected per to the CPU or I/O Interface Units for each PC, although additional Peripheral Devices can be connected to Slave Racks if a SYSMAC BUS/2 System is used. Whether mounted to the CPU or an I/O Interface Unit, the operation of the Peripheral Device is the same.

Note When connecting a Peripheral Device to the CPU or an I/O Interface Unit, set the baud rate of the CPU to 50k bps via the CPU DIP switch.

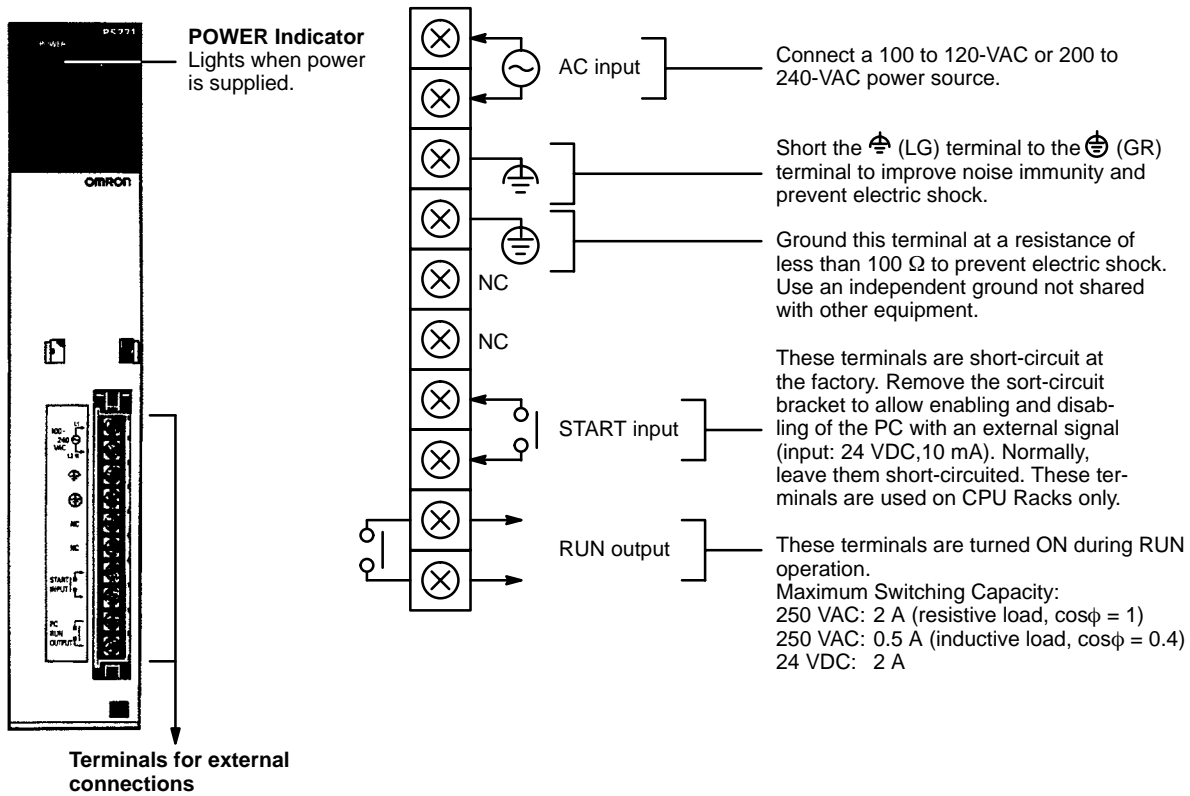
2-3-4 Power Supply Units

The Power Supply Unit is available in three models. The CV500-PS221 and CVM1-PA208 run on 100 to 120 VAC or 200 to 240 VAC, and the CV500-PS211 runs on 24 VDC. Both Power Supply Units can be used with any CPU Rack, Expansion CPU Rack, Expansion I/O Rack, or Remote I/O Slave Rack. The table below summarizes the output capacity of the two models.

Model	Supply voltage	Output power
CVM1-PA208	100 to 120/200 to 240 VAC	8 A at 5 VDC
CV500-PS221		12 A at 5 VDC
CV500-PS211	24 VDC	12 A at 5 VDC

Note The total power consumed by each Rack must be within the values stated in the table above. For example, do not mount Units with a total current consumption greater than 12 A to a Rack supplied by a 12-A Power Supply Unit.

CV500-PS221/CVM1-PA208



CV500-PS211

