

CGA6L1X7T2J104M160AC

TDK Item Description : CGA6L1X7T2J104MT*****

Equivalent C3225X7T2J104M for Automotive

Application & Main Feature

Automotive Grade (Mid Voltage (100 to 630V))

Series

CGA6(3225) [EIA CC1210]

Dimensions

| | | |
|---|-------------|----------|
| L | 3.20mm | +/-0.4mm |
| W | 2.50mm | +/-0.3mm |
| T | 1.60mm | +/-0.2mm |
| B | 0.20mm Min. | |
| G | | |

Temperature Characteristic

X7T (-55 to 125 degC +22,-33%)

Rated Voltage

2J (630Vdc)

Capacitance

100nF

Capacitance Tolerance

M (+/-20%)

Dissipation Factor

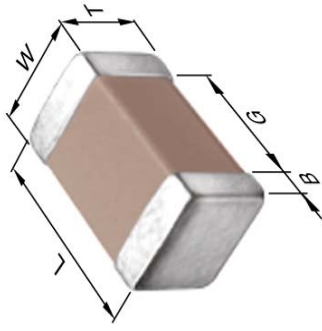
2.5% Max.

Insulation Resistance

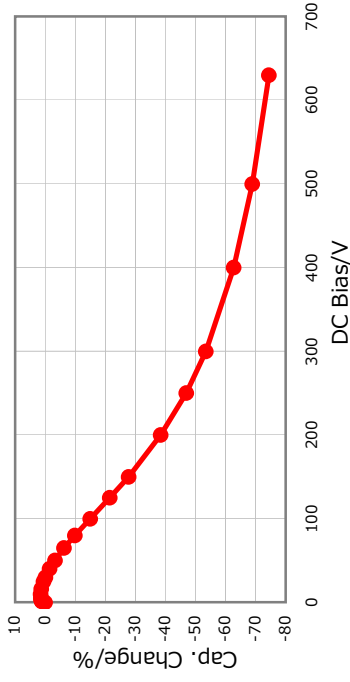
5Gohm Min.

AEC-Q200

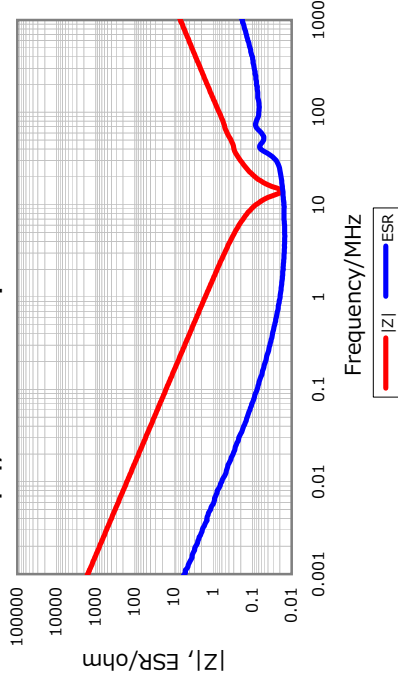
Yes



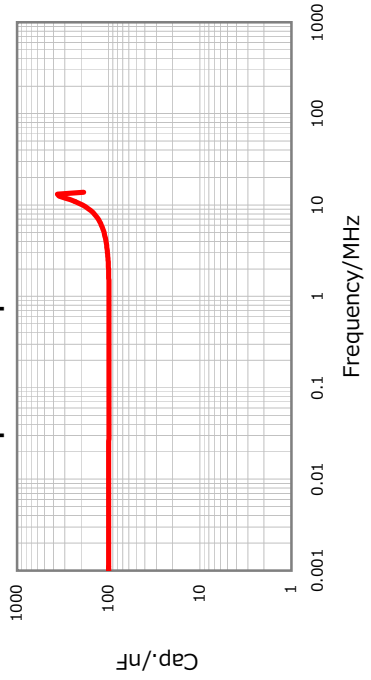
DC Bias Characteristic



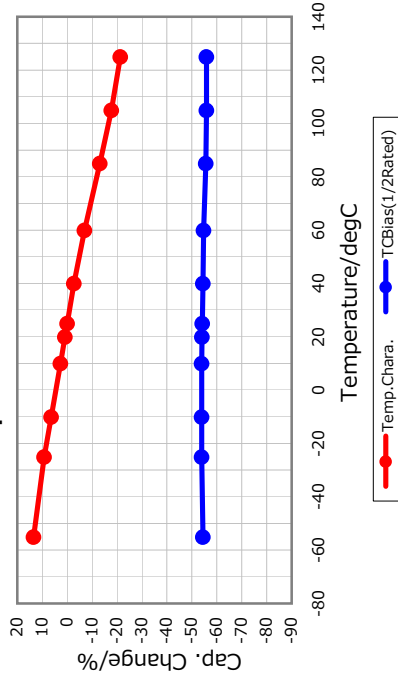
|Z|, ESR vs. Freq. Characteristics



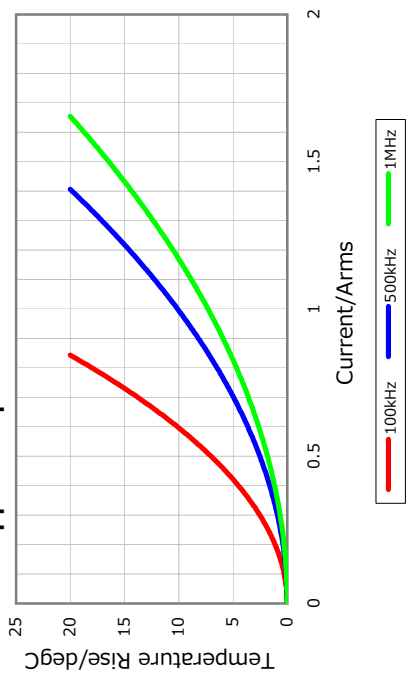
Cap. vs. Freq. Characteristic



Temperature Characteristics



Ripple Temperature Rise Characteristics



All specifications are subject to change without notice.

January 4, 2016