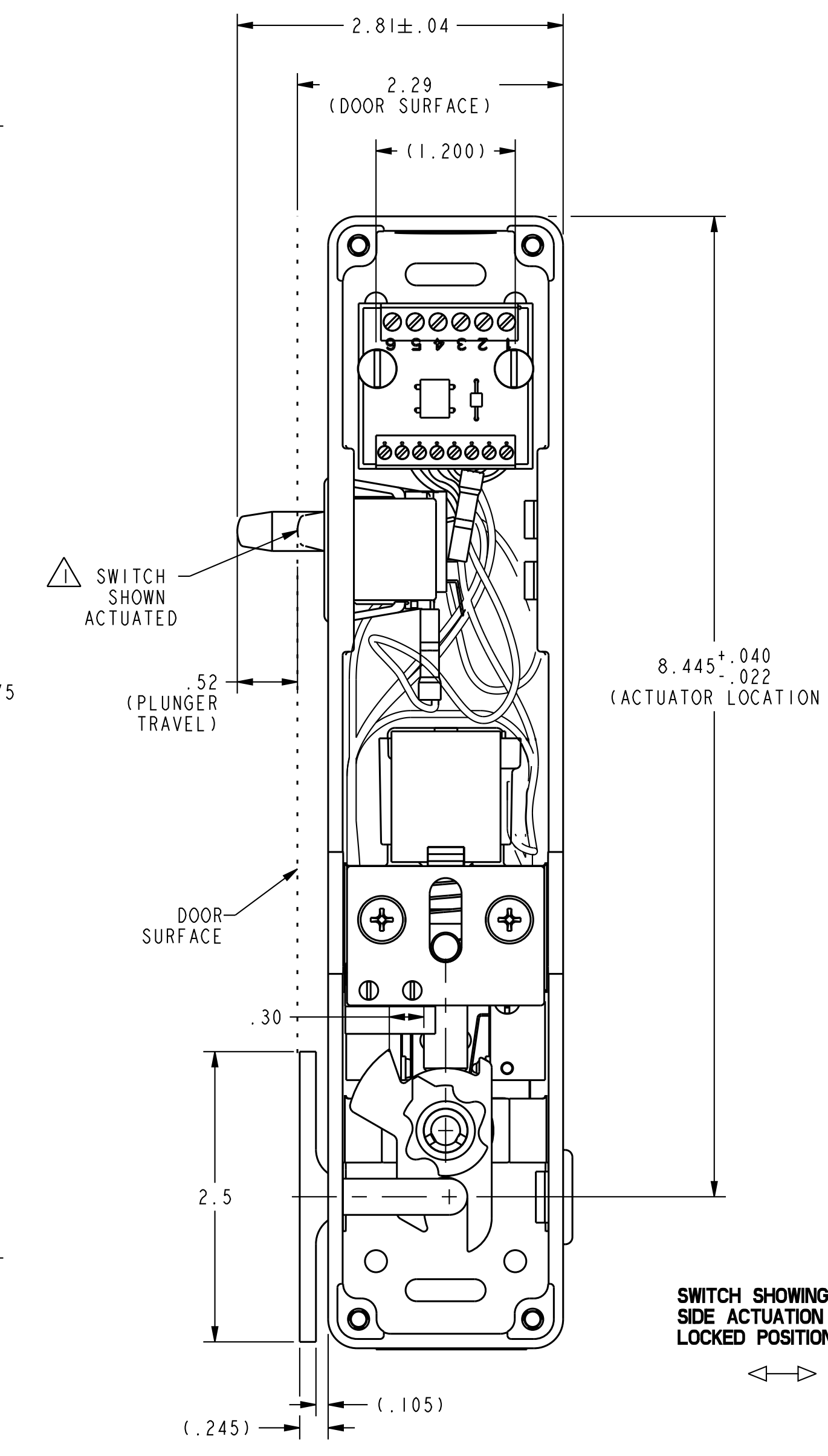
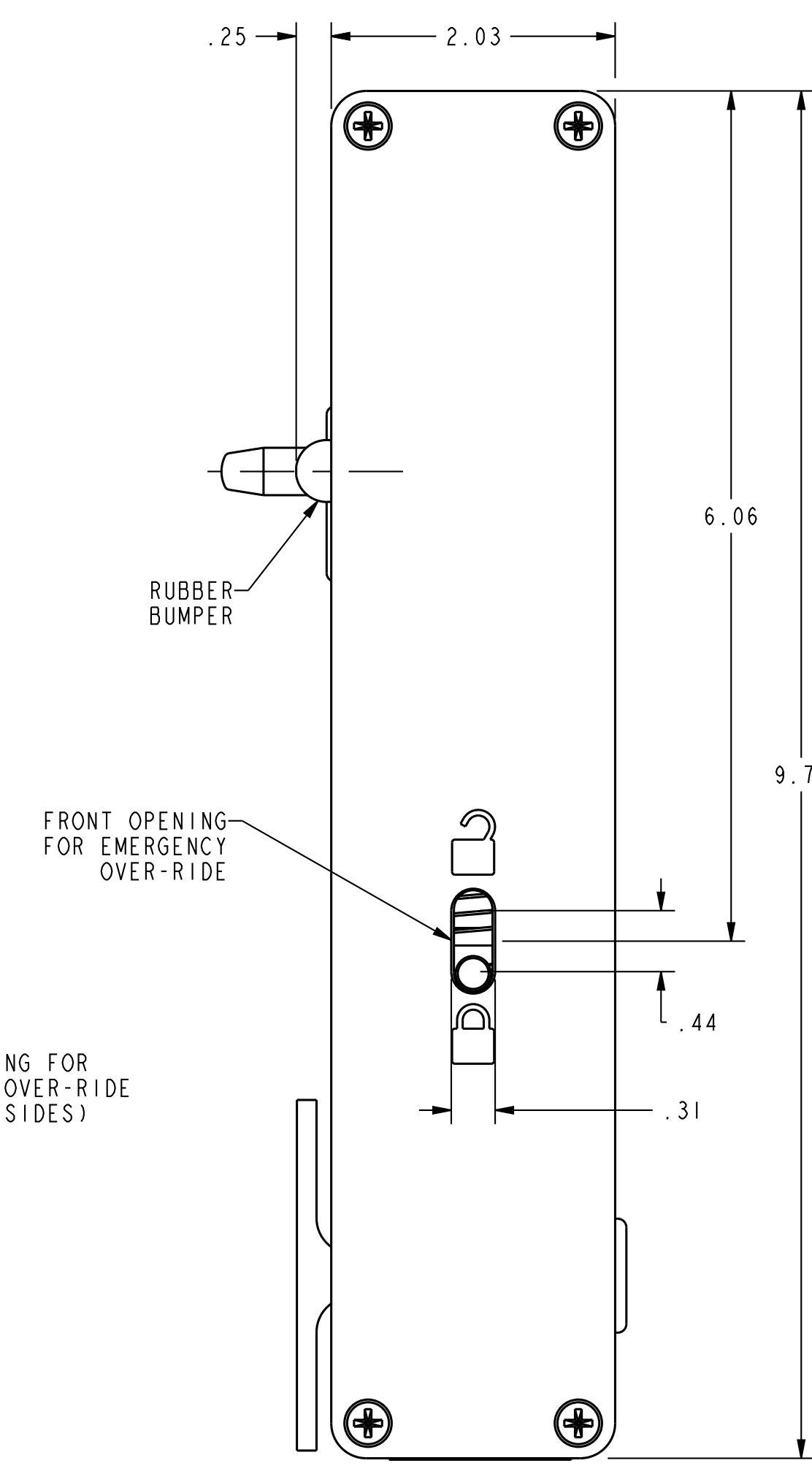
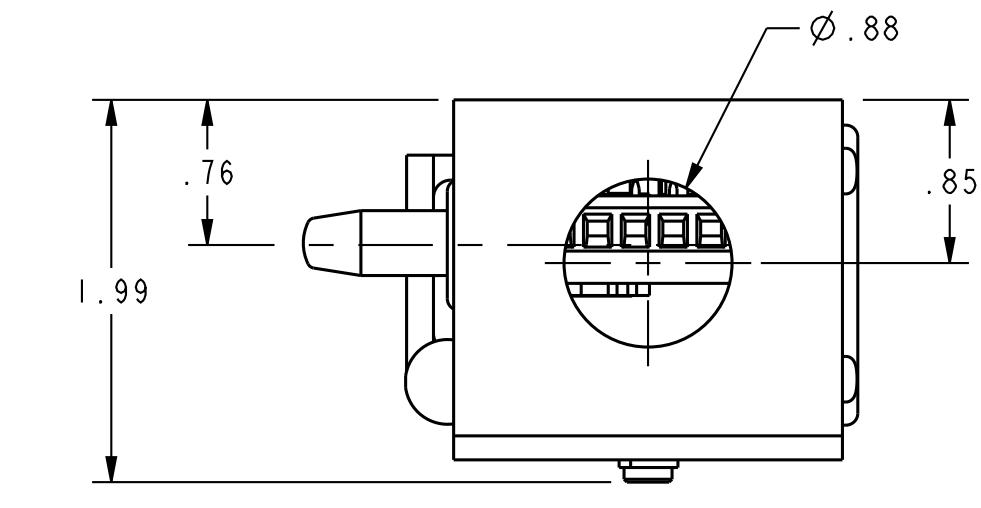
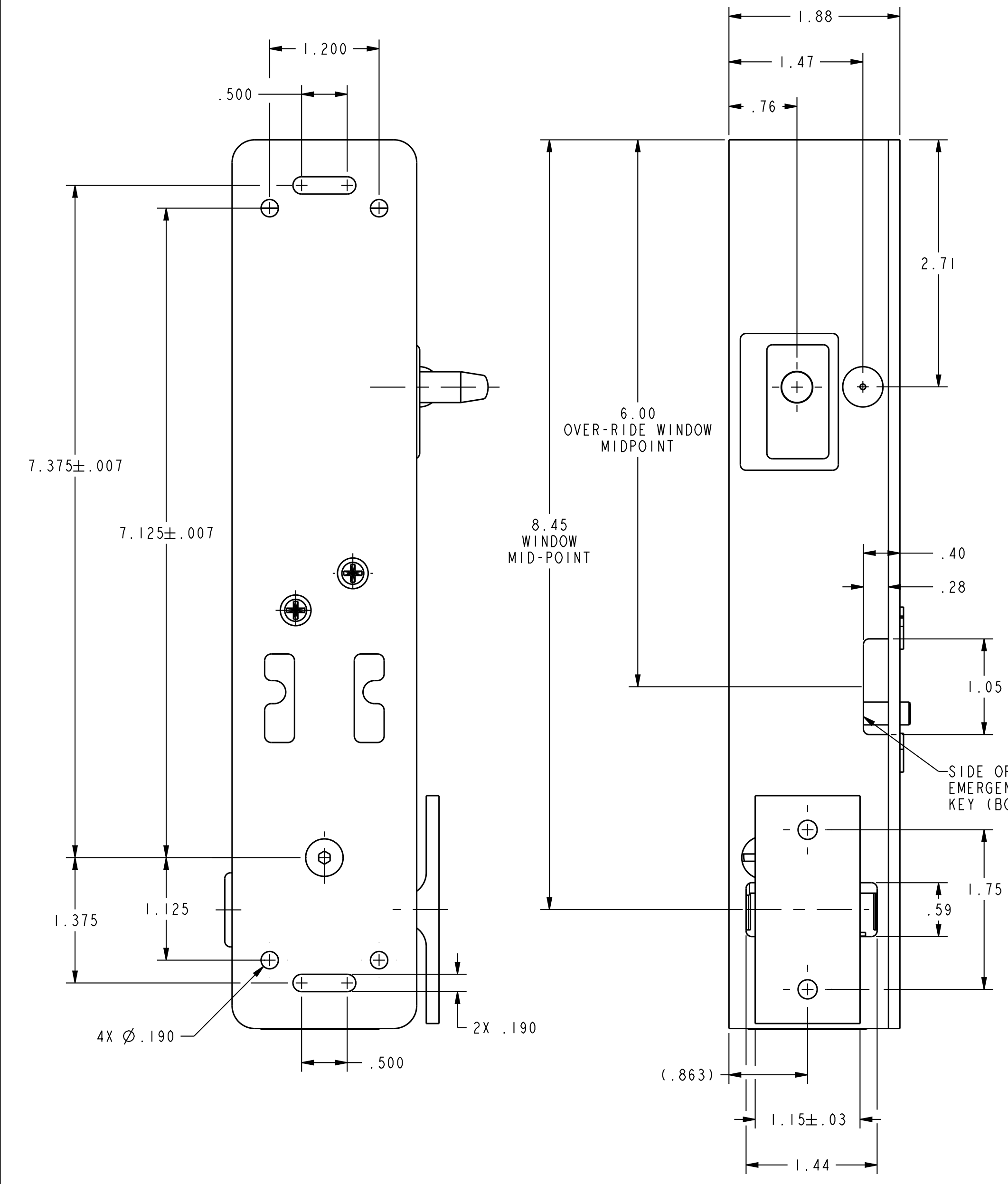
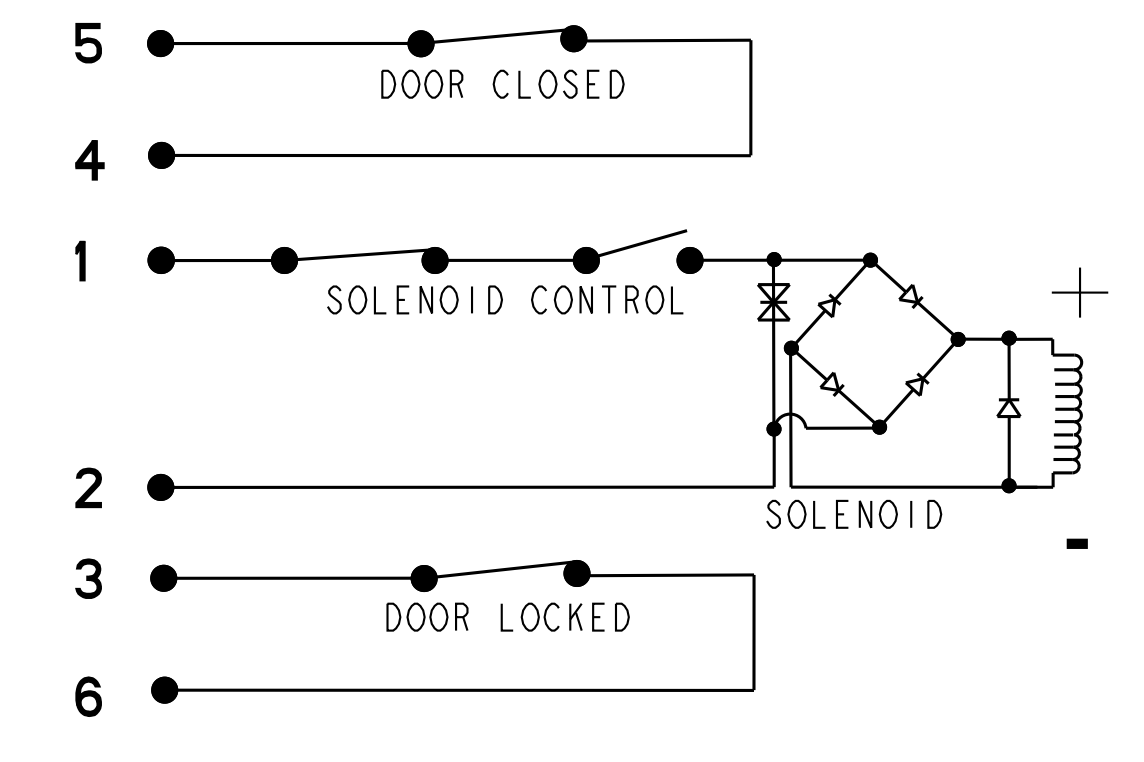


PART NUMBER  
CDILBPIW

| REVISION HISTORY |          |                 |          |            |           |
|------------------|----------|-----------------|----------|------------|-----------|
| REV              | DOCUMENT | DESCRIPTION     | CHG'D BY | DATE       | APPROVED  |
| A                | 0075457  | RELEASE PER ECO | NMN      | 2012-12-11 | K. BALAJI |

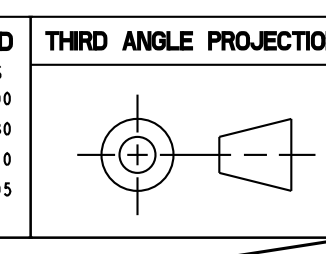
**ELECTRICAL SCHEMATIC**



SWITCH SHOWING LEFT SIDE ACTUATION IN THE LOCKED POSITION

| APPROVALS                |                                                                     |
|--------------------------|---------------------------------------------------------------------|
| APPROVALS COVERAGE       | UL104/ASME17.1/CSA B44.1 FOR COMMERCIAL USE                         |
| ELECTRICAL RATINGS       |                                                                     |
| VOLTAGE                  | 24 VAC 24VDC                                                        |
| CURRENT                  | 0.35A 60Hz 0.2A                                                     |
| ENVIRONMENTAL            |                                                                     |
| OPERATING TEMPERATURE    | +4° TO +38°C (+40° TO +100°F)                                       |
| STORAGE TEMPERATURE      | -40° TO 60° C (-40° TO +140°F)                                      |
| MATERIAL OF CONSTRUCTION |                                                                     |
| ACTUATOR KEY             | INVESTMENT CAST STAINLESS STEEL WITH POWDER COAT FINISH WHITE COLOR |
| CAM                      | INVESTMENT CAST STAINLESS STEEL                                     |
| COVER                    | DIE CAST ZINC WITH POWDER COAT FINISH WHITE COLOR                   |
| HOUSING                  | DIE CAST ZINC WITH POWDER COAT FINISH WHITE COLOR                   |

| UNLESS OTHERWISE SPECIFIED      |       |
|---------------------------------|-------|
| DIMENSIONS ARE IN INCHES        |       |
| DECIMAL TOL                     |       |
| NO PLACE                        | ±.400 |
| 1 PLACE                         | ±.030 |
| 2 PLACE                         | ±.010 |
| 3 PLACE                         | ±.005 |
| ANGULAR TOL - ±2° CHAMFER - ±3° |       |



| Honeywell                                               |            |                |            |                                                                                                                                                                                                                                                   |
|---------------------------------------------------------|------------|----------------|------------|---------------------------------------------------------------------------------------------------------------------------------------------------------------------------------------------------------------------------------------------------|
| TITLE                                                   |            |                |            |                                                                                                                                                                                                                                                   |
| <b>SWITCH, ASSEMBLY</b>                                 |            |                |            |                                                                                                                                                                                                                                                   |
| SIZE                                                    | CAGE CODE  | DWG NO         | TYPE       | REV                                                                                                                                                                                                                                               |
| D                                                       | -          | CDILBPIW       | I          | A                                                                                                                                                                                                                                                 |
| SCALE                                                   | 1:1        | REF WT: -      | SHEET      | 1 of 1                                                                                                                                                                                                                                            |
| RELEASE DATE                                            | 2012-12-05 | DRW: K. NAVEEN | 2012-12-05 | <b>HONEYWELL CONFIDENTIAL</b><br><small>THIS DOCUMENT CONTAINS PROPRIETARY INFORMATION AND SUCH INFORMATION MAY NOT BE DISCLOSED TO OTHERS FOR ANY PURPOSE, NOR USED FOR MANUFACTURING PURPOSES WITHOUT WRITTEN PERMISSION FROM HONEYWELL</small> |
| APPLICABLE DOCUMENTS: ASME Y14.100-2004 ASME Y14.5-2009 |            | RDE: K. BALAJI | 2012-12-05 |                                                                                                                                                                                                                                                   |
| COMPUTER GENERATED DRAWING: PRO/ENGINEER                |            | OA: -          | 2012-12-05 |                                                                                                                                                                                                                                                   |

# Mouser Electronics

Authorized Distributor

Click to View Pricing, Inventory, Delivery & Lifecycle Information:

[Honeywell:](#)

[CDILBP1W](#)