

# CAT5115

## 32-Tap Digitally Programmable Potentiometer (DPP™)

### Description

The CAT5115 is a single digitally programmable potentiometer (DPP™) designed as an electronic replacement for mechanical potentiometers and trim pots. Ideal for automated adjustments on high volume production lines, they are also well suited for applications where equipment requiring periodic adjustment is either difficult to access or located in a hazardous or remote environment.

The CAT5115 contains a 32-tap series resistor array connected between two terminals  $R_H$  and  $R_L$ . An up/down counter and decoder that are controlled by three input pins, determines which tap is connected to the wiper,  $R_W$ . The wiper is always set to the mid point, tap 15 at power up. The tap position is not stored in memory. Wiper-control of the CAT5115 is accomplished with three input control pins,  $\overline{CS}$ ,  $U/\overline{D}$ , and  $\overline{INC}$ . The  $\overline{INC}$  input increments the wiper in the direction which is determined by the logic state of the  $U/\overline{D}$  input. The  $\overline{CS}$  input is used to select the device.

The digitally programmable potentiometer can be used as a three-terminal resistive divider or as a two-terminal variable resistor. DPPs bring variability and programmability to a wide variety of applications including control, parameter adjustments, and signal processing.

For a pin-compatible device that recalls a stored tap position on power-up refer to the CAT5114 data sheet.

### Features

- 32-position Linear Taper Potentiometer
- Low Power CMOS Technology
- Single Supply Operation: 2.5 V – 6.0 V
- Increment Up/Down Serial Interface
- Resistance Values: 10 k $\Omega$ , 50 k $\Omega$  and 100 k $\Omega$
- Available in PDIP, SOIC, TSSOP, MSOP and Space Saving 2 x 2.5 mm TDFN Packages
- These Devices are Pb-Free, Halogen Free/BFR Free and are RoHS Compliant

### Applications

- Automated Product Calibration
- Remote Control Adjustments
- Offset, Gain and Zero Control
- Tamper-proof Calibrations
- Contrast, Brightness and Volume Controls
- Motor Controls and Feedback Systems
- Programmable Analog Functions



ON Semiconductor®

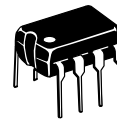
<http://onsemi.com>



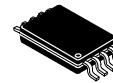
SOIC-8  
V SUFFIX  
CASE 751BD



MSOP-8  
Z SUFFIX  
CASE 846AD



PDIP-8  
L SUFFIX  
CASE 646AA

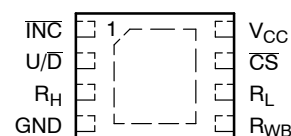
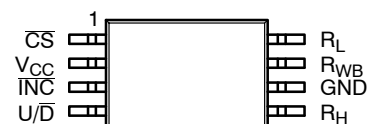
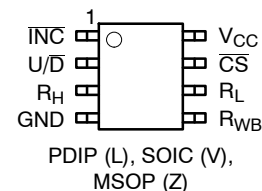


TSSOP-8  
Y SUFFIX  
CASE 948AL



TDFN-8  
ZD7 SUFFIX  
CASE 511AJ

### PIN CONFIGURATIONS



TDFN (ZD7)  
(Top Views)

### ORDERING INFORMATION

See detailed ordering and shipping information in the package dimensions section on page 13 of this data sheet.

Functional Diagram

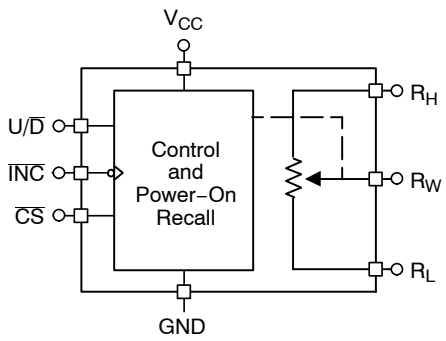


Figure 1. General

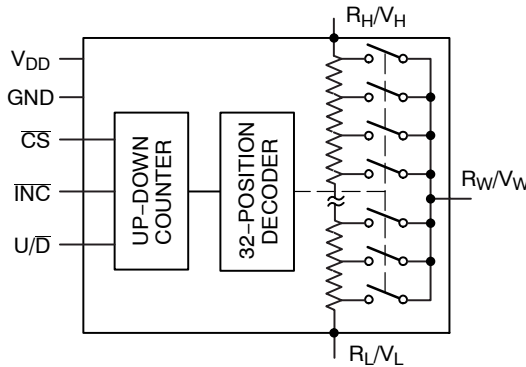


Figure 2. Detailed

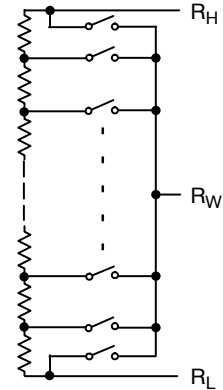


Figure 3. Electronic Potentiometer Implementation

Table 1. PIN DESCRIPTIONS

| Name            | Function                    |
|-----------------|-----------------------------|
| INC             | Increment Control           |
| U/D             | Up/Down Control             |
| R <sub>H</sub>  | Potentiometer High Terminal |
| GND             | Ground                      |
| R <sub>W</sub>  | Buffered Wiper Terminal     |
| R <sub>L</sub>  | Potentiometer Low Terminal  |
| CS              | Chip Select                 |
| V <sub>CC</sub> | Supply Voltage              |

Pin Function

**INC:** Increment Control Input

The INC input moves the wiper in the up or down direction determined by the condition of the U/D input.

**U/D:** Up/Down Control Input

The U/D input controls the direction of the wiper movement. When in a high state and CS is low, any high-to-low transition on INC will cause the wiper to move one increment toward the R<sub>H</sub> terminal. When in a low state and CS is low, any high-to-low transition on INC will cause the wiper to move one increment towards the R<sub>L</sub> terminal.

**R<sub>H</sub>:** High End Potentiometer Terminal

R<sub>H</sub> is the high end terminal of the potentiometer. It is not required that this terminal be connected to a potential greater than the R<sub>L</sub> terminal. Voltage applied to the R<sub>H</sub> terminal cannot exceed the supply voltage, V<sub>CC</sub> or go below ground, GND.

**R<sub>W</sub>:** Wiper Potentiometer Terminal

R<sub>W</sub> is the wiper terminal of the potentiometer. Its position on the resistor array is controlled by the control inputs, INC,

U/D and CS. Voltage applied to the R<sub>W</sub> terminal cannot exceed the supply voltage, V<sub>CC</sub> or go below ground, GND.

**R<sub>L</sub>:** Low End Potentiometer Terminal

R<sub>L</sub> is the low end terminal of the potentiometer. It is not required that this terminal be connected to a potential less than the R<sub>H</sub> terminal. Voltage applied to the R<sub>L</sub> terminal cannot exceed the supply voltage, V<sub>CC</sub> or go below ground, GND. R<sub>L</sub> and R<sub>H</sub> are electrically interchangeable.

**CS:** Chip Select

The chip select input is used to activate the control input of the CAT5115 and is active low. When in a high state, activity on the INC and U/D inputs will not affect or change the position of the wiper.

Device Operation

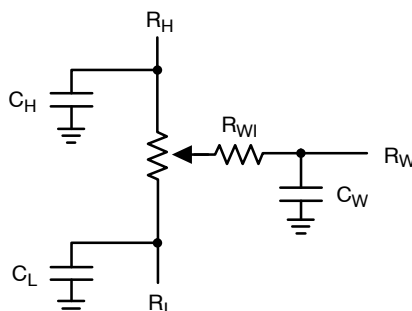
The CAT5115 operates like a digitally controlled potentiometer with R<sub>H</sub> and R<sub>L</sub> equivalent to the high and low terminals and R<sub>W</sub> equivalent to the mechanical potentiometer's wiper. There are 32 available tap positions including the resistor end points, R<sub>H</sub> and R<sub>L</sub>. There are 31 resistor elements connected in series between the R<sub>H</sub> and R<sub>L</sub> terminals. The wiper terminal is connected to one of the 32 taps and controlled by three inputs, INC, U/D and CS. These inputs control a five-bit up/down counter whose output is decoded to select the wiper position.

With CS set LOW the CAT5115 is selected and will respond to the U/D and INC inputs. HIGH to LOW transitions on INC will increment or decrement the wiper (depending on the state of the U/D input and five-bit counter). The wiper, when at either fixed terminal, acts like its mechanical equivalent and does not move beyond the last position. When the CAT5115 is powered-down, the wiper position is reset. When power is restored, the counter is set to the mid point, tap 15.

# CAT5115

**Table 2. OPERATION MODES**

| INC         | CS          | U/D  | Operation                   |
|-------------|-------------|------|-----------------------------|
| High to Low | Low         | High | Wiper toward H              |
| High to Low | Low         | Low  | Wiper toward L              |
| High        | Low to High | X    | Store Wiper Position        |
| Low         | Low to High | X    | No Store, Return to Standby |
| X           | High        | X    | Standby                     |



**Figure 4. Potentiometer Equivalent Circuit**

**Table 3. ABSOLUTE MAXIMUM RATINGS**

| Parameters   | Ratings                | Units |
|--|------------------------|-------|
| Supply Voltage<br>$V_{CC}$ to GND                        | -0.5 to +7             | V     |
| Inputs<br>CS to GND                                      | -0.5 to $V_{CC} + 0.5$ | V     |
| INC to GND   | -0.5 to $V_{CC} + 0.5$ | V     |
| U/D to GND   | -0.5 to $V_{CC} + 0.5$ | V     |
| H to GND   | -0.5 to $V_{CC} + 0.5$ | V     |
| L to GND   | -0.5 to $V_{CC} + 0.5$ | V     |
| W to GND   | -0.5 to $V_{CC} + 0.5$ | V     |
| Operating Ambient Temperature<br>Industrial ('I' suffix) | -40 to +85             | °C    |
| Junction Temperature                                     | +150                   | °C    |
| Storage Temperature                                      | -65 to 150             | °C    |
| Lead Soldering (10 s max)                                | +300                   | °C    |

Stresses exceeding Maximum Ratings may damage the device. Maximum Ratings are stress ratings only. Functional operation above the Recommended Operating Conditions is not implied. Extended exposure to stresses above the Recommended Operating Conditions may affect device reliability.

**Table 4. RELIABILITY CHARACTERISTICS**

| Symbol                 | Parameter          | Test Method                   | Min       | Typ | Max | Units  |
|------------------------|--------------------|-------------------------------|-----------|-----|-----|--------|
| $V_{ZAP}$ (Note 1)     | ESD Susceptibility | MIL-STD-883, Test Method 3015 | 2000      |     |     | V      |
| $I_{LTH}$ (Notes 1, 2) | Latch-Up           | JEDEC Standard 17             | 100       |     |     | mA     |
| $T_{DR}$               | Data Retention     | MIL-STD-883, Test Method 1008 | 100       |     |     | Years  |
| $N_{END}$              | Endurance          | MIL-STD-883, Test Method 1003 | 1,000,000 |     |     | Stores |

1. This parameter is tested initially and after a design or process change that affects the parameter.
2. Latch-up protection is provided for stresses up to 100 mA on address and data pins from -1 V to  $V_{CC} + 1$  V.

# CAT5115

**Table 5. DC ELECTRICAL CHARACTERISTICS** ( $V_{CC} = +2.5\text{ V to }+6\text{ V}$  unless otherwise specified)

| Symbol                               | Parameter                     | Conditions   | Min                 | Typ      | Max                 | Units                   |
|--------------------------------------|-------------------------------|--|---------------------|----------|---------------------|-------------------------|
| <b>POWER SUPPLY</b>                  |                               |  |                     |          |                     |                         |
| $V_{CC}$                             | Operating Voltage Range       |  | 2.5                 | –        | 6.0                 | V                       |
| $I_{CC1}$                            | Supply Current (Increment)    | $V_{CC} = 6\text{ V}, f = 1\text{ MHz}, I_W = 0$   | –                   | –        | 100                 | $\mu\text{A}$           |
|                                      |                               | $V_{CC} = 6\text{ V}, f = 250\text{ kHz}, I_W = 0$   | –                   | –        | 50                  | $\mu\text{A}$           |
| $I_{SB1}$ (Note 4)                   | Supply Current (Standby)      | $\overline{CS} = V_{CC} - 0.3\text{ V}$<br>$U/\overline{D}, \overline{INC} = V_{CC} - 0.3\text{ V}$ or GND | –                   | 0.01     | 1                   | $\mu\text{A}$           |
| <b>LOGIC INPUTS</b>                  |                               |  |                     |          |                     |                         |
| $I_{IH}$                             | Input Leakage Current         | $V_{IN} = V_{CC}$  | –                   | –        | 10                  | $\mu\text{A}$           |
| $I_{IL}$                             | Input Leakage Current         | $V_{IN} = 0\text{ V}$  | –                   | –        | –10                 | $\mu\text{A}$           |
| $V_{IH1}$                            | TTL High Level Input Voltage  | $4.5\text{ V} \leq V_{CC} \leq 5.5\text{ V}$   | 2                   | –        | $V_{CC}$            | V                       |
| $V_{IL1}$                            | TTL Low Level Input Voltage   |  | 0                   | –        | 0.8                 | V                       |
| $V_{IH2}$                            | CMOS High Level Input Voltage | $2.5\text{ V} \leq V_{CC} \leq 6\text{ V}$   | $V_{CC} \times 0.7$ | –        | $V_{CC} + 0.3$      | V                       |
| $V_{IL2}$                            | CMOS Low Level Input Voltage  |  | –0.3                | –        | $V_{CC} \times 0.2$ | V                       |
| <b>POTENTIOMETER CHARACTERISTICS</b> |                               |  |                     |          |                     |                         |
| $R_{POT}$                            | Potentiometer Resistance      | –10 Device   |                     | 10       |                     | k $\Omega$              |
|                                      |                               | –50 Device   |                     | 50       |                     |                         |
|                                      |                               | –00 Device   |                     | 100      |                     |                         |
|                                      | Pot. Resistance Tolerance     |  |                     |          | $\pm 20$            | %                       |
| $V_{RH}$                             | Voltage on $R_H$ pin          |  | 0                   |          | $V_{CC}$            | V                       |
| $V_{RL}$                             | Voltage on $R_L$ pin          |  | 0                   |          | $V_{CC}$            | V                       |
|                                      | Resolution                    |  |                     | 3.2      |                     | %                       |
| INL                                  | Integral Linearity Error      | $I_W \leq 2\ \mu\text{A}$  |                     | 0.5      | 1                   | LSB                     |
| DNL                                  | Differential Linearity Error  | $I_W \leq 2\ \mu\text{A}$  |                     | 0.25     | 0.5                 | LSB                     |
| $R_{WI}$                             | Wiper Resistance              | $V_{CC} = 5\text{ V}, I_W = 1\text{ mA}$   |                     | 70       | 200                 | $\Omega$                |
|                                      |                               | $V_{CC} = 2.5\text{ V}, I_W = 1\text{ mA}$   |                     | 150      | 400                 | $\Omega$                |
| $I_W$                                | Wiper Current                 | (1)  |                     |          | 1                   | mA                      |
| $TC_{RPOT}$                          | TC of Pot Resistance          |  |                     | $\pm 50$ | $\pm 300$           | ppm/ $^{\circ}\text{C}$ |
| $TC_{RATIO}$                         | Ratiometric TC                |  |                     |          | 20                  | ppm/ $^{\circ}\text{C}$ |
| $V_N$                                | Noise                         | 100 kHz / 1 kHz  |                     | 8/24     |                     | nV/ $\sqrt{\text{Hz}}$  |
| $C_H/C_L/C_W$                        | Potentiometer Capacitances    |  |                     | 8/8/25   |                     | pF                      |
| fc                                   | Frequency Response            | Passive Attenuator, 10 k $\Omega$  |                     | 1.7      |                     | MHz                     |

3. This parameter is tested initially and after a design or process change that affects the parameter.

4. Latch-up protection is provided for stresses up to 100 mA on address and data pins from  $-1\text{ V}$  to  $V_{CC} + 1\text{ V}$ .

5.  $I_W$  = source or sink.

6. These parameters are periodically sampled and are not 100% tested.

**Table 6. AC TEST CONDITIONS**

|                           |  |
|---------------------------|--|
| V <sub>CC</sub> Range     | 2.5 V ≤ V <sub>CC</sub> ≤ 6.0 V                |
| Input Pulse Levels        | 0.2 × V <sub>CC</sub> to 0.7 × V <sub>CC</sub> |
| Input Rise and Fall Times | 10 ns  |
| Input Reference Levels    | 0.5 × V <sub>CC</sub>                          |

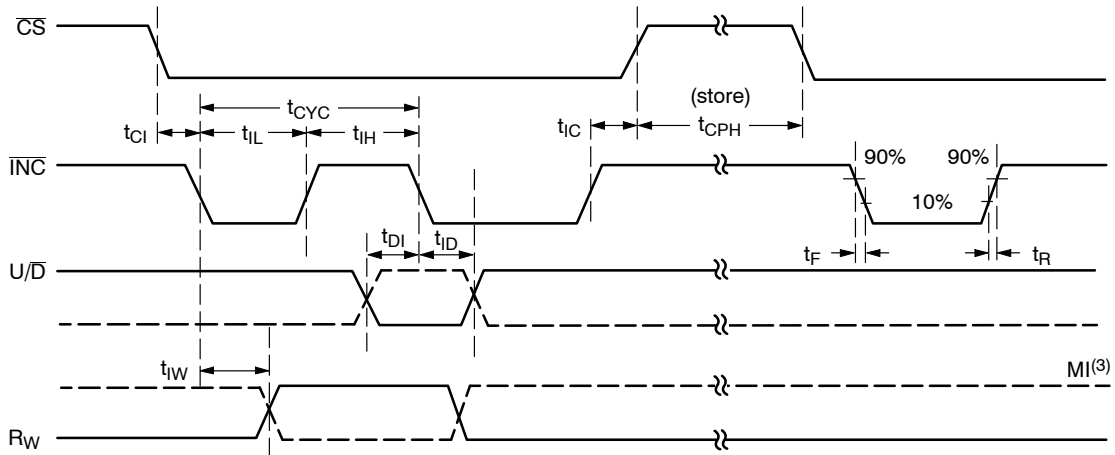
**Table 7. AC OPERATING CHARACTERISTICS** (V<sub>CC</sub> = +2.5 V to +6.0 V, V<sub>H</sub> = V<sub>CC</sub>, V<sub>L</sub> = 0 V, unless otherwise specified)

| Symbol                                   | Parameter  | Min | Typ (Note 7) | Max | Units |
|--|--|-----|--------------|-----|-------|
| t <sub>CI</sub>                          | CS to $\overline{\text{INC}}$ Setup                | 100 | -            | -   | ns    |
| t <sub>DI</sub>                          | U/D to $\overline{\text{INC}}$ Setup               | 50  | -            | -   | ns    |
| t <sub>ID</sub>                          | U/D to $\overline{\text{INC}}$ Hold                | 100 | -            | -   | ns    |
| t <sub>IL</sub>                          | $\overline{\text{INC}}$ LOW Period                 | 250 | -            | -   | ns    |
| t <sub>IH</sub>                          | $\overline{\text{INC}}$ HIGH Period                | 250 | -            | -   | ns    |
| t <sub>IC</sub>                          | $\overline{\text{INC}}$ Inactive to CS Inactive    | 1   | -            | -   | μs    |
| t <sub>CPH</sub>                         | $\overline{\text{CS}}$ Deselect Time               | 100 | -            | -   | ns    |
| t <sub>IW</sub>                          | $\overline{\text{INC}}$ to V <sub>OUT</sub> Change | -   | 1            | 5   | μs    |
| t <sub>CYC</sub>                         | $\overline{\text{INC}}$ Cycle Time                 | 1   | -            | -   | μs    |
| t <sub>R</sub> , t <sub>F</sub> (Note 8) | $\overline{\text{INC}}$ Input Rise and Fall Time   | -   | -            | 500 | μs    |
| t <sub>PU</sub> (Note 8)                 | Power-up to Wiper Stable                           | -   | -            | 1   | ms    |

7. Typical values are for T<sub>A</sub> = 25°C and nominal supply voltage.

8. This parameter is periodically sampled and not 100% tested.

9. MI in the A.C. Timing diagram refers to the minimum incremental change in the W output due to a change in the wiper position.



**Figure 5. A.C. Timing**

# CAT5115

## Applications Information

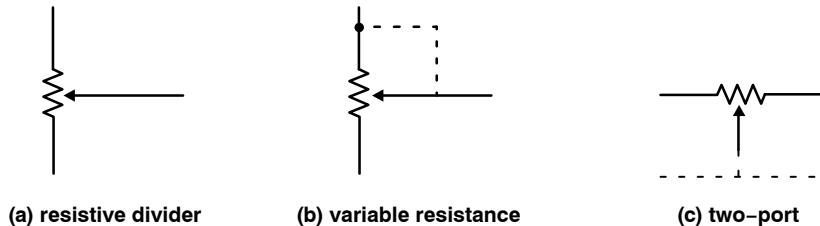


Figure 6. Potentiometer Configuration

## Applications

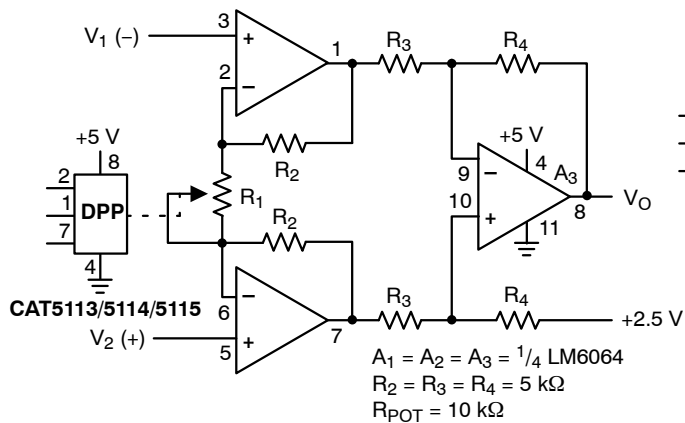


Figure 7. Programmable Instrumentation Amplifier

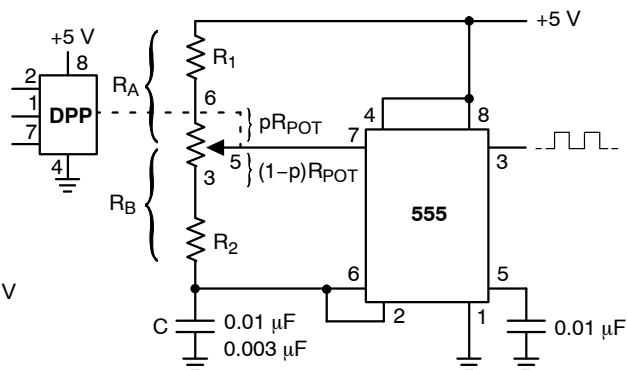


Figure 8. Programmable Sq. Wave Oscillator (555)

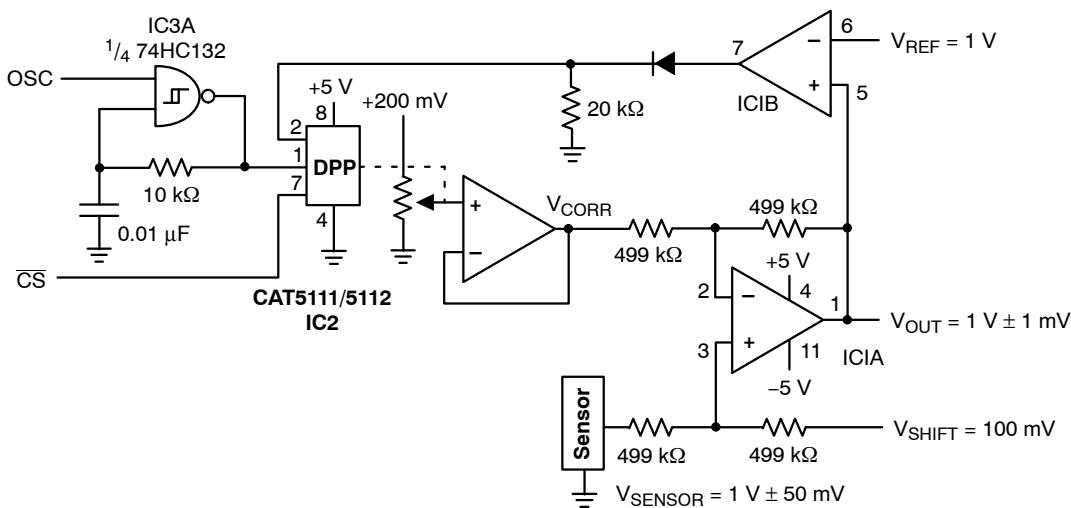


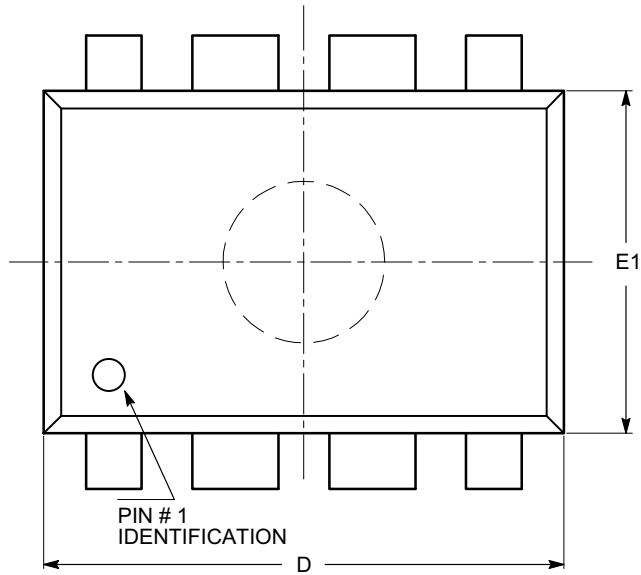
Figure 9. Sensor Auto Referencing Circuit



# CAT5115

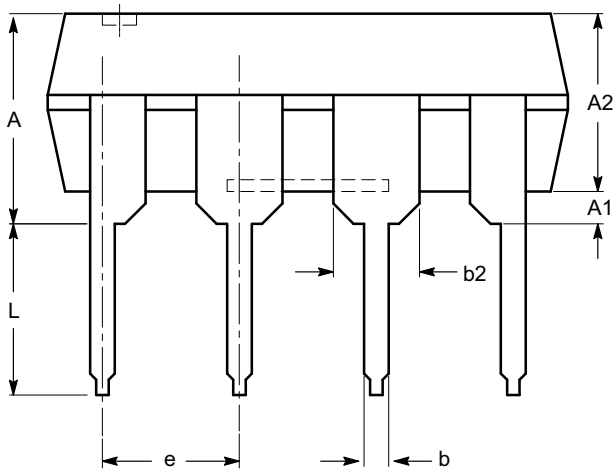
## PACKAGE DIMENSIONS

PDIP-8, 300 mils  
CASE 646AA-01  
ISSUE A

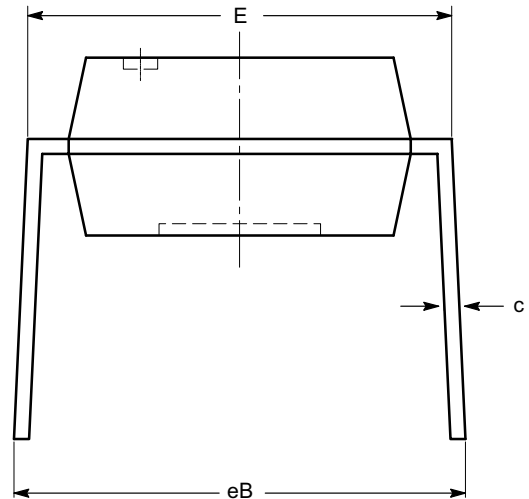


| SYMBOL | MIN      | NOM  | MAX   |
|--------|----------|------|-------|
| A      |          |      | 5.33  |
| A1     | 0.38     |      |       |
| A2     | 2.92     | 3.30 | 4.95  |
| b      | 0.36     | 0.46 | 0.56  |
| b2     | 1.14     | 1.52 | 1.78  |
| c      | 0.20     | 0.25 | 0.36  |
| D      | 9.02     | 9.27 | 10.16 |
| E      | 7.62     | 7.87 | 8.25  |
| E1     | 6.10     | 6.35 | 7.11  |
| e      | 2.54 BSC |      |       |
| eB     | 7.87     |      | 10.92 |
| L      | 2.92     | 3.30 | 3.80  |

TOP VIEW



SIDE VIEW



END VIEW

**Notes:**

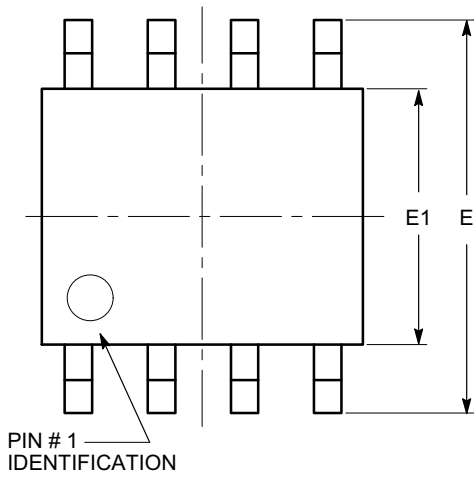
- (1) All dimensions are in millimeters.
- (2) Complies with JEDEC MS-001.



# CAT5115

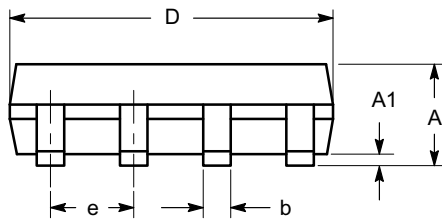
## PACKAGE DIMENSIONS

SOIC 8, 150 mils  
CASE 751BD-01  
ISSUE O

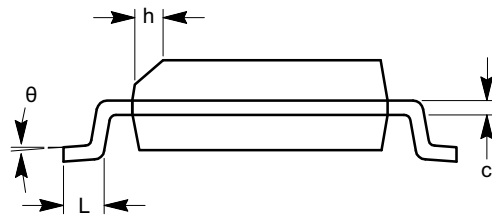


TOP VIEW

| SYMBOL   | MIN      | NOM | MAX  |
|----------|----------|-----|------|
| A        | 1.35     |     | 1.75 |
| A1       | 0.10     |     | 0.25 |
| b        | 0.33     |     | 0.51 |
| c        | 0.19     |     | 0.25 |
| D        | 4.80     |     | 5.00 |
| E        | 5.80     |     | 6.20 |
| E1       | 3.80     |     | 4.00 |
| e        | 1.27 BSC |     |      |
| h        | 0.25     |     | 0.50 |
| L        | 0.40     |     | 1.27 |
| $\theta$ | 0°       |     | 8°   |



SIDE VIEW



END VIEW

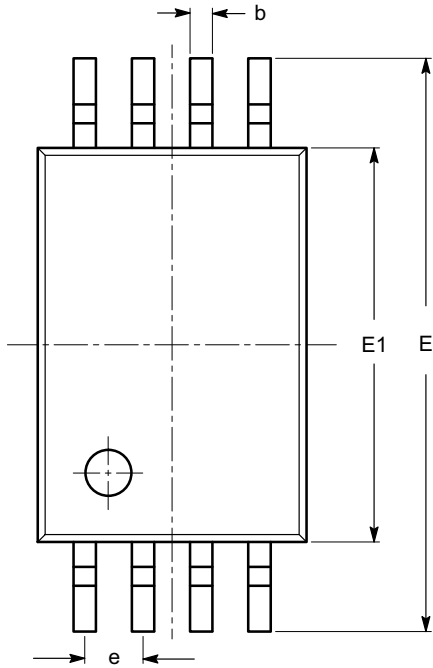
**Notes:**

- (1) All dimensions are in millimeters. Angles in degrees.
- (2) Complies with JEDEC MS-012.

# CAT5115

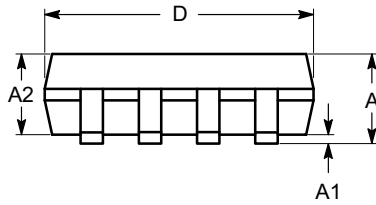
## PACKAGE DIMENSIONS

TSSOP8, 4.4x3  
CASE 948AL-01  
ISSUE O

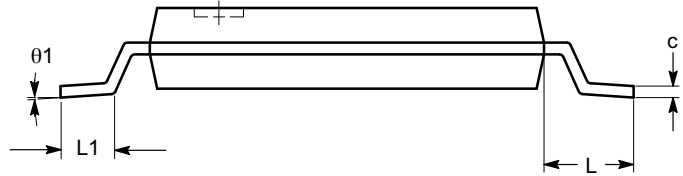


| SYMBOL   | MIN      | NOM  | MAX  |
|----------|----------|------|------|
| A        |          |      | 1.20 |
| A1       | 0.05     |      | 0.15 |
| A2       | 0.80     | 0.90 | 1.05 |
| b        | 0.19     |      | 0.30 |
| c        | 0.09     |      | 0.20 |
| D        | 2.90     | 3.00 | 3.10 |
| E        | 6.30     | 6.40 | 6.50 |
| E1       | 4.30     | 4.40 | 4.50 |
| e        | 0.65 BSC |      |      |
| L        | 1.00 REF |      |      |
| L1       | 0.50     | 0.60 | 0.75 |
| $\theta$ | 0°       |      | 8°   |

TOP VIEW



SIDE VIEW



END VIEW

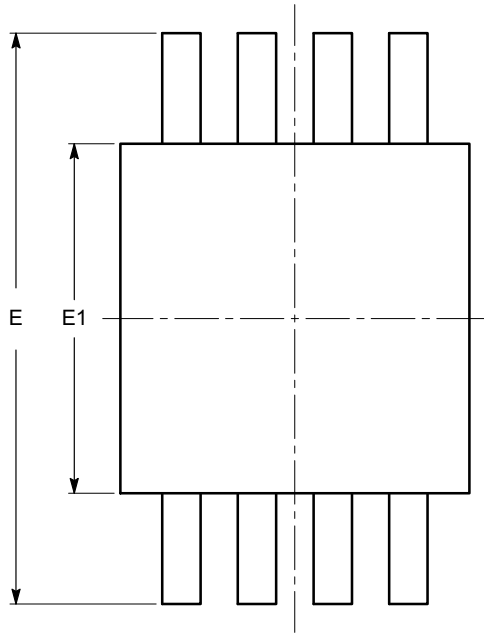
**Notes:**

- (1) All dimensions are in millimeters. Angles in degrees.
- (2) Complies with JEDEC MO-153.

# CAT5115

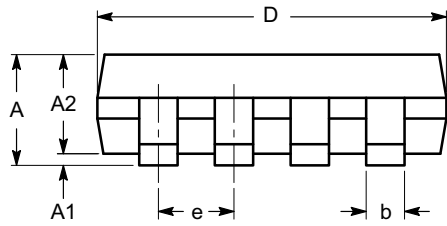
## PACKAGE DIMENSIONS

MSOP 8, 3x3  
CASE 846AD-01  
ISSUE O

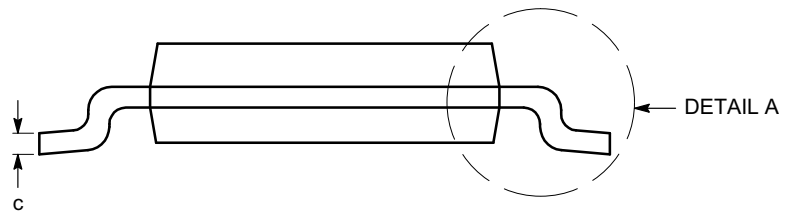


TOP VIEW

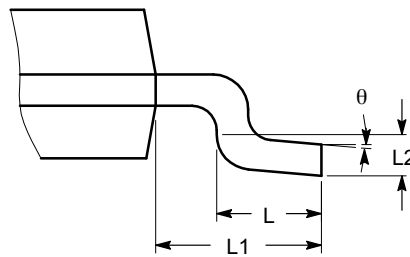
| SYMBOL   | MIN      | NOM  | MAX  |
|----------|----------|------|------|
| A        |          |      | 1.10 |
| A1       | 0.05     | 0.10 | 0.15 |
| A2       | 0.75     | 0.85 | 0.95 |
| b        | 0.22     |      | 0.38 |
| c        | 0.13     |      | 0.23 |
| D        | 2.90     | 3.00 | 3.10 |
| E        | 4.80     | 4.90 | 5.00 |
| E1       | 2.90     | 3.00 | 3.10 |
| e        | 0.65 BSC |      |      |
| L        | 0.40     | 0.60 | 0.80 |
| L1       | 0.95 REF |      |      |
| L2       | 0.25 BSC |      |      |
| $\theta$ | 0°       |      | 6°   |



SIDE VIEW



END VIEW



DETAIL A

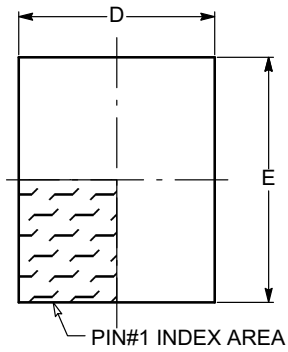
**Notes:**

- (1) All dimensions are in millimeters. Angles in degrees.
- (2) Complies with JEDEC MO-187.

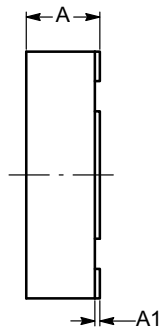
# CAT5115

## PACKAGE DIMENSIONS

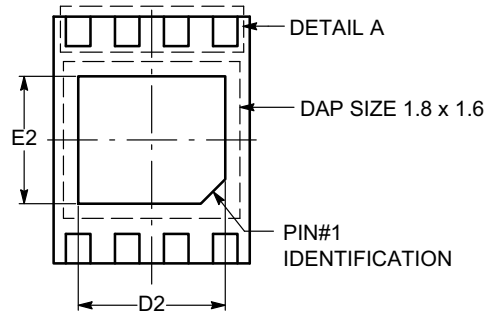
TDFN8, 2x2.5  
CASE 511AJ-01  
ISSUE A



TOP VIEW

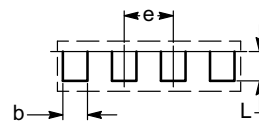


SIDE VIEW

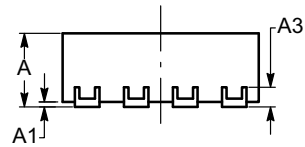


BOTTOM VIEW

| SYMBOL | MIN      | NOM  | MAX  |
|--------|----------|------|------|
| A      | 0.70     | 0.75 | 0.80 |
| A1     | 0.00     | 0.02 | 0.05 |
| A3     | 0.20 REF |      |      |
| b      | 0.20     | 0.25 | 0.30 |
| D      | 1.90     | 2.00 | 2.10 |
| D2     | 1.40     | 1.50 | 1.60 |
| E      | 2.40     | 2.50 | 2.60 |
| E2     | 1.20     | 1.30 | 1.40 |
| e      | 0.50 TYP |      |      |
| L      | 0.20     | 0.30 | 0.40 |



DETAIL A



FRONT VIEW

**Notes:**

- (1) All dimensions are in millimeters.
- (2) Complies with JEDEC MO-229.

# CAT5115

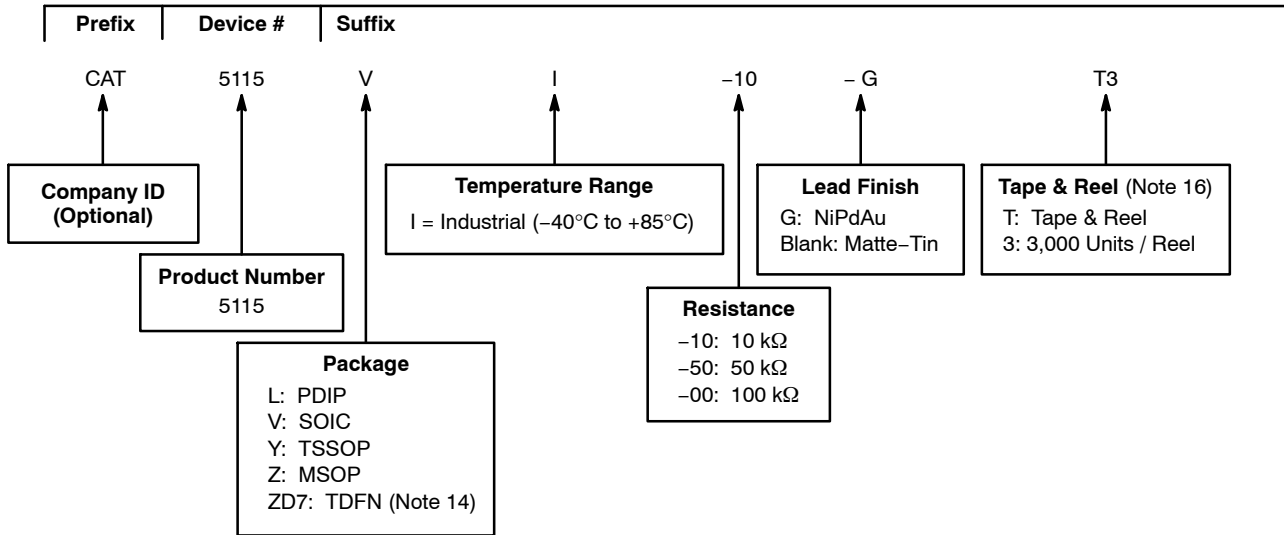
**Table 8. ORDERING INFORMATION**

| Orderable Part Numbers      | Reset Threshold Voltage | Package-Pin          | Lead Finish |
|-----------------------------|-------------------------|----------------------|-------------|
| CAT5115LI-10-G              | 10                      | PDIP-8               | NiPdAu      |
| CAT5115LI-50-G              | 50                      |                      |             |
| CAT5115LI-00-G              | 100                     |                      |             |
| CAT5115VI-10-GT3            | 10                      | SOIC-8               | NiPdAu      |
| CAT5115VI-50-GT3            | 50                      |                      |             |
| CAT5115VI-00-GT3            | 100                     |                      |             |
| CAT5115YI-10-GT3            | 10                      | TSSOP-8              | NiPdAu      |
| CAT5115YI-50-GT3            | 50                      |                      |             |
| CAT5115YI-00-GT3            | 100                     |                      |             |
| CAT5115ZI-10-GT3            | 10                      | MSOP-8               | NiPdAu      |
| CAT5115ZI-50-GT3            | 50                      |                      |             |
| CAT5115ZI-00-GT3            | 100                     |                      |             |
| CAT5115ZD7I-10-T3 (Note 10) | 10                      | TDFN-8<br>2 x 2.5 mm | Matte-Tin   |
| CAT5115ZD7I-50-T3 (Note 10) | 50                      |                      |             |
| CAT5115ZD7I-00-T3 (Note 10) | 100                     |                      |             |

10. Contact factory for package availability.

# CAT5115

## Example of Ordering Information (Note 15)



11. All packages are RoHS-compliant (Lead-free, Halogen-free).

12. The standard lead finish is NiPdAu.


13. For additional package and temperature options, please contact your nearest ON Semiconductor Sales office.

14. TDFN is not available in NiPdAu (-G) version.

15. The device used in the above example is a CAT5115VI-10-GT3 (SOIC, Industrial Temperature, 10 kΩ, NiPdAu, Tape & Reel, 3,000/Reel).

16. For information on tape and reel specifications, including part orientation and tape sizes, please refer to our Tape and Reel Packaging Specifications Brochure, BRD8011/D.

DPP is a trademark of Semiconductor Components Industries, LLC.

ON Semiconductor and  are registered trademarks of Semiconductor Components Industries, LLC (SCILLC). SCILLC reserves the right to make changes without further notice to any products herein. SCILLC makes no warranty, representation or guarantee regarding the suitability of its products for any particular purpose, nor does SCILLC assume any liability arising out of the application or use of any product or circuit, and specifically disclaims any and all liability, including without limitation special, consequential or incidental damages. "Typical" parameters which may be provided in SCILLC data sheets and/or specifications can and do vary in different applications and actual performance may vary over time. All operating parameters, including "Typicals" must be validated for each customer application by customer's technical experts. SCILLC does not convey any license under its patent rights nor the rights of others. SCILLC products are not designed, intended, or authorized for use as components in systems intended for surgical implant into the body, or other applications intended to support or sustain life, or for any other application in which the failure of the SCILLC product could create a situation where personal injury or death may occur. Should Buyer purchase or use SCILLC products for any such unintended or unauthorized application, Buyer shall indemnify and hold SCILLC and its officers, employees, subsidiaries, affiliates, and distributors harmless against all claims, costs, damages, and expenses, and reasonable attorney fees arising out of, directly or indirectly, any claim of personal injury or death associated with such unintended or unauthorized use, even if such claim alleges that SCILLC was negligent regarding the design or manufacture of the part. SCILLC is an Equal Opportunity/Affirmative Action Employer. This literature is subject to all applicable copyright laws and is not for resale in any manner.

## PUBLICATION ORDERING INFORMATION

### LITERATURE FULFILLMENT:

Literature Distribution Center for ON Semiconductor  
P.O. Box 5163, Denver, Colorado 80217 USA  
Phone: 303-675-2175 or 800-344-3860 Toll Free USA/Canada  
Fax: 303-675-2176 or 800-344-3867 Toll Free USA/Canada  
Email: [orderlit@onsemi.com](mailto:orderlit@onsemi.com)

**N. American Technical Support:** 800-282-9855 Toll Free  
USA/Canada  
**Europe, Middle East and Africa Technical Support:**  
Phone: 421 33 790 2910  
**Japan Customer Focus Center**  
Phone: 81-3-5773-3850

**ON Semiconductor Website:** [www.onsemi.com](http://www.onsemi.com)

**Order Literature:** <http://www.onsemi.com/orderlit>

For additional information, please contact your local Sales Representative

**CAT5115/D**