

EXPLOSION-PROOF SINGLE POLE CABLE PULL NOMENCLATURE

CLSX - - - - -

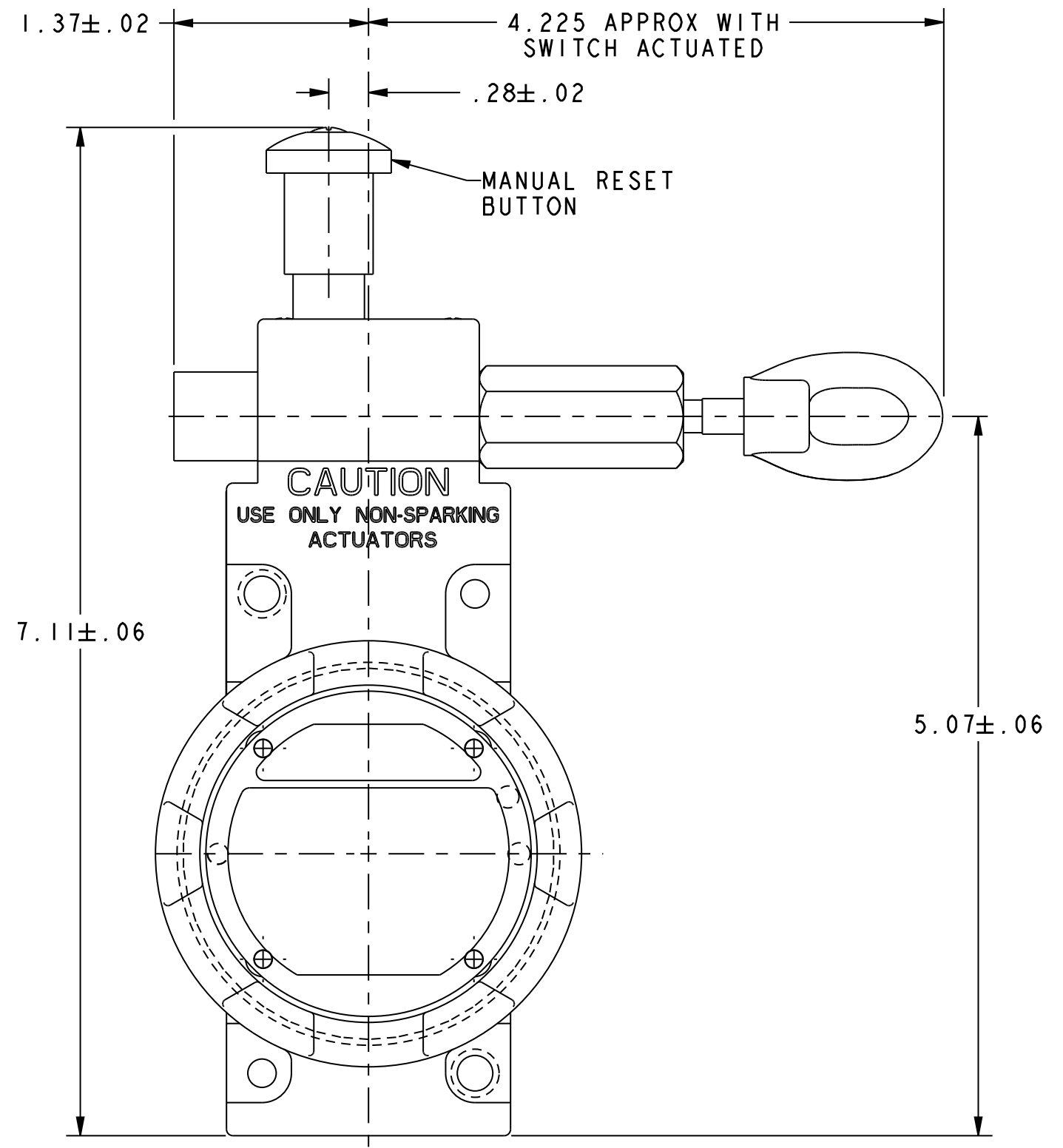
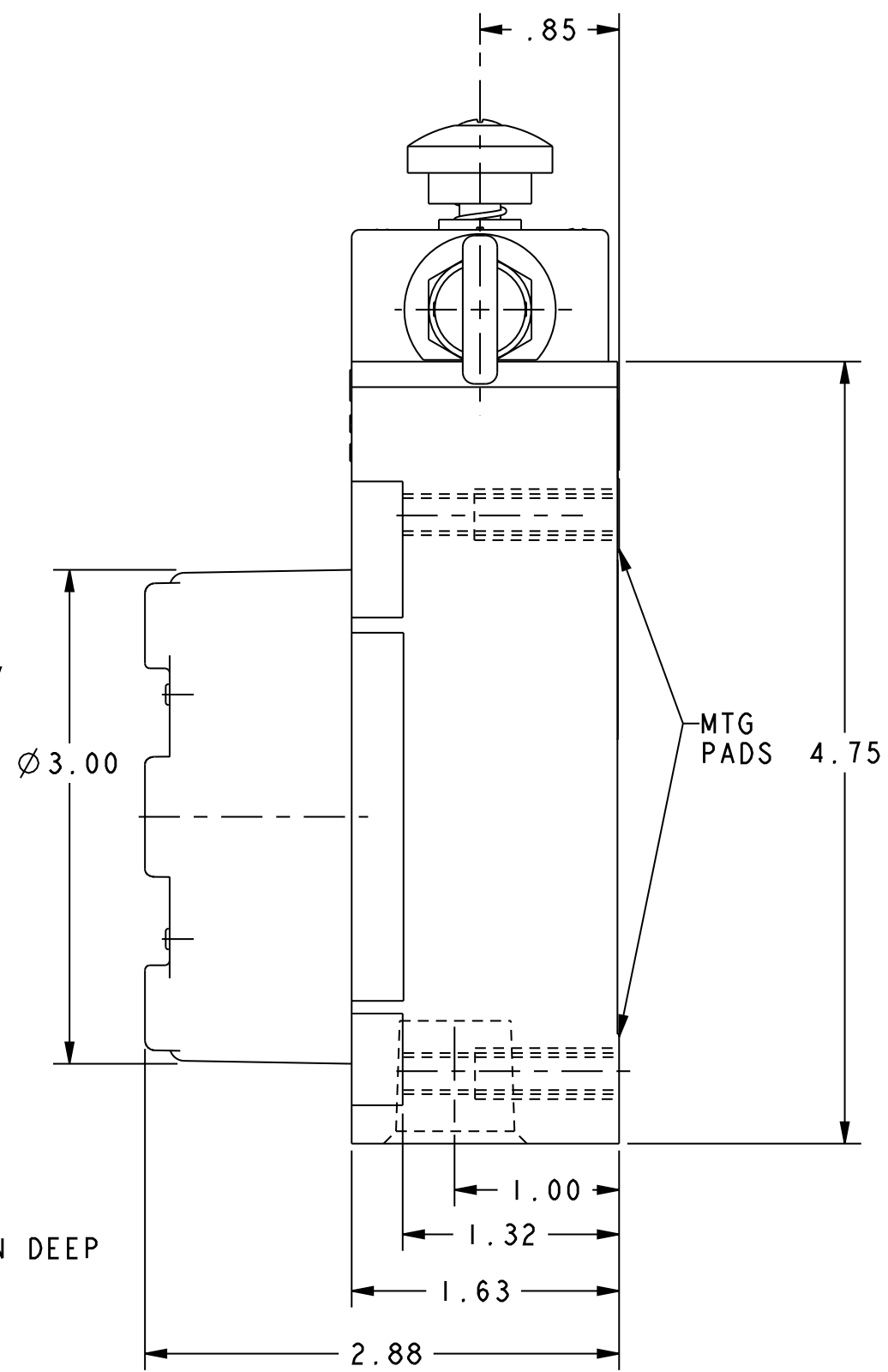
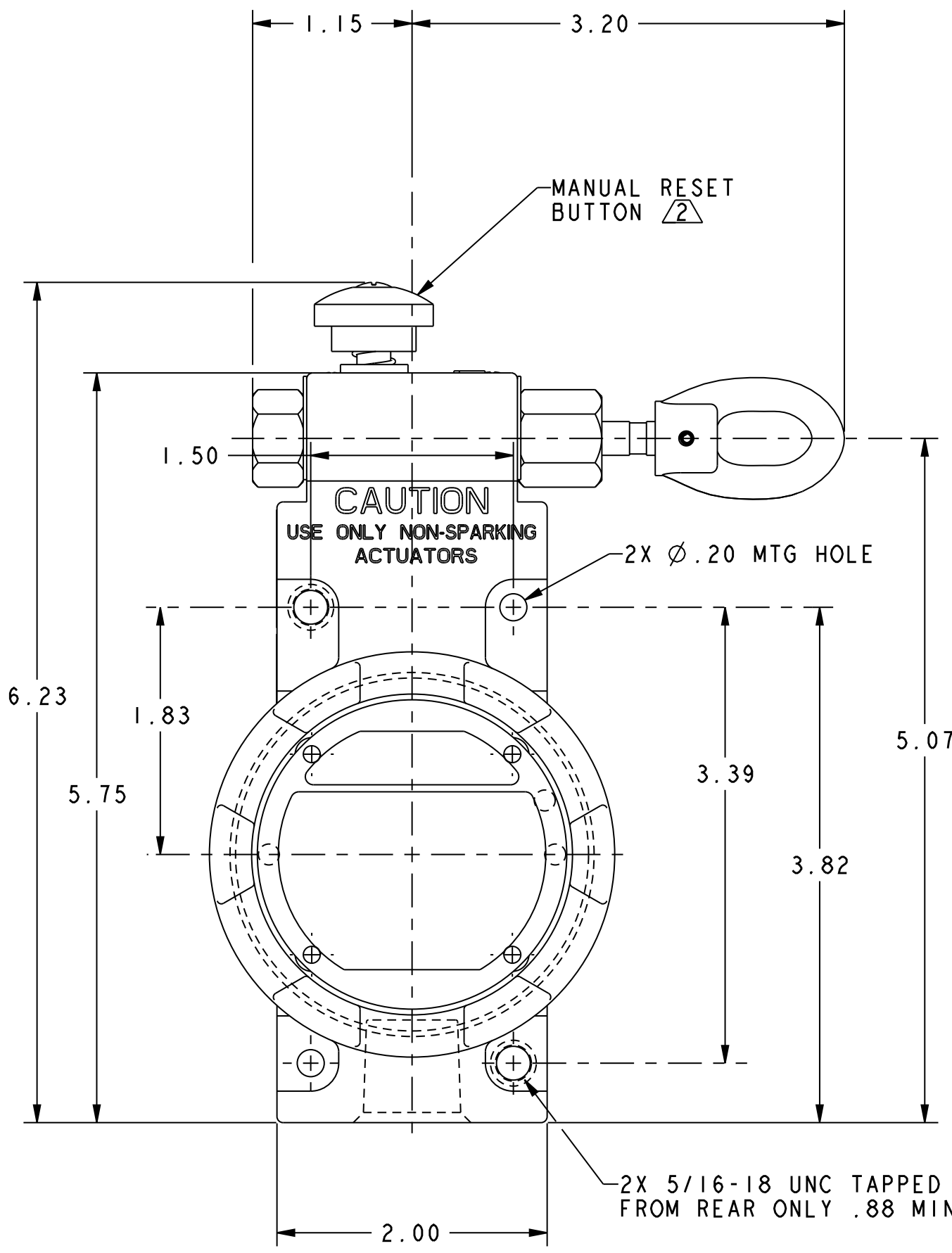
| BODY CODE | |
|-----------|-------------------------|
| B | 1/2 NPT CONDUIT OPENING |
| E | 3/4 NPT CONDUIT OPENING |

| BASIC SWITCH CODE | |
|-------------------|---|
| 1 | INC DIRECT ACTING (HDLS) |
| 2 | 1NO-1NC SNAP ACTION (HDLS - NON-SAFETY APPLICATION, BLUE BODY ONLY) |
| 4 | 1NO-1NC DIRECT ACTING (SPEC. GLS) |
| 8 | 2NC DIRECT ACTING |
| 9 | SPECIAL BASIC - SEE LETTERED MODIFICATION CODE |

| OPERATING HEAD CODE | |
|---------------------|--|
| A | "MAINTAINED" RED BODY |
| B | "MOMENTARY" BLUE BODY |
| N | "MAINTAINED" W/O BROKEN CABLE DETECTION RED BODY |
| T | "MAINTAINED" SNAP ACTION RED BODY |

| MODIFICATION CODE * | |
|---------------------|---------------------------------------|
| B | 1NO-3NC SLOW ACTING |
| E | 2NO-2NC SLOW ACTING |
| F | 1NO-3NC SLOW ACTING GOLD PLATED |
| 1 | HEAD ASSEMBLED WITH ACTUATOR TO LEFT |
| 2 | HEAD ASSEMBLED WITH ACTUATOR TO FRONT |
| 3 | HEAD ASSEMBLED WITH ACTUATOR TO REAR |

* LETTERED MODIFICATION CODES TO PRECEDE NUMBERED CODES



WITH OPERATING HEAD CODES "A", "B", & "N"

WITH OPERATING HEAD CODE "T"

NOTE
 1 - ALL DIMENSIONS ARE REFERENCE ONLY
 2 - MANUAL RESET BUTTON NOT PRESENT ON OPERATING HEAD CODE "B"
 3 - NOMENCLATURE IS PROVIDED FOR IDENTIFICATION OF EXISTING LISTINGS. NOT ALL COMBINATIONS ARE POSSIBLE

THIS DRAWING COVERS A PROPRIETARY ITEM AND IS THE PROPERTY OF MICRO SWITCH, A DIVISION OF HONEYWELL. THIS DRAWING IS NOT TO BE COPIED OR USED WITHOUT THE APPROVAL OF MICRO SWITCH.

MICRO SWITCH
 a Honeywell Division

SWITCH - ENCLOSED

CATALOG LISTING
CLSX SERIES CHART 1

FED. MFG. CODE 91929

| THIRD ANGLE PROJECTION | | | |
|---|--------|-------|--|
| | | | |
| SCALE FULL | | | |
| DO NOT SCALE PRINT | | | |
| UNLESS OTHERWISE SPECIFIED TOLERANCES ARE | | | |
| ONE PLACE | (.0) | ±.030 | |
| TWO PLACES | (.00) | ±.015 | |
| THREE PLACES | (.000) | ±.005 | |
| ANGLES | | ± | |
| WEIGHT | | | |

CLSX SERIES CHART 1
 DRAWING NUMBER
 ISSUE 6
 REVISIONS
 A CO-95127 JUN 99
 B 203734 JUL 99
 C 204458 AUG 01
 D 205491 SEP 02
 E 0063505 SEP 02
 PTC/CAD
 GLH 30 SEP 96
 RELEASE NO. PR-22140
 REPLACES
 OF
 CHECK
 CMH
 CHECK
 14APR10