

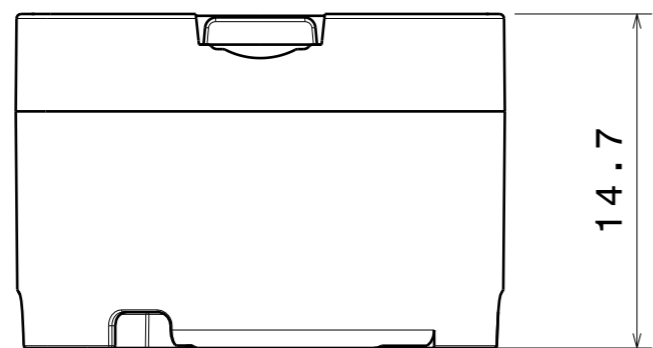
## DETAILS

<b>Product Number</b>	CP11631_LXP3-RS
<b>Family</b>	Leila
<b>Type</b>	Assembly
<b>Color</b>	white
<b>Diameter</b>	21,6 mm
<b>Height</b>	14,7 mm
<b>Style</b>	round
<b>Optic Material</b>	PMMA
<b>Holder Material</b>	
<b>Fastening</b>	glue
<b>Status</b>	production ready
<b>ROHS Compliant</b>	Yes
<b>Date Updated</b>	10/04/2014

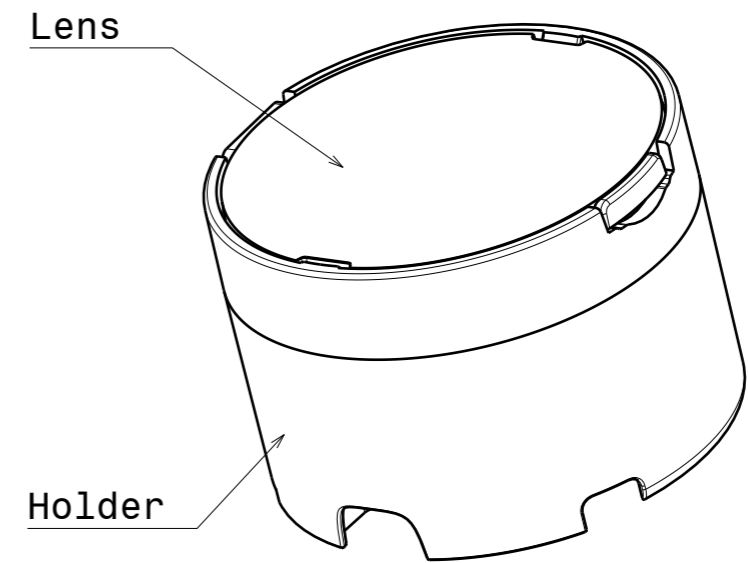


## OPTICAL PROPERTIES

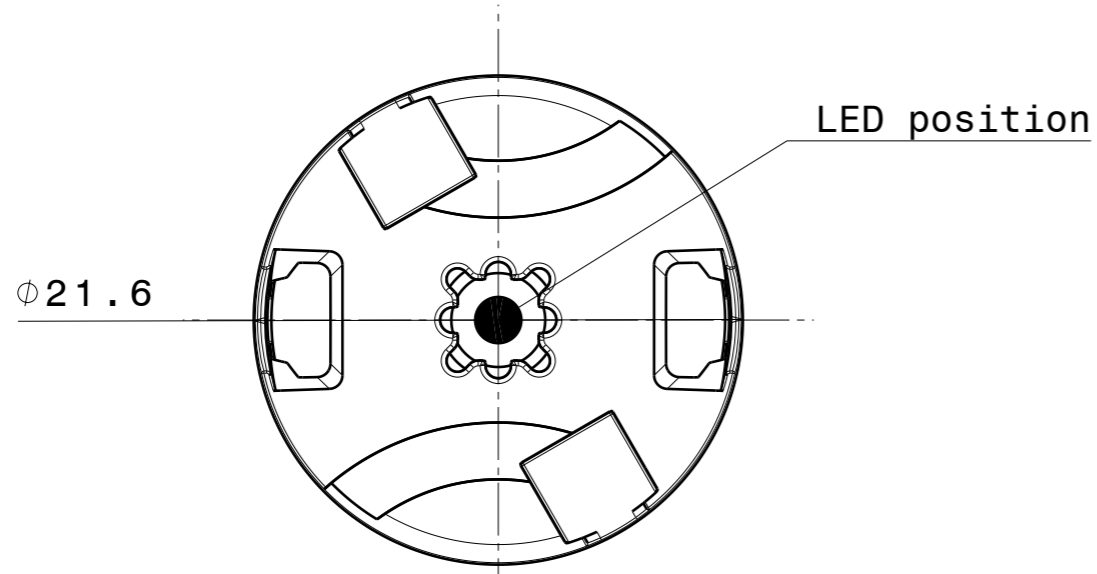
LED	Viewing	Light	Effi-	cd/lm	Connector
	Angle	Beam	ciency		
XP-G	10 deg	Real spot	92 %	16.500	-
XP-E	7 deg	Real spot	94 %	36.000	-
XP-L HI	9 deg	Real spot	93 %	21.000	-
Z5	sim: 10	Real spot	94 %	-	-



Front view  
Scale: 3:1



Isometric view  
Scale: 3:1



Bottom view  
Scale: 3:1

INDEX	PART NO	MATERIAL	COLOUR
1	Lens	PMMA 8N	
2	Holder	PC Makrolon 2407	white

Tolerances if not otherwise shown  
According to DIN ISO 2768-1  
Linear measures:  
Up to 30mm class M, otherwise class C.  
According to DIN ISO 2768-2  
Form and position: class L

**LEDiL** LediL Oy  
Salorankatu 10  
FIN 24240 SALO  
Finland

THIRD ANGLE PROJECTION:

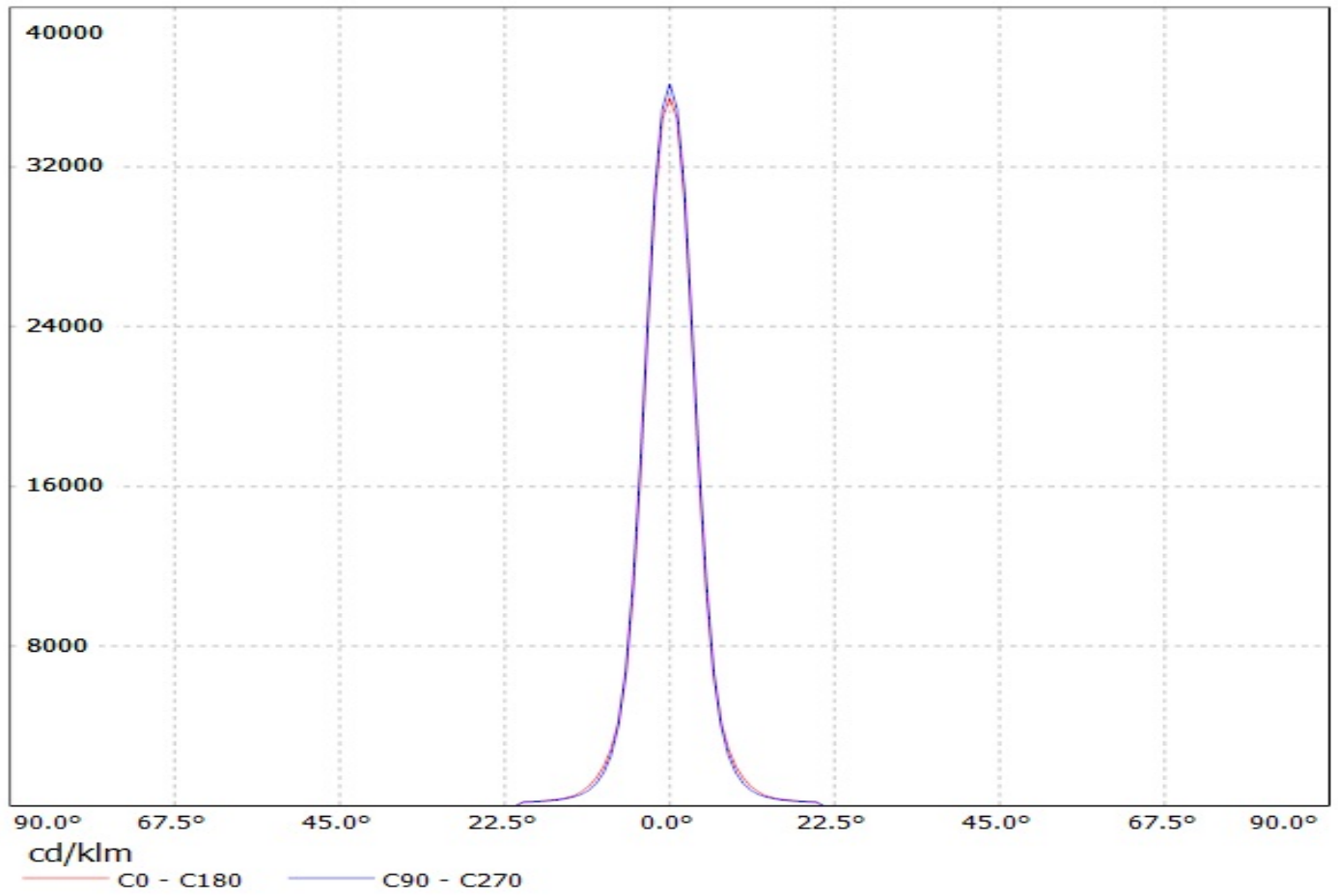
DRAWING TITLE  
**Datasheet\_LXP3-Series**

This drawing is the property of LEDiL Oy. It may not be reproduced, copied or communicated without a written agreement with LEDiL Oy.

SIZE	PART NUMBER		
<b>A3</b>	<b>Datasheet</b>		

SCALE	3:1	WEIGHT	7,49 g	SHEET	1/1
-------	-----	--------	--------	-------	-----

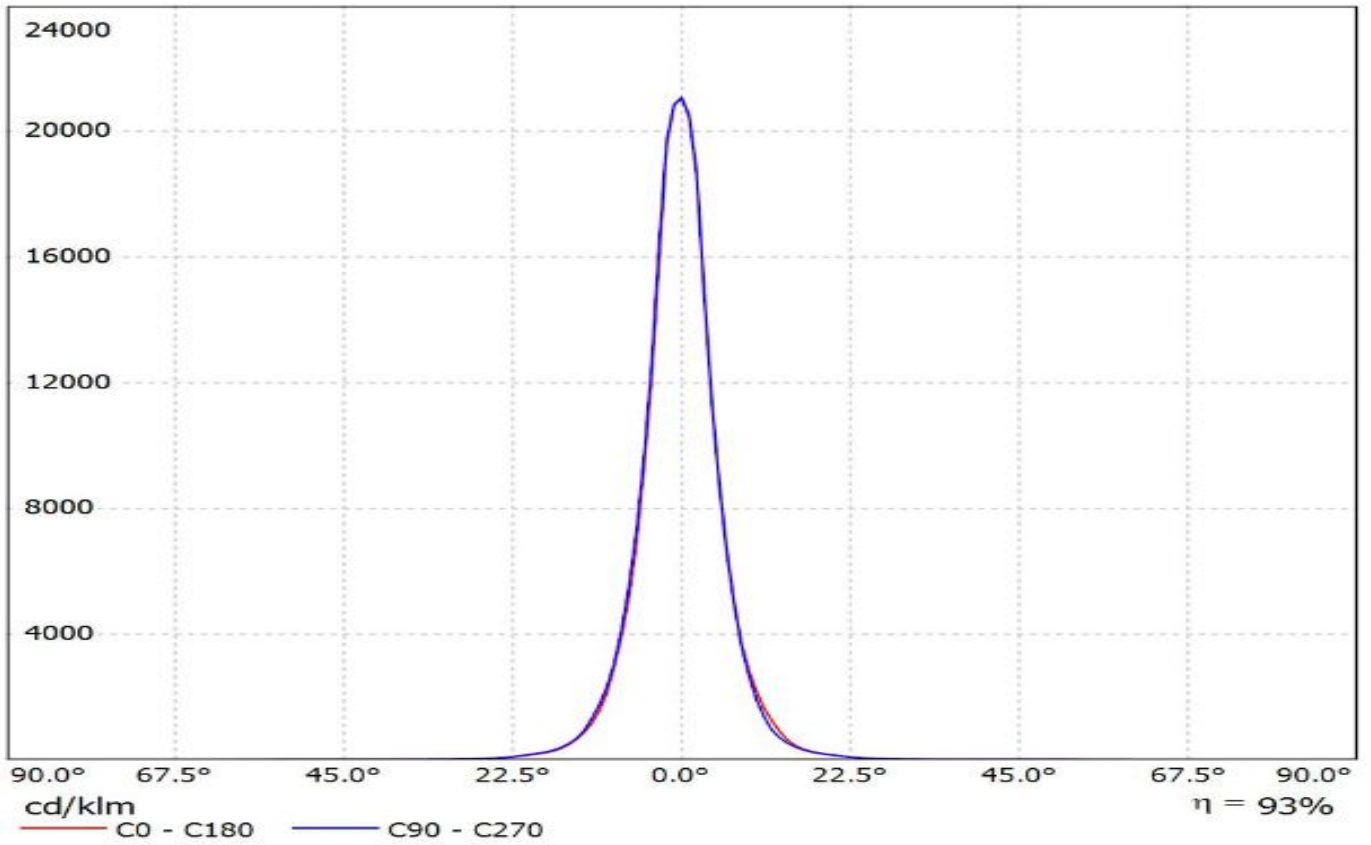
Luminaire: Ledil Oy CP11631\_LXP3-RS-XP-E CP11631\_LXP3-RS-XP-E  
Lamps: 1 x Cree XP-E (White)



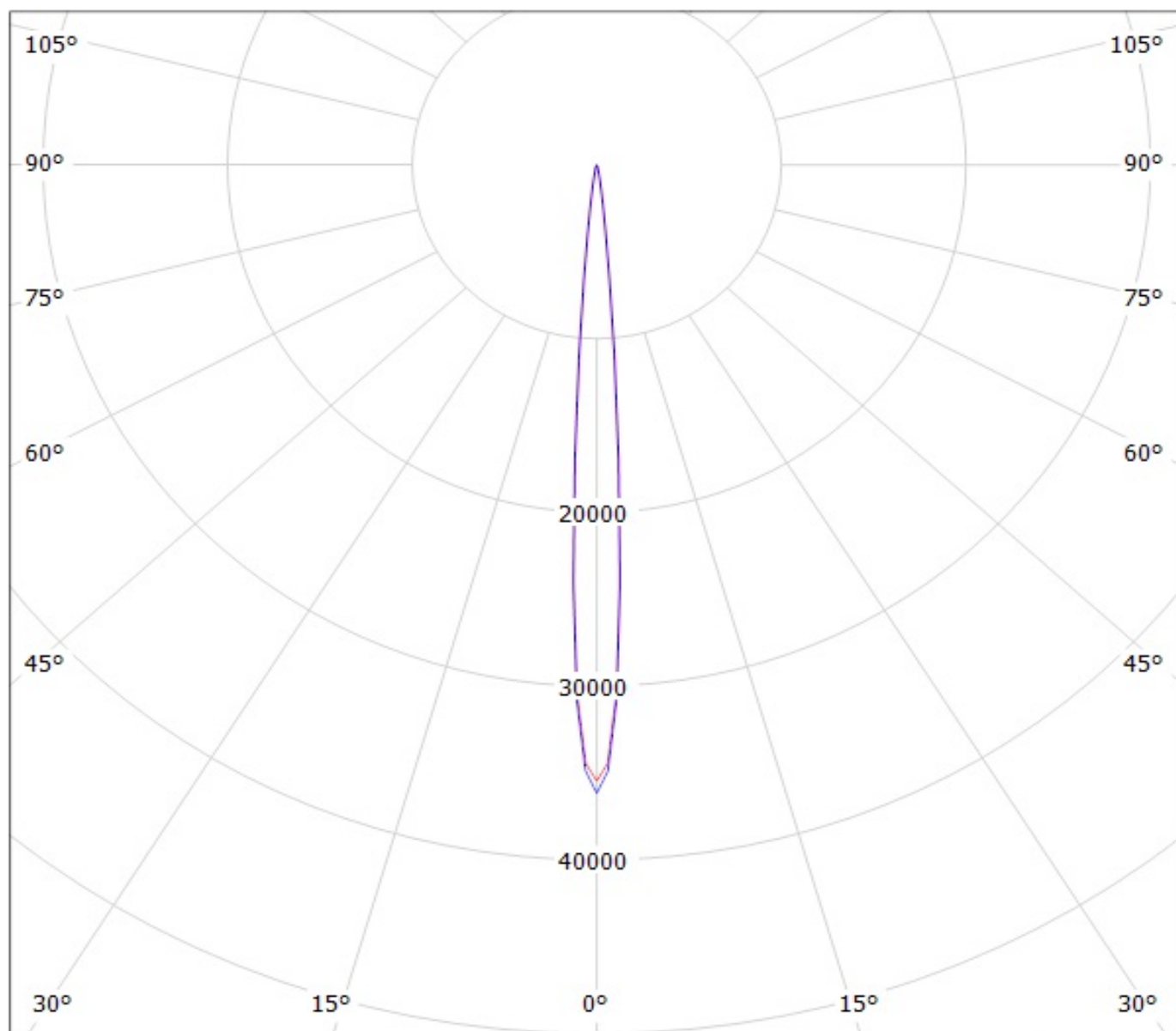
# Ledil CP11631\_LXP3-RS\_(XP-L\_HI) / LDC (Linear)

Luminaire: Ledil CP11631\_LXP3-RS\_(XP-L\_HI)

Lamps: 1 x CREE\_XP-L\_HI\_116.971lm@250mA\_P=0.75W\_I=0.25A



Luminaire: Ledil Oy CP11631\_LXP3-RS-XP-E CP11631\_LXP3-RS-XP-E  
Lamps: 1 x Cree XP-E (White)



cd/klm

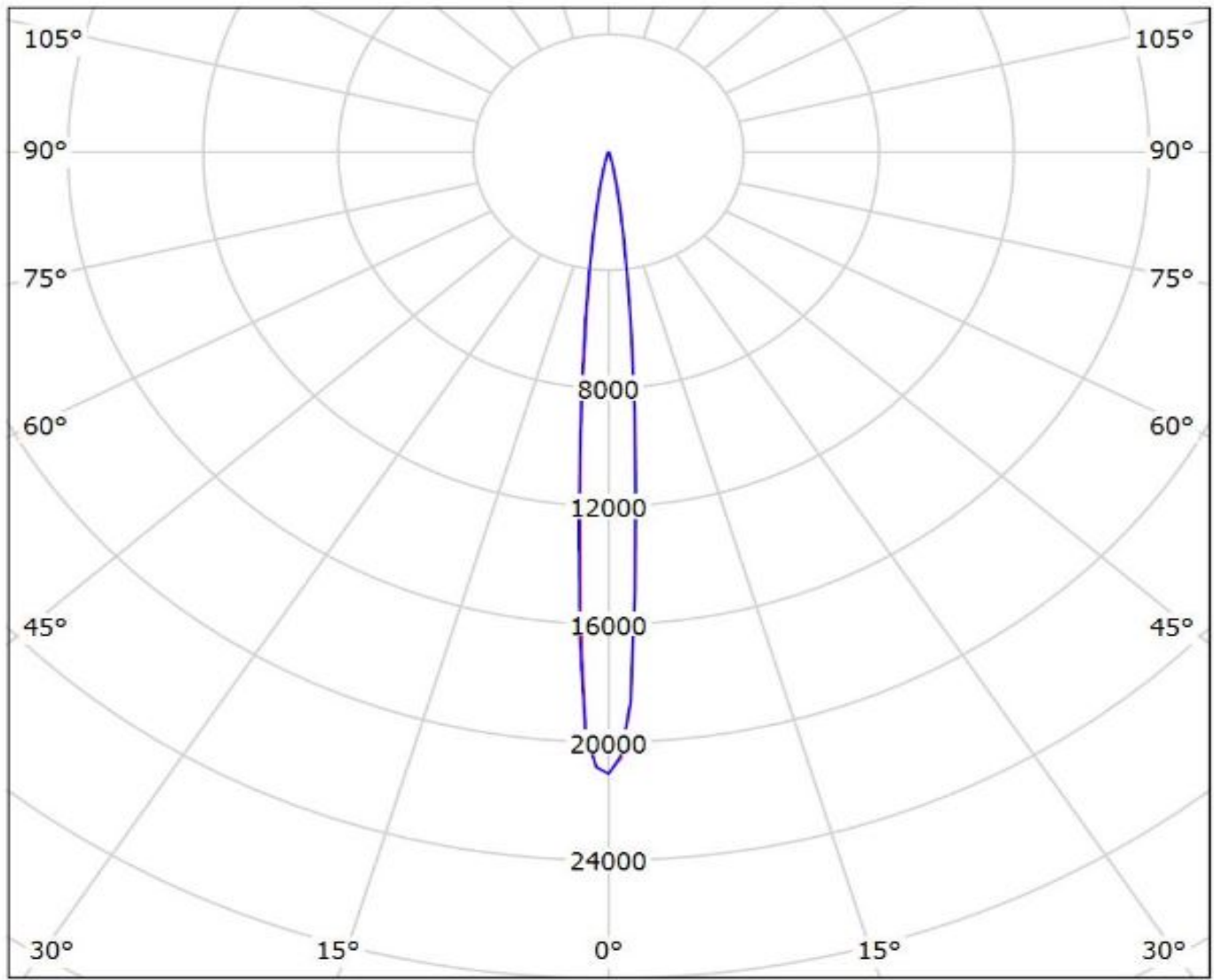
— C0 - C180

— C90 - C270

# Ledil CP11631\_LXP3-RS\_(XP-L\_HI) / LDC (Polar)

Luminaire: Ledil CP11631\_LXP3-RS\_(XP-L\_HI)

Lamps: 1 x CREE\_XP-L\_HI\_116.971lm@250mA\_P=0.75W\_I=0.25A



cd/klm

— C0 - C180

— C90 - C270

$\eta = 93\%$

**NOTE: The typical divergence will be changed by different color, chip size and chip position tolerance. The typical total divergence is the full angle measured where the luminous intensity is half of the peak value.**