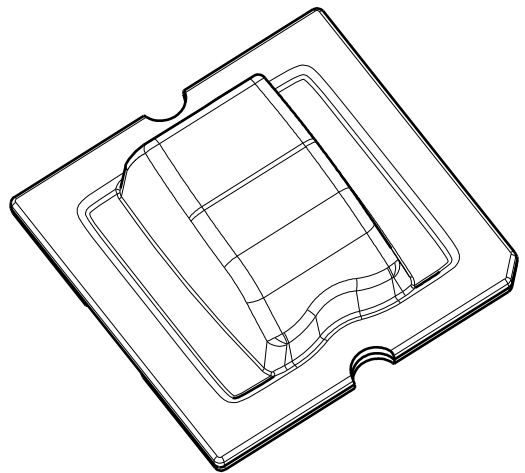
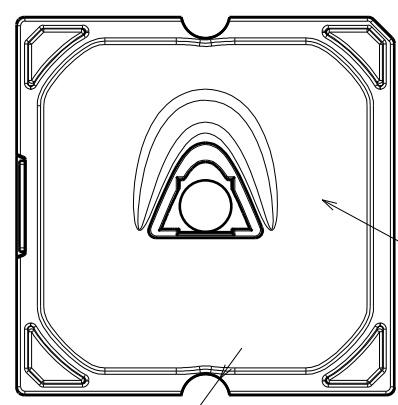


D C B A

4



Isometric view

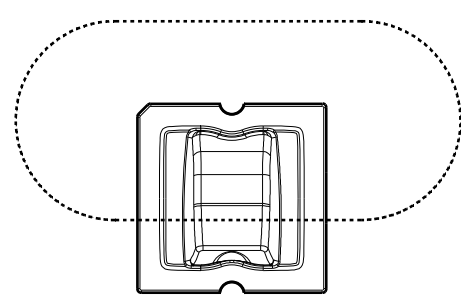


Tape area

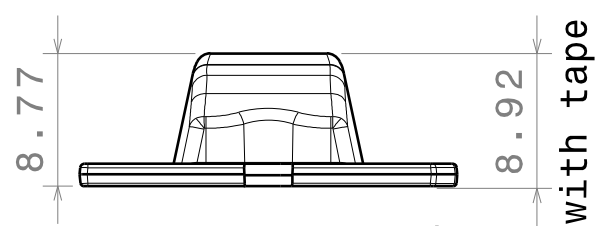
$\phi 3.2$

Bottom view

3



Beam direction



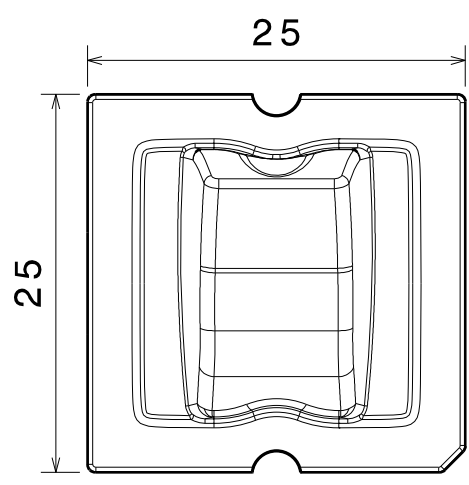
Front view

2

Part no.s:  
C11816\_Strada-SQ-T-DN-XP  
C11816\_Strada-SQ-T-DN-XP-G

Part no.s with tape:  
CA11817\_Strada-SQ-T-DN-XP-TAPE  
CA11817\_Strada-SQ-T-DN-XP-G-TAPE

MATERIALS  
Lens: PMMA  
Tape(optional): PU Foam



Top view

4

3

2

1

This drawing is our property.  
It can't be reproduced  
or communicated without  
our written agreement.



Ledil Oy  
Tehdaskatu 13  
FIN-24100 SALO  
Finland

DRAWING TITLE

Datasheet Strada-SQ-T-DN-XP Lens

DRAWN BY  
mav

DATE  
01.12.2010

CHECKED BY  
pv

DATE  
01.12.2010

SIZE  
A4

DRAWING NUMBER  
C11816

REV  
1

DESIGNED BY  
hh

DATE  
01.12.2010

SCALE 2:1

WEIGHT (g)

SHEET

1 / 1

D A