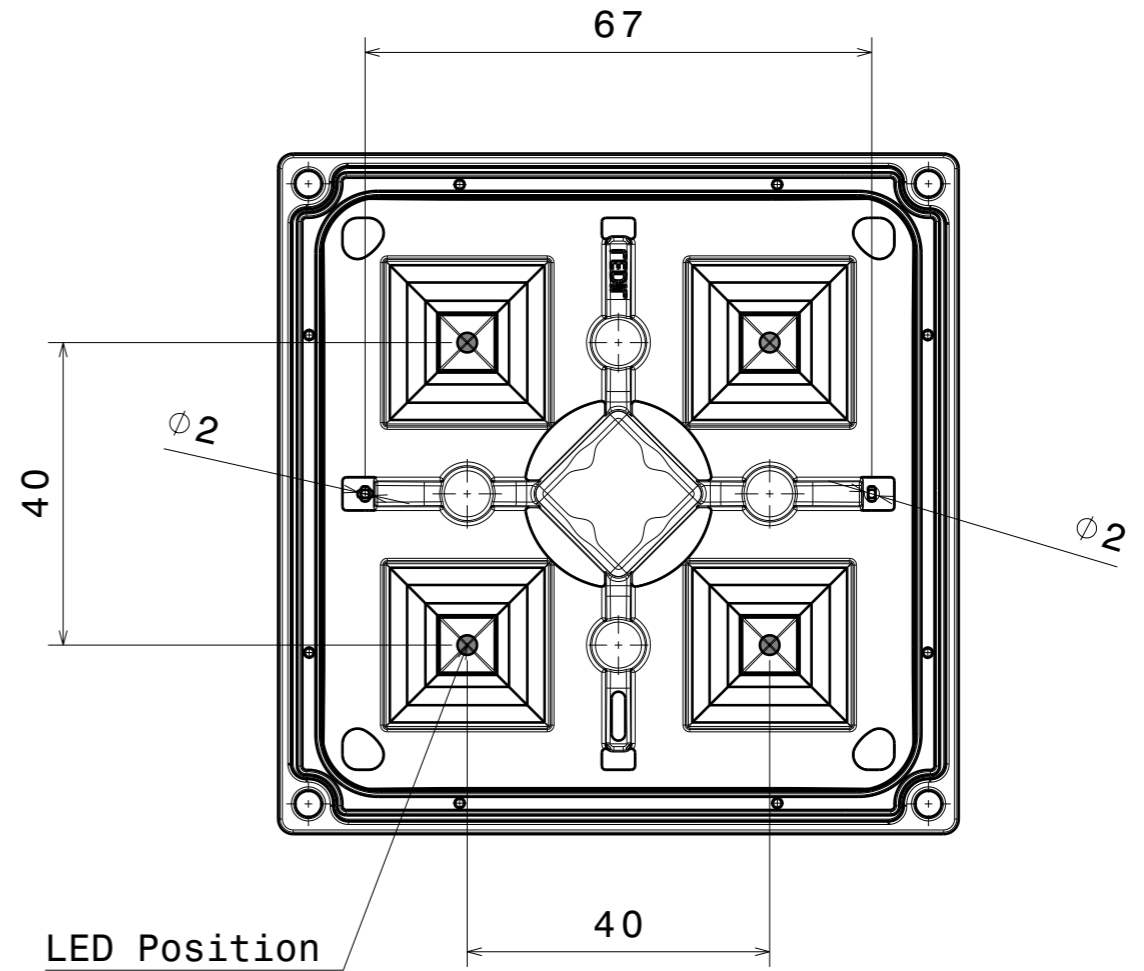
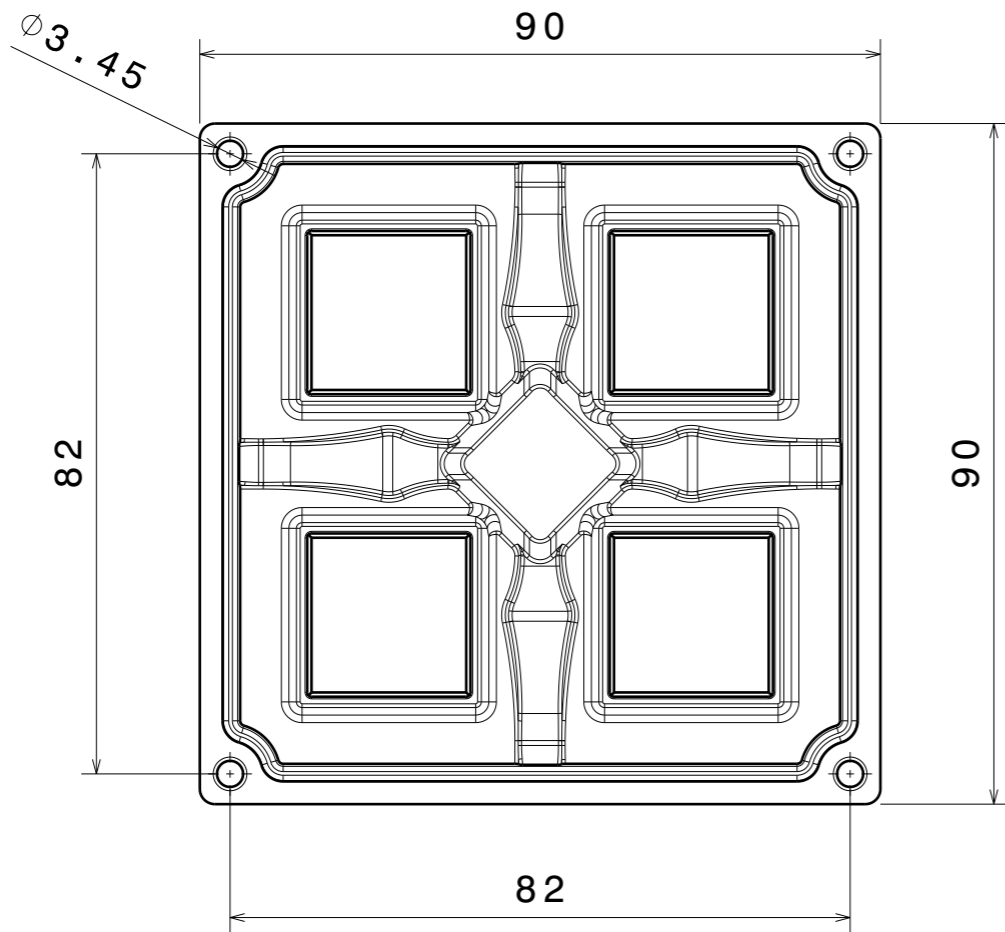


Bottom view



LED Position

INDEX	PART NO	DESCRIPTION	MATERIAL	COLOUR
1	C14695	HB-2X2MX-W	PMMA	
2	C14631	STRADA-2X2MX-SEAL	Silicone	

Tolerances if not otherwise shown  
 According to DIN ISO 2768-1  
 Linear measures:  
 up to 30mm class M, otherwise class C  
 According to DIN ISO 2768-2  
 Form and position: class L



Ledil Oy  
 Salorankatu 10  
 FIN 24240 SALO  
 Finland

THIRD ANGLE PROJECTION:

DRAWING TITLE  
**CS14713\_HB-2X2MX-W**

This drawing is the property  
 of LEDiL Oy. It may not be  
 reproduced, copied or  
 communicated without a written  
 agreement with LEDiL Oy.

SIZE	PART NUMBER
<b>A3</b>	<b>CS14713</b>

SCALE	1:1	WEIGHT	43,02 g	SHEET	1/1
-------	-----	--------	---------	-------	-----