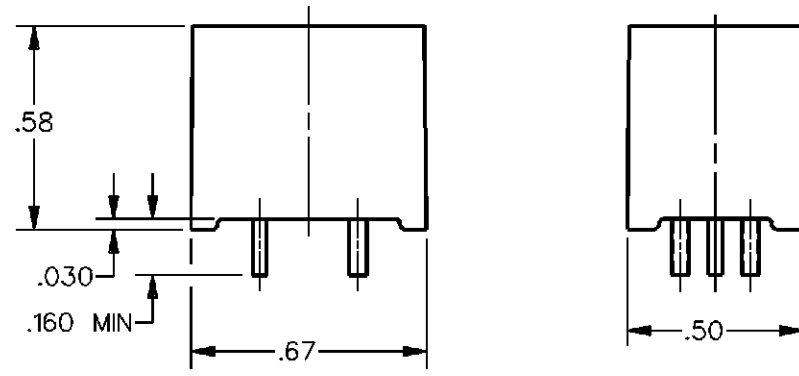
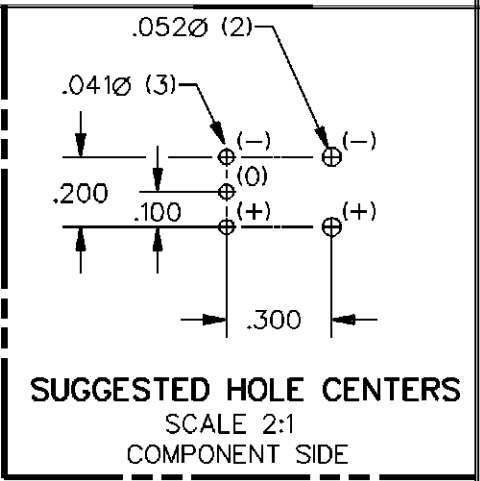
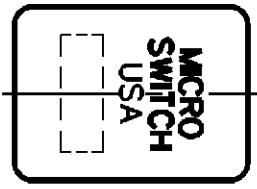


X87332-CS

THIS DRAWING COVERS A PROPRIETARY ITEM AND IS THE PROPERTY OF MICRO SWITCH, A DIVISION OF HONEYWELL. THIS DRAWING IS NOT TO BE COPIED OR USED WITHOUT THE APPROVAL OF MICRO SWITCH.

CATALOG LISTING
CSDD1EC
 PAGE 1 OF 1
 RELEASE NO. DR-3709-2
 REPLACES X87332-CS
 ISSUE **3**
 REVISIONS
A CO-95704
 DLM 13 MAR 00
 CHECK
 CHECK
 13 MAR 00
 SAV
 CHECK
 13 MAR 00
 DRAWN
 DLM 13 MAR 00
 FORMTEK



CHARACTERISTICS	
SUPPLY VOLTAGE	4.5 TO 24 VOLTS
SUPPLY CURRENT	22mA MAX, 16mA TYP
TEMPERATURE	-25 TO 85°C
CURRENT: OPERATING	5.0 AMPS ±5% (@25°C)
RELEASE	3.8 AMPS MIN (@25°C)
MAX CONTINUOUS	20 AMPS
OUTPUT CURRENT	40mA MAX SINK
Vsat	.4 VOLTS MAX
RESISTANCE	5 mΩ
INDUCTANCE	4 μH

NOTE
1 - ELECTRICAL CONNECTIONS INDICATED ON BOTTOM OF DEVICE



THIRD ANGLE PROJECTION	
SCALE 2:1	DO NOT SCALE PRINT
UNLESS OTHERWISE SPECIFIED TOLERANCES ARE	
ONE PLACE (.0)	±.030
TWO PLACE (.00)	±.015
THREE PLACE (.000)	±.005
ANGLES	±
WEIGHT	

Mouser Electronics

Authorized Distributor

Click to View Pricing, Inventory, Delivery & Lifecycle Information:

[Honeywell:](#)

[CSDD1EC](#)