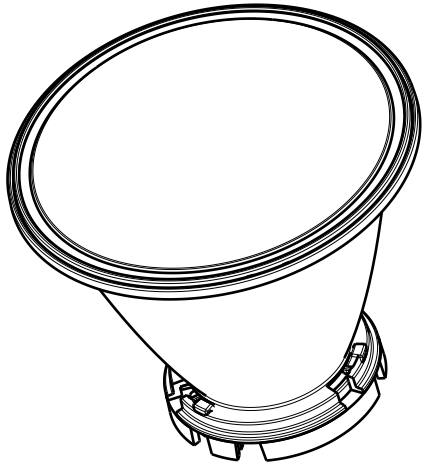
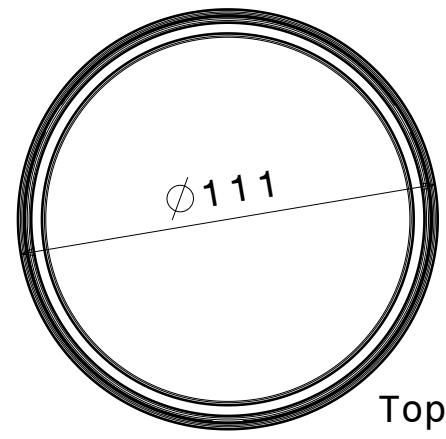


D C B A

4



Isometric view

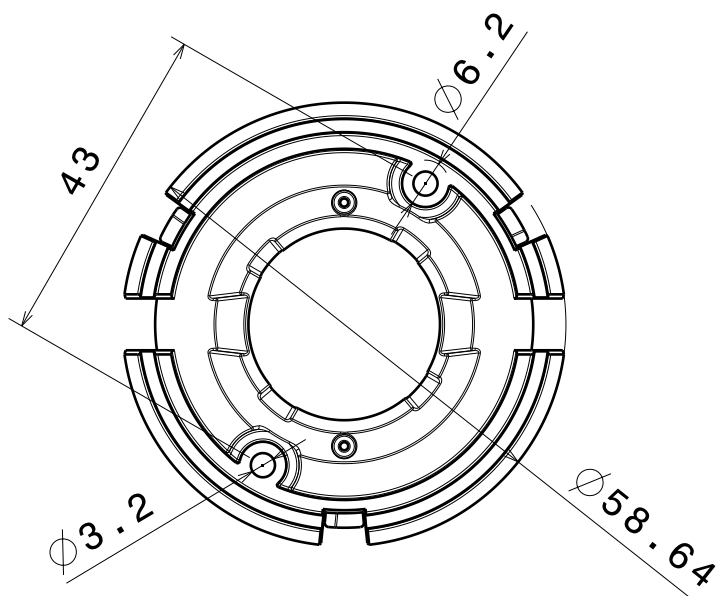


Ø111

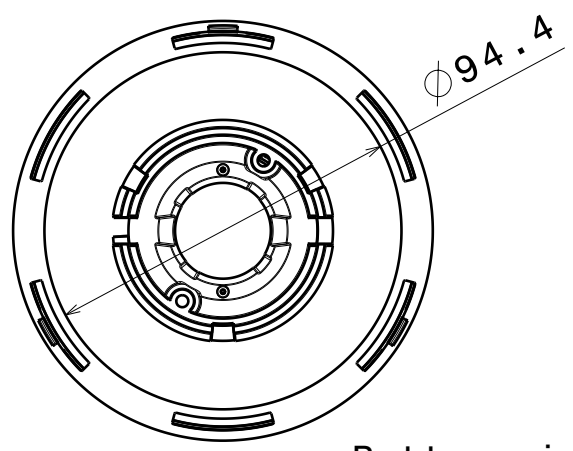
Top view

4

3



Base part  
Scale: 1:1



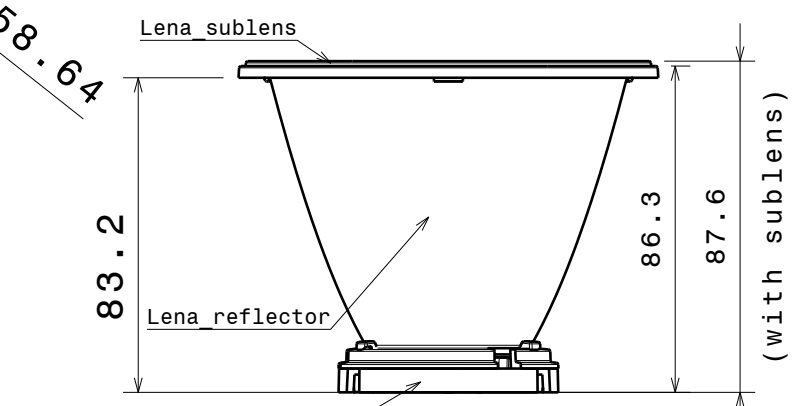
Ø94.4

Bottom view

3

2

- Material:
- Sublens -PMMA
  - Reflector: -PC  
-Metal coating and clear lacquer
  - Holder base: -PC  
-Color: white



Lena-STD-Base CLL040

Front view

2

This drawing is our property. It can't be reproduced or communicated without our written agreement.



Ledil Oy  
Salorankatu 10  
FIN 24240 SALO  
Finland

**DRAWING TITLE**  
Datasheet Lena-CLL040 series assy

<b>DRAWN BY</b> as	<b>DATE</b> 10.04.2012
<b>CHECKED BY</b> xx	<b>DATE</b> xx.xx.2012
<b>DESIGNED BY</b> xx	<b>DATE</b> xx.xx.20xx

<b>SIZE</b> A4	<b>DRAWING NUMBER</b>	<b>REV</b> 1
<b>SCALE</b> 1:2	<b>WEIGHT (g)</b>	<b>SHEET</b> 1/1

1

1

D A