

D

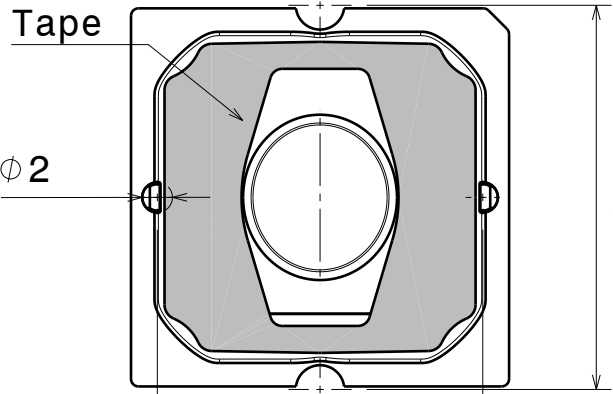
C

B

A

4

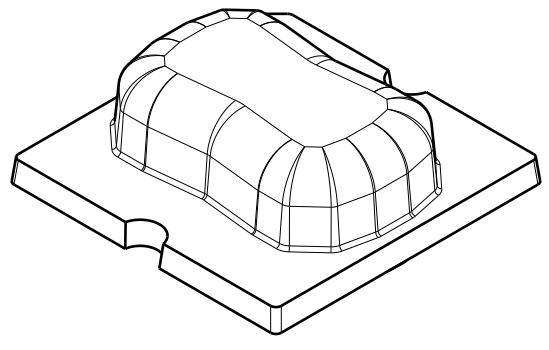
4



25.4  
c/c

21.52  
c/c

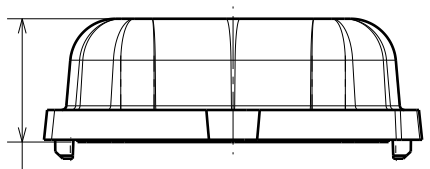
Bottom view



Isometric view

3

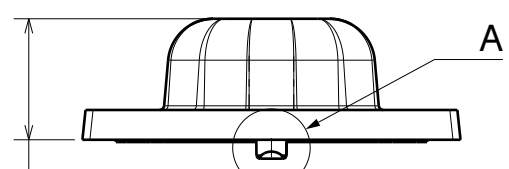
3



8.15

Front view

with tape



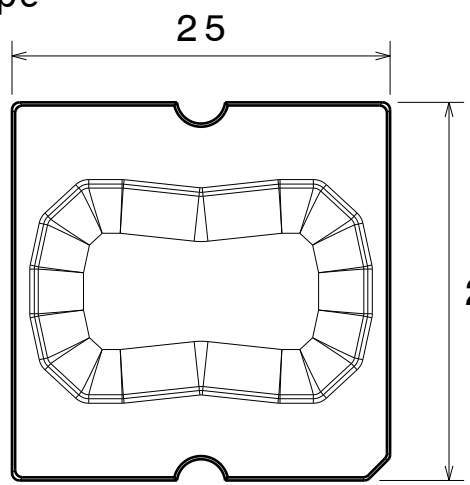
8

Left view

w/o tape

2

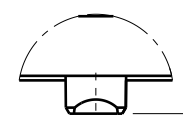
2



25

25

Top view



Detail A

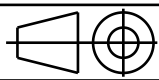
1.25

Tolerances if not otherwise shown  
According to DIN ISO 2768-1  
Linear measures:  
Up to 30mm class M, otherwise class C.  
According to DIN ISO 2768-2  
Form and position: class L



Ledil Oy  
Salorankatu 10  
FIN 24240 SALO  
Finland

THIRD ANGLE PROJECTION:



DRAWING TITLE  
**Datasheet STRADA-SQ-FS2**

This drawing is the property of LEDiL Oy. It may not be reproduced, copied or communicated without a written agreement with LEDiL Oy.

SIZE	PART NUMBER
A4	-

SCALE	2:1	WEIGHT	-	SHEET	1/1
-------	-----	--------	---	-------	-----

D

A

1