



PRODUCT DATASHEET

Strada-T series

last update 16/12/2013

DETAILS

Product Number	C13492_STRADA-T-DN
Family	Strada-T
Type	Lens
Color	clear
Diameter	19.6 x 15,5 mm
Height	9,2 mm
Style	rectang
Optic Material	PMMA
Holder Material	
Fastening	screw, pin
Status	ready
ROHS Compliant	Yes
Date Updated	16/12/2013

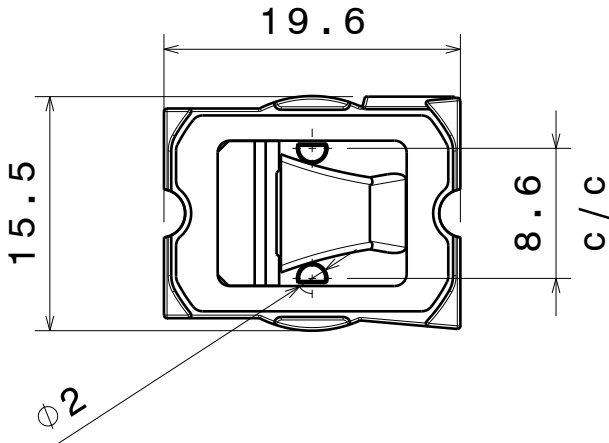


OPTICAL PROPERTIES

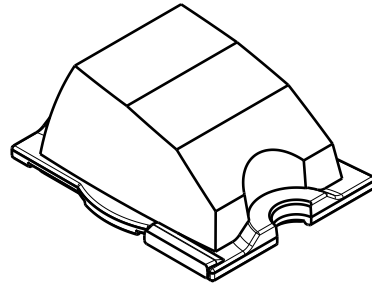
LED	Viewing Angle	Light Beam	Efficiency	cd/lm	Connector
XP-G2	sim: AsymmetriStreetligh...		sim: 87 %	0.500	-
XT-E	sim: AsymmetriStreetligh...		sim: 86 %	sim: 0.000	-

D C B A

4

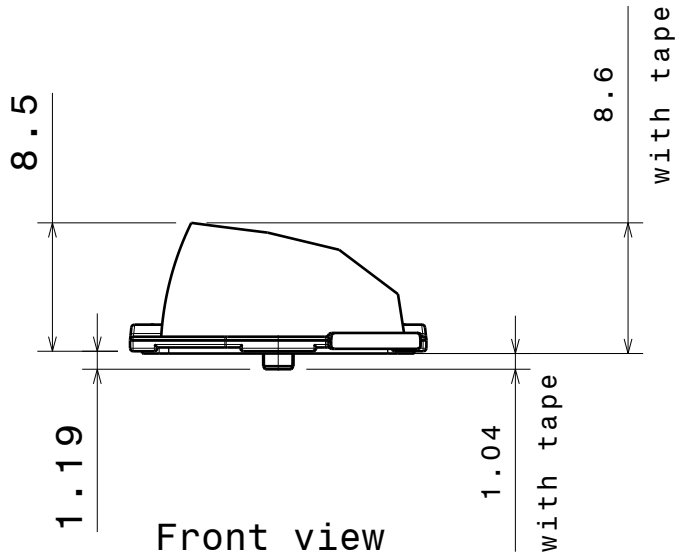


Bottom view



Isometric view

3



Front view

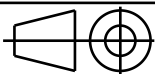
2

2

Tolerances if not otherwise shown
According to DIN ISO 2768-1
Linear measures:
Up to 30mm class M, otherwise class C.
According to DIN ISO 2768-2
Form and position: class L

LEDiL LediL Oy
Salorankatu 10
FIN 24240 SALO
Finland

THIRD ANGLE PROJECTION:



DRAWING TITLE

STRADA - T - DN

This drawing is the property of LEDiL Oy. It may not be reproduced, copied or communicated without a written agreement with LEDiL Oy."

SIZE	PART NUMBER
A4	-

SCALE	2:1	WEIGHT	-	SHEET	1/1
-------	-----	--------	---	-------	-----

1

1

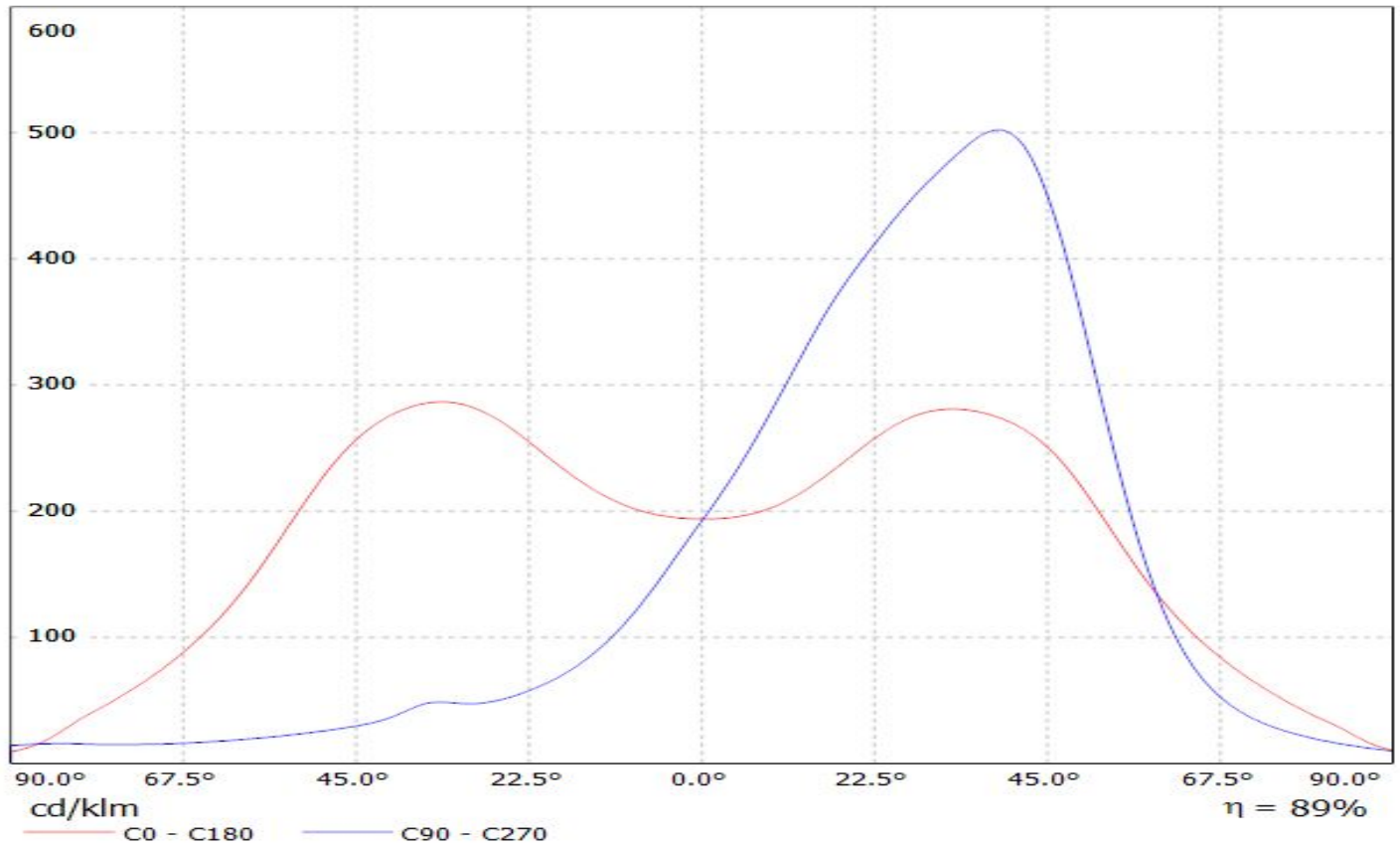
D

A

LEDiL Oy C13492/CA13493_STRADA-T-DN_(XP-G2) Eff.89.0% / LDC (Linear)

Luminaire: LEDiL Oy C13492/CA13493_STRADA-T-DN_(XP-G2) Eff.89.0%

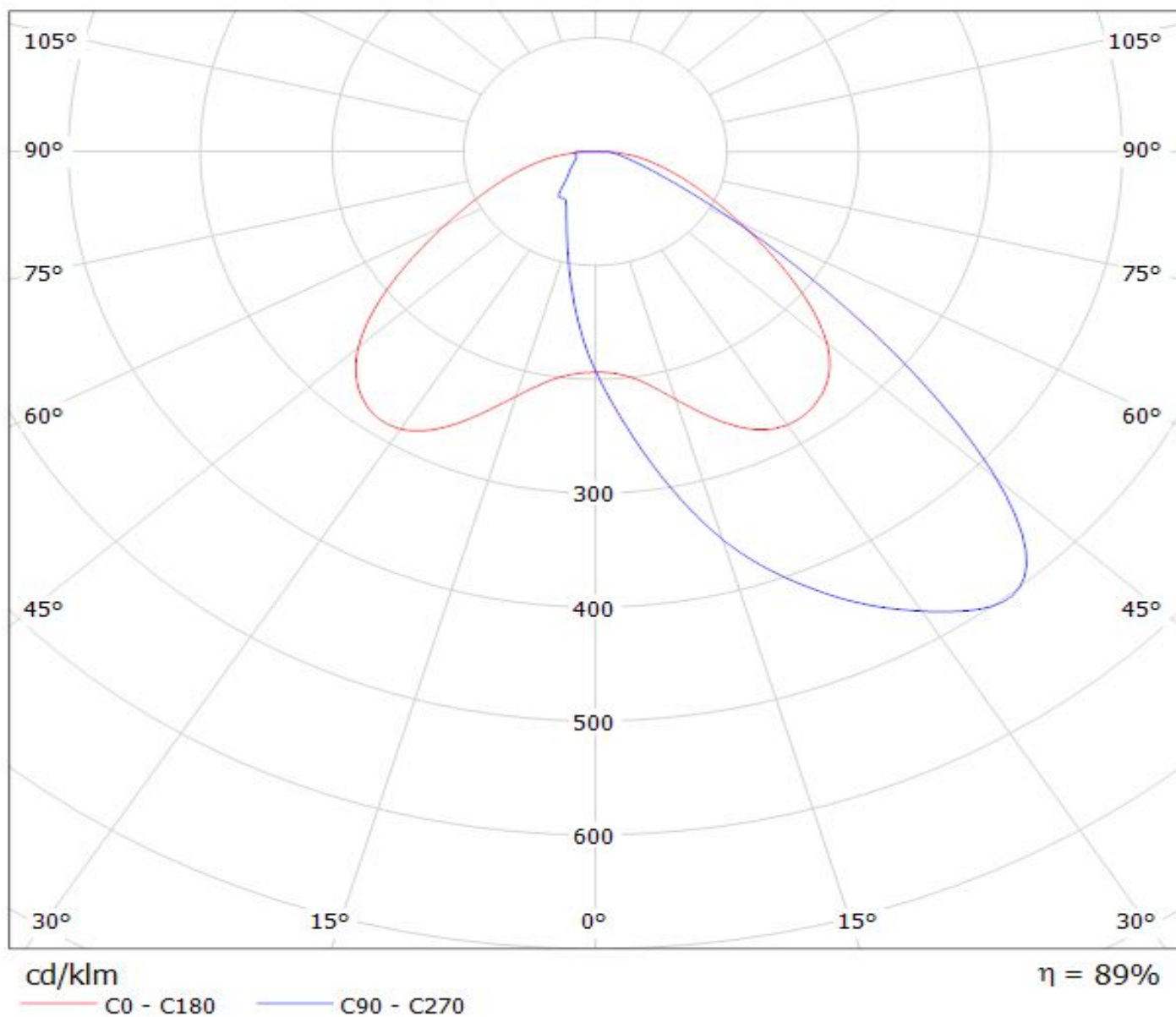
Lamps: 1 x CREE_XP-G2_103.642lm@250mA_CCT=6596K_P=0.762395W_I=249.9mA



LEDiL Oy C13492/CA13493_STRADA-T-DN_(XP-G2) Eff.89.0% / LDC (Polar)

Luminaire: LEDiL Oy C13492/CA13493_STRADA-T-DN_(XP-G2) Eff.89.0%

Lamps: 1 x CREE_XP-G2_103.642lm@250mA_CCT=6596K_P=0.762395W_I=249.9mA



NOTE: The typical divergence will be changed by different color, chip size and chip position tolerance. The typical total divergence is the full angle measured where the luminous intensity is half of the peak value.