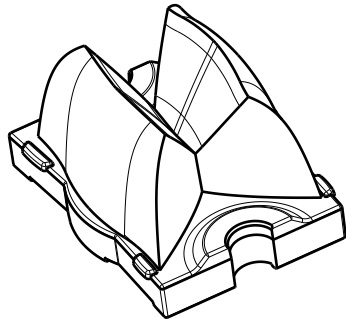


D

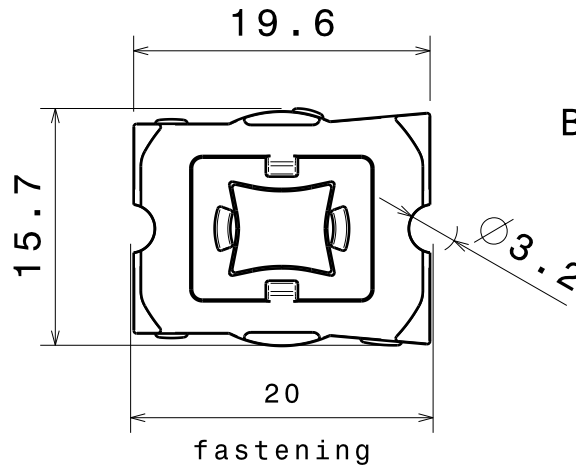
C

B

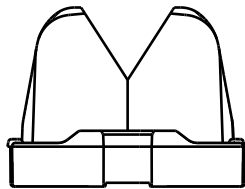
A



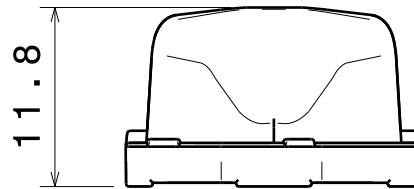
Isometric view



Bottom view



Right view



Front view

Material: PMMA

Part no. with tape:  
CA11179\_Strada-DW-XR-tape

This drawing is our property.  
It can't be reproduced  
or communicated without  
our written agreement.

Ledil Oy  
Tehdaskatu 13  
FIN-24100 SALO  
Finland

DRAWING TITLE

Datasheet Strada-DW-XR

DRAWN BY

pv

DATE

07.01.2010

CHECKED BY

tk

DATE

07.10.2009

SIZE

A4

DRAWING NUMBER

C10757

REV

1

DESIGNED BY

hh

DATE

07.10.2009

SCALE

2:1

WEIGHT (g)

SHEET

1/1

D

A

4

4

3

3

2

2

1

1

# Mouser Electronics

Authorized Distributor

Click to View Pricing, Inventory, Delivery & Lifecycle Information:

Ledil:

[CA11179\\_STRADA-DW](#)