

D

C

B

A

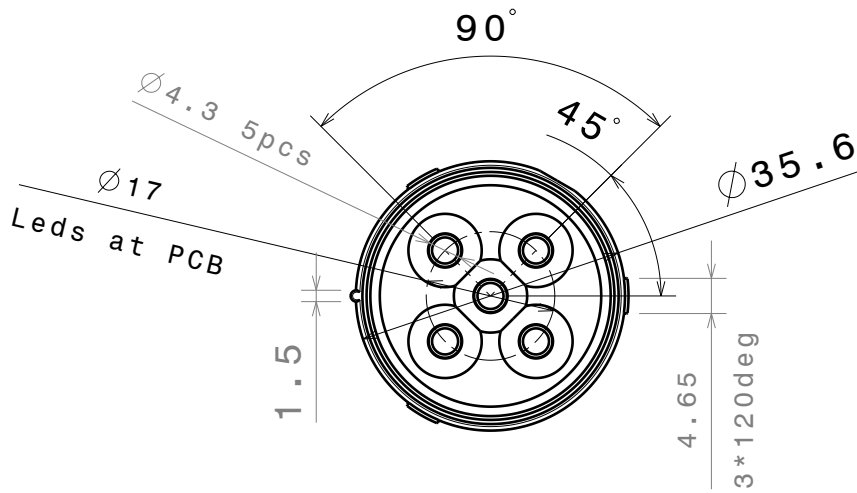
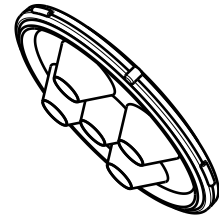
4

3

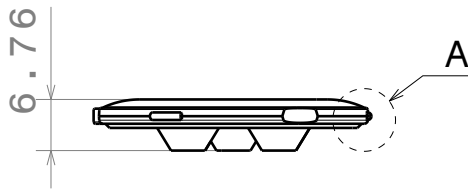
2

1

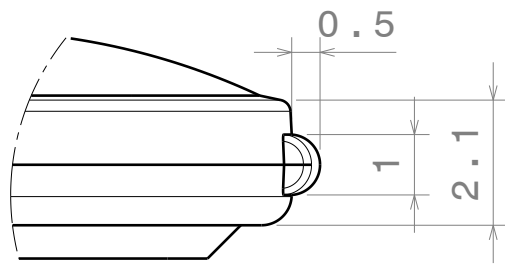
Isometric view



Bottom view

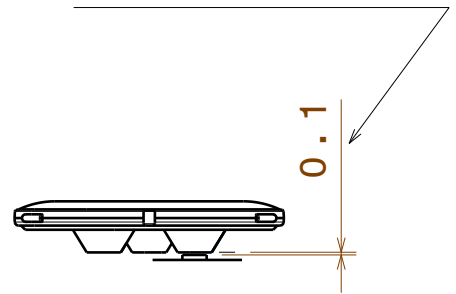


Front view



Detail A
Scale: 8:1

Distance Led Base to
LENS lowest point



Position from pcb

Material: PMMA

This drawing is our property.
It can't be reproduced
or communicated without
our written agreement.



L
T
F
F

e
e
i
i
N
n

d

1

DRAWING TITLE

Datasheet RER-5-M-Low Lens

DRAWN BY p v	DATE 26.11.2009
-----------------	--------------------

CHECKED BY T K	DATE 26.11.2009
-------------------	--------------------

DESIGNED BY HH	DATE 31.12.2007
-------------------	--------------------

SIZE A4	DRAWING NUMBER C10472	REV 1
------------	--------------------------	----------

SCALE 1:1	WEIGHT (g)	SHEET 1/1
--------------	------------	--------------

D

A