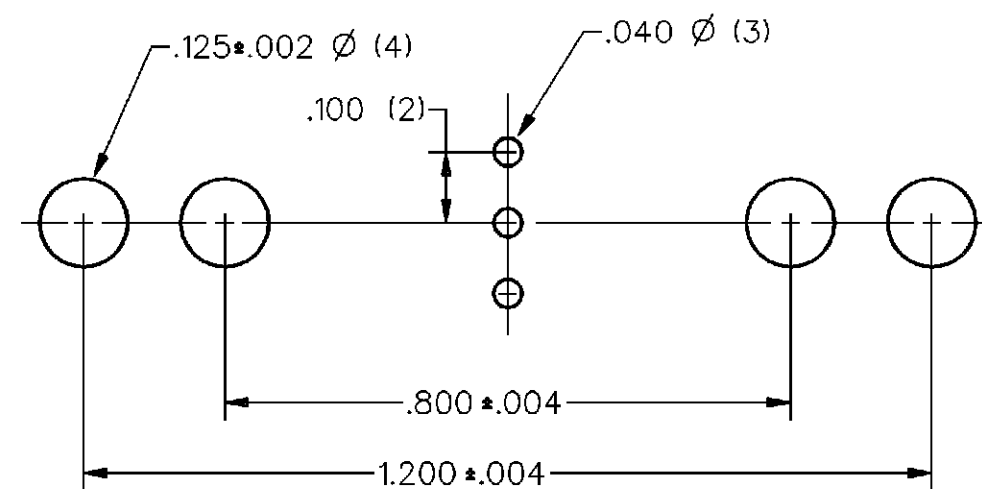
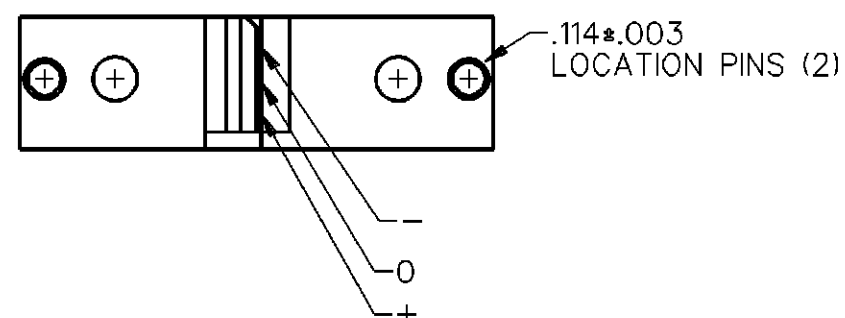
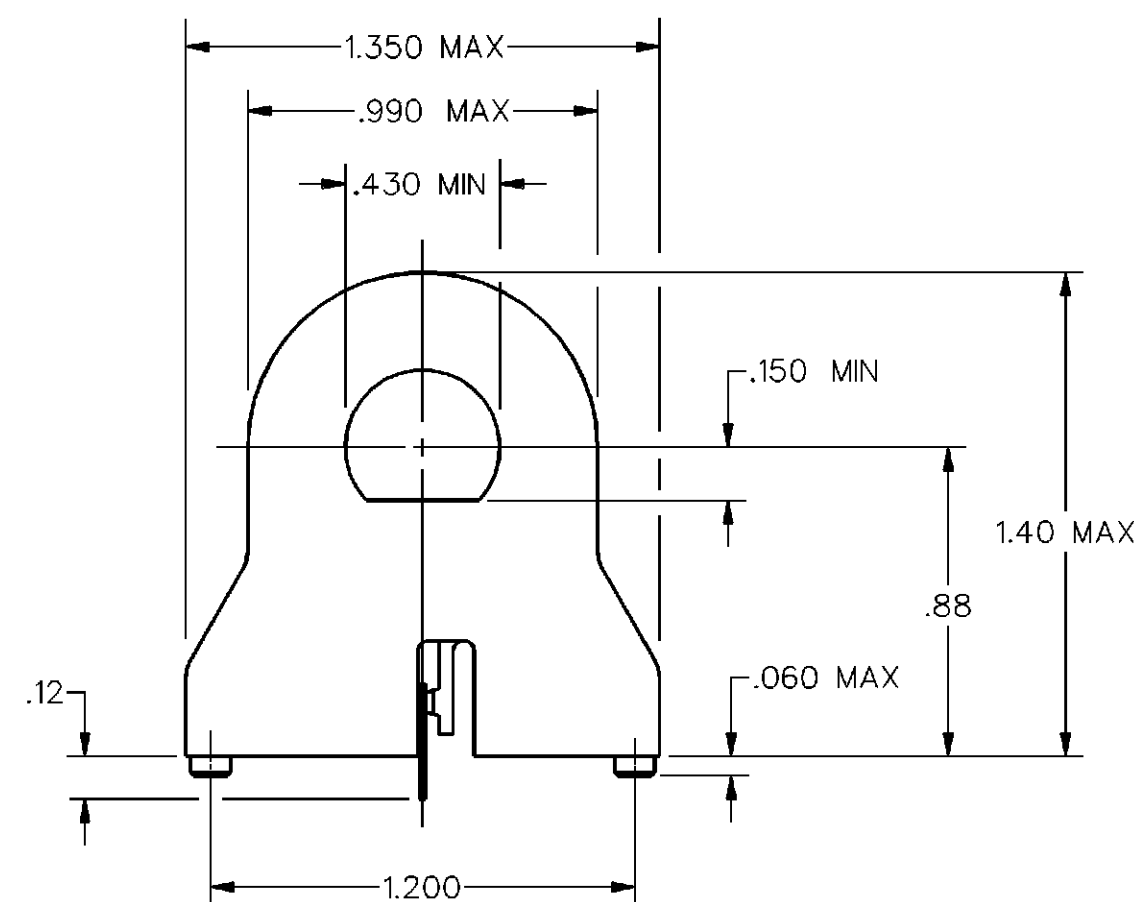
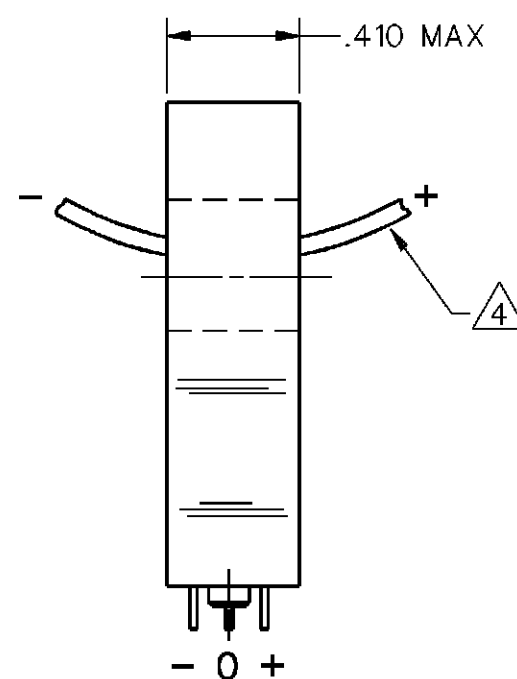
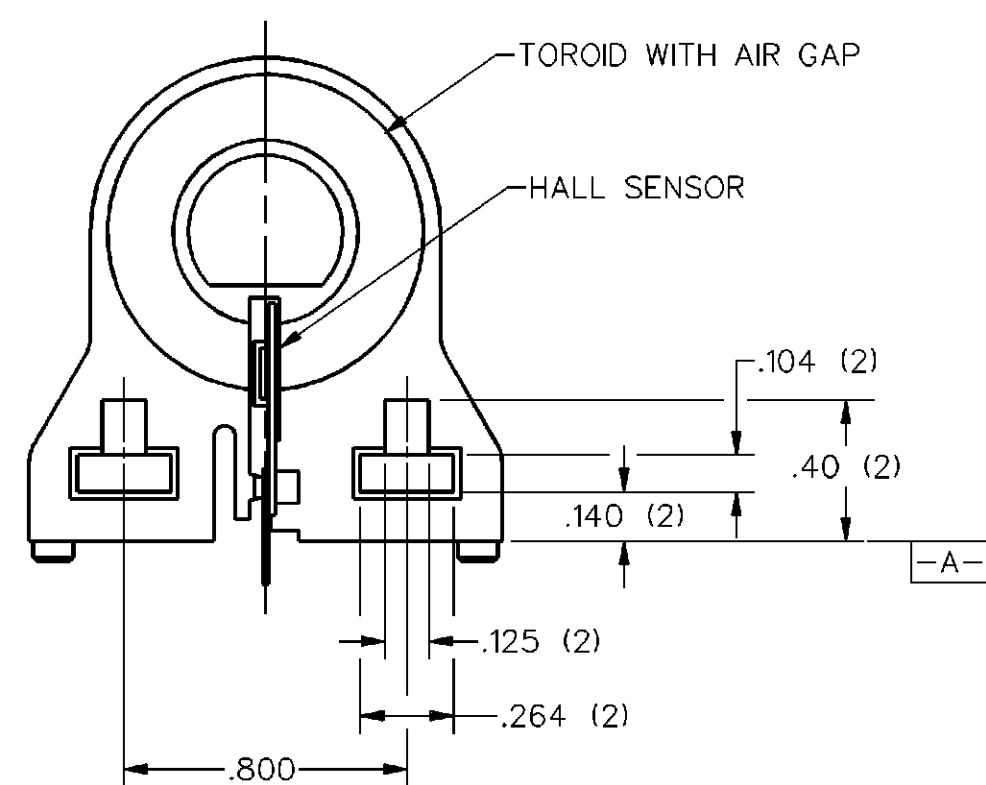


CHARACTERISTICS					
PARAMETER	MIN	TYP	MAX	UNITS	REMARKS
SUPPLY VOLTAGE	4.5		24	VOLTS	-25°C to 85°C
SUPPLY CURRENT		16	22	mA	
OUTPUT CURRENT			40	mA	
OUTPUT VOLTAGE		.25		VOLTS	SINKING 40 mA @ 25°C
TEMPERATURE	-25	25	85	°C	
SUPPLY TRANSIENT (V)	-40		80	VOLTS	250 ms DURATION
SUPPLY TRANSIENT (I)	-.5		.5	AMPS	15 micros DURATION
OPERATE CURRENT	46.54	54.12	61.70	NI	@ 25°C
RELEASE CURRENT	35.36			NI	@ 25°C



SUGGESTED HOLE CENTERS
SCALE 4:1



- NOTES
- 1 - AIR GAP IN TOROID IS .075
 - 2 - GAUSS LEVEL IN AIR GAP IS 6.0 TO 7.0 GAUSS PER NI
 - 3 - RECOMMENDED MOUNTING IS 4-40 SQUARE NUT AND .375 LONG 4-40 SCREW
CONVENTIONAL CURRENT FLOW IN DIRECTION INDICATED GREATER THAN THE OPERATE POINT WILL SWITCH THE OUTPUT TO THE LOW STATE



DRAWING NUMBER: CSD1FR
 ISSUE: 2
 RELEASE NO.: PR-15944
 REPLACES: X83054-CS
 CHECK: SAV 13 MAR 00
 CHECK: DLM 13 MAR 00
 DRAWN: DLM 13 MAR 00
 FORMTEK



MASTER REDUCED

THIS DRAWING COVERS A PROPRIETARY ITEM AND IS THE PROPERTY OF MICRO SWITCH, A DIVISION OF HONEYWELL. THIS DRAWING IS NOT TO BE COPIED OR USED WITHOUT THE APPROVAL OF MICRO SWITCH.

MICRO SWITCH
a Honeywell Division

CURRENT SENSOR

CATALOG LISTING
CSD1FR

FED. MFG. CODE 91929

THIRD ANGLE PROJECTION			
SCALE 2:1			
DO NOT SCALE PRINT			
UNLESS OTHERWISE SPECIFIED TOLERANCES ARE			
ONE PLACE	(.0)	±.030	
TWO PLACES	(.00)	±.015	
THREE PLACES	(.000)	±.005	
ANGLES		±	
WEIGHT			