

D

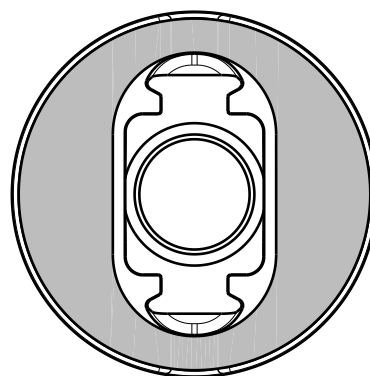
C

B

A

4

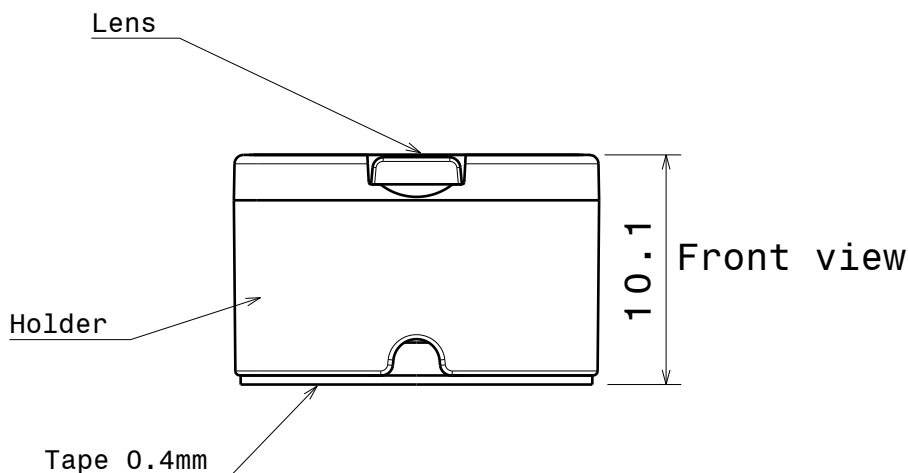
4



Bottom view

3

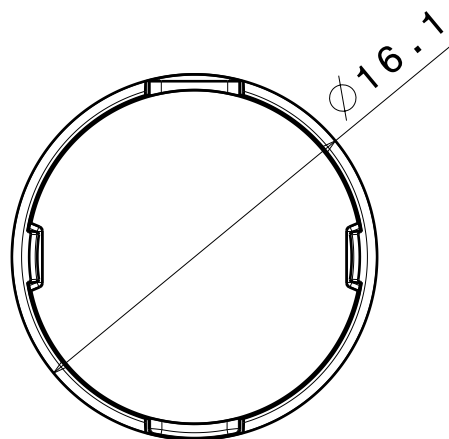
3



Front view

2

2



Top view

MATERIALS
 Lens: PMMA
 Holder: PC
 Tape: PU Foam

This drawing is our property.
 It can't be reproduced
 or communicated without
 our written agreement.



L
T
F
F

e
e
i
i
N
n

d
h

DRAWING TITLE

Datasheet Tina2-0-Plus Assy

DRAWN BY
m

DATE
29.04.2011

CHECKED BY
t k

DATE
29.04.2011

SIZE
A4

DRAWING NUMBER

REV
2

DESIGNED BY
HH

DATE
01.01.2011

SCALE

3:1

WEIGHT (g)

-

SHEET

1/1

D

A

1

1

Mouser Electronics

Authorized Distributor

Click to View Pricing, Inventory, Delivery & Lifecycle Information:

Ledil:

[CA11848_TINA2-M](#)