

DETAILS

Product Number	C14128_TATIANA-1X4-B
Family	Tatiana
Type	Lens
Color	clear
Diameter	102x25 mm
Height	7,7 mm
Style	rectang
Optic Material	PMMA
Holder Material	
Fastening	screw, pin, glue
Status	ready
ROHS Compliant	Yes
Date Updated	17/06/2015

OPTICAL PROPERTIES

LED	Viewing Angle	Light Beam	Efficiency	cd/lm	Connector
XM-L2	145+63 deg	Streetligh...	94 %	0.540	-



D

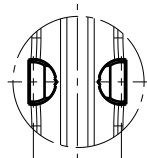
C

B

A

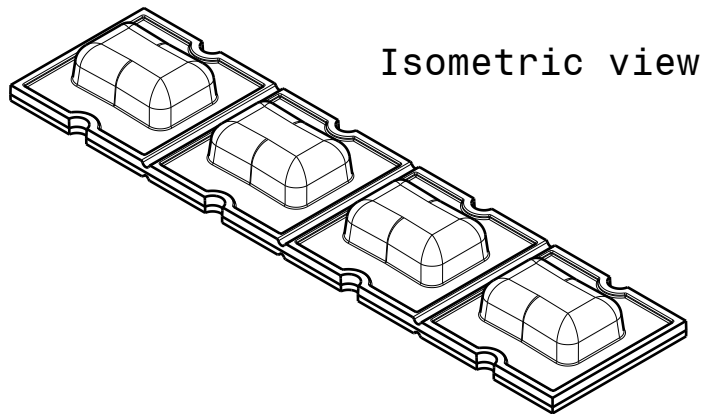
4

4



3.88

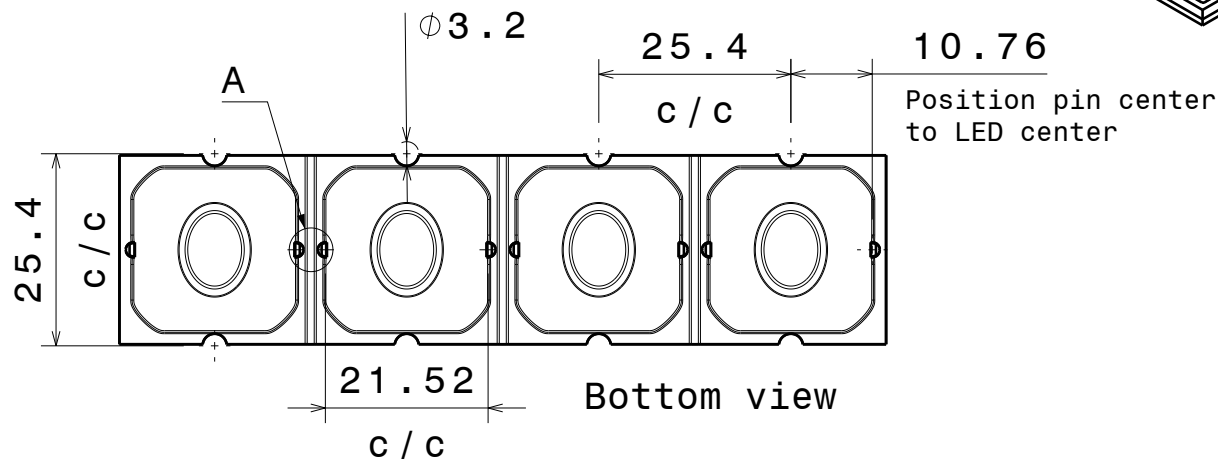
Detail A



Isometric view

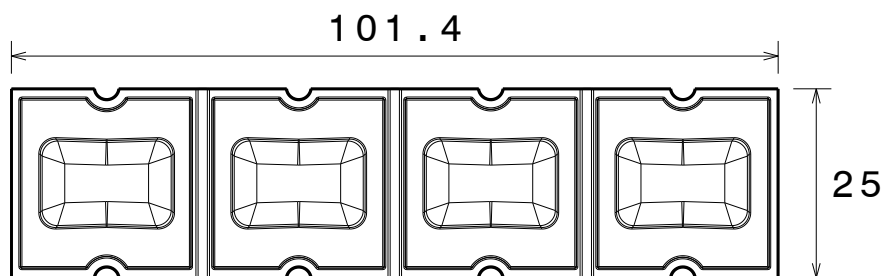
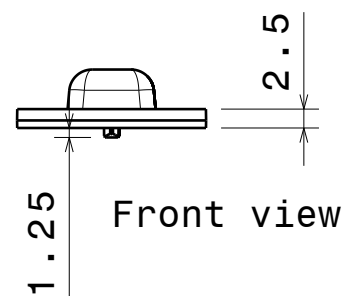
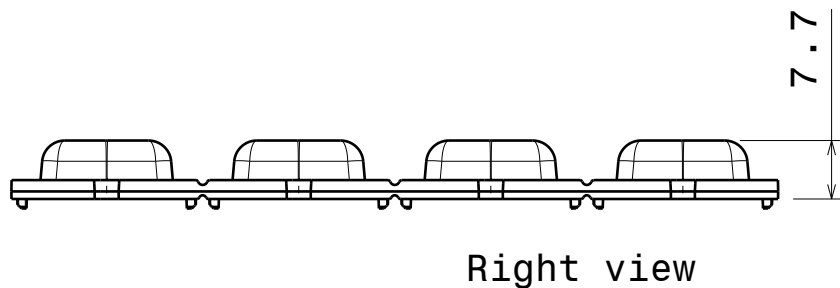
3

3



2

2



1

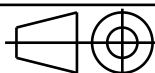
1

Tolerances if not otherwise shown
According to DIN ISO 2768-1
Linear measures:
Up to 30mm class M, otherwise class C.
According to DIN ISO 2768-2
Form and position: class L



Ledil Oy
Salorankatu 10
FIN 24240 SALO
Finland

THIRD ANGLE PROJECTION:



DRAWING TITLE

C14128_TATIANA-1X4-B

This drawing is the property
of LEDiL Oy. It may not be
reproduced, copied or
communicated without a written
agreement with LEDiL Oy."

SIZE

PART NUMBER

A4

C14128

SCALE

1:1

WEIGHT

-

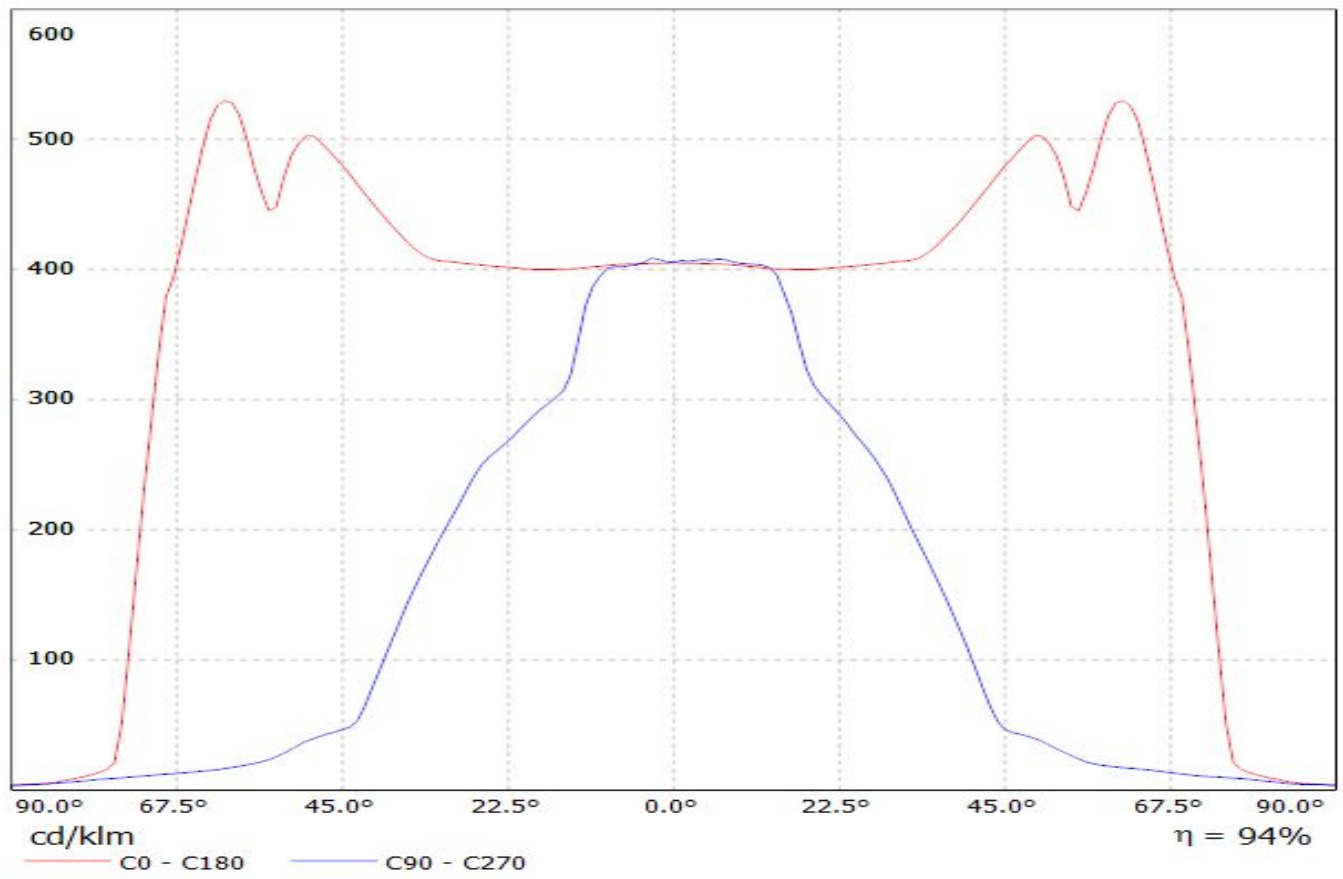
SHEET

1/1

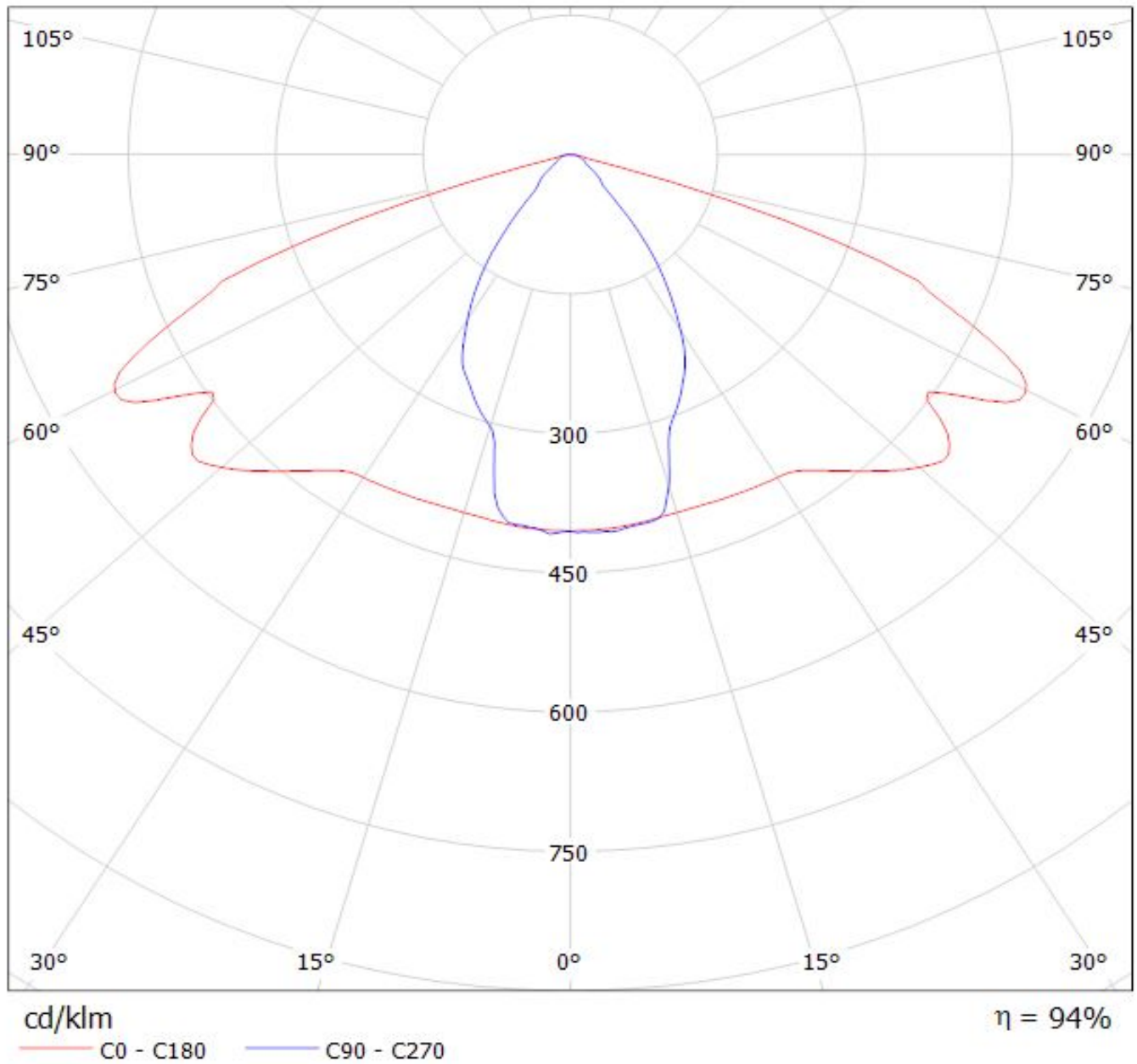
D

A

Luminaire: LEDiL Oy C14128_TATIANA-1X4-B_(XM-L2)
Lamps: 1 x XM-L2_(TATIANA)_357lm@250mA_P=2.84023W_I=249.8mA



Luminaire: LEDiL Oy C14128_TATIANA-1X4-B_(XM-L2)
Lamps: 1 x XM-L2_(TATIANA)_357lm@250mA_P=2.84023W_I=249.8mA



NOTE: The typical divergence will be changed by different color, chip size and chip position tolerance. The typical total divergence is the full angle measured where the luminous intensity is half of the peak value.