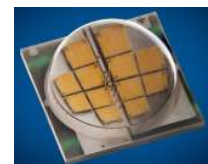


MINNIE REFLECTOR FOR CREE MT-G LED



- Special designcare taken to make a uniform visually pleasing illumination.
- Specially designed for Cree MT-G LED
- Reflector is made of aluminum coated PC (120°C/248F) with protective laquer (110°C/230F)

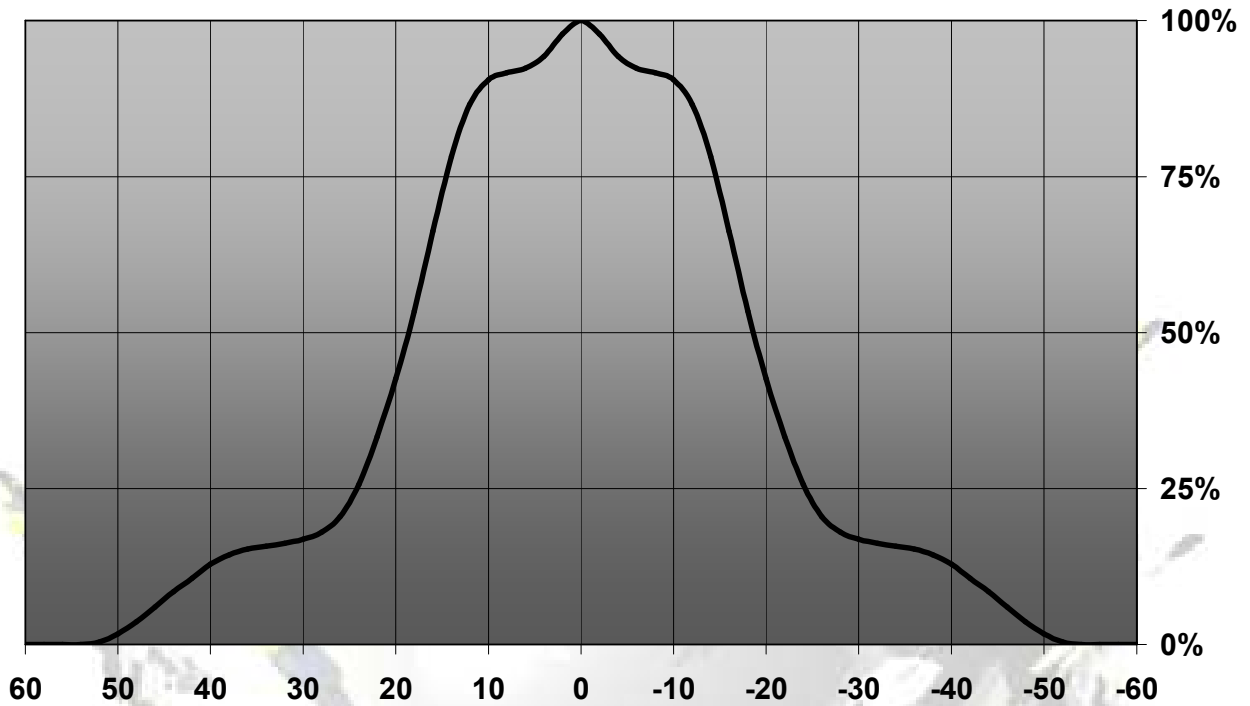
LENS TYPE

NAME	ORDERING CODE	FWHM Angle
Minnie reflector	C11862_Minnie-W-MTG	±18°

© Ledil Oy – PRELIMINARY - Subject to change without prior notice

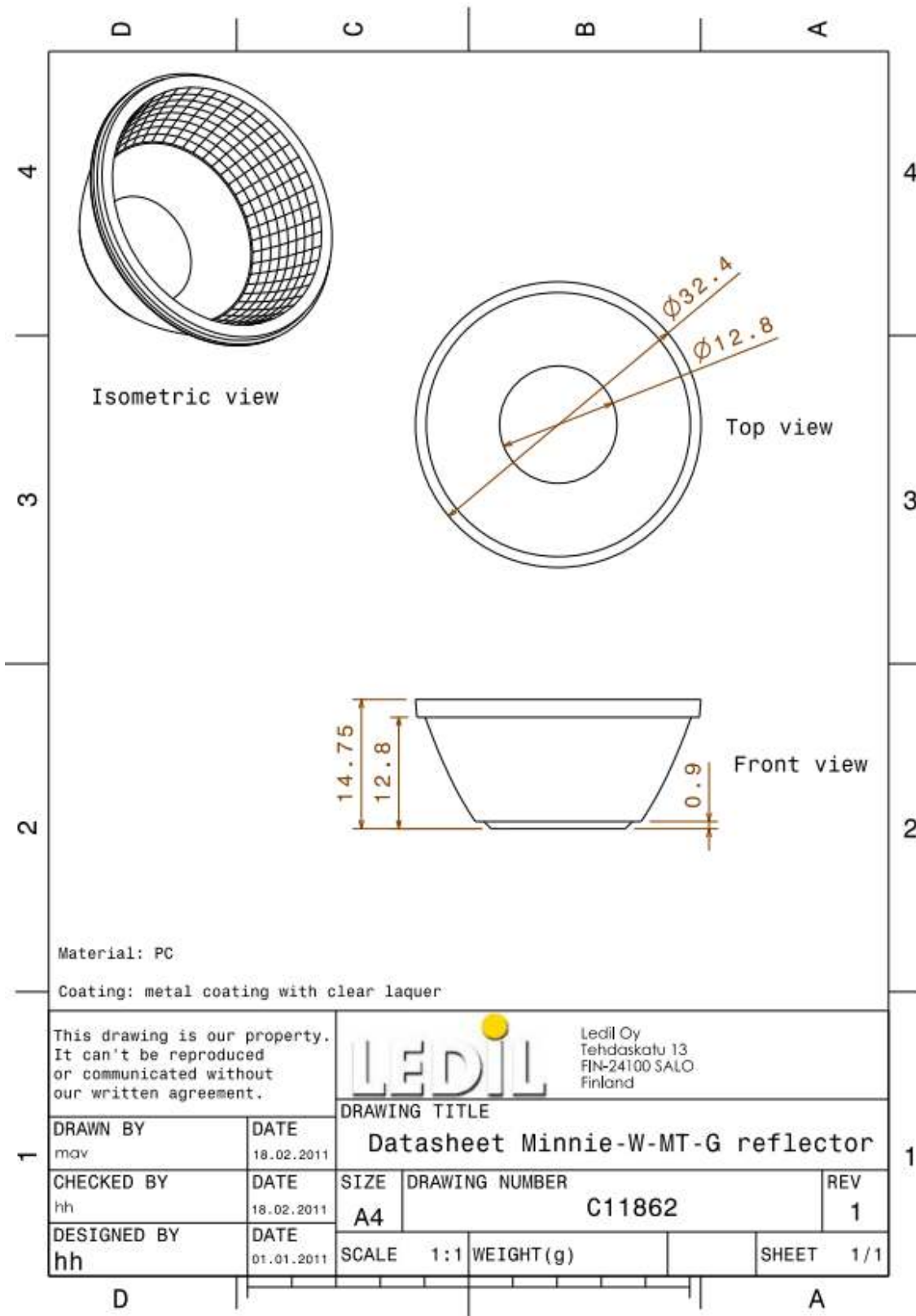
MEASUREMENTS

Relative intensity of C11862_Minnie-W-MX



© Ledil Oy – PRELIMINARY - Subject to change without prior notice

DRAWINGS



© Ledil Oy - PRELIMINARY - Subject to change without prior notice