

D C B A

4

3

2

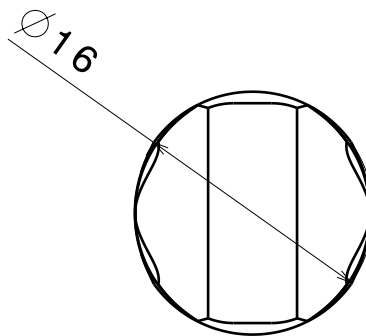
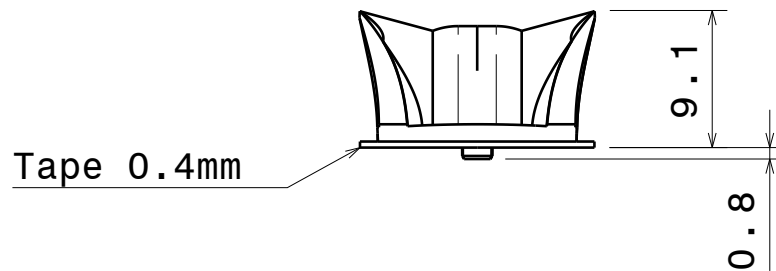
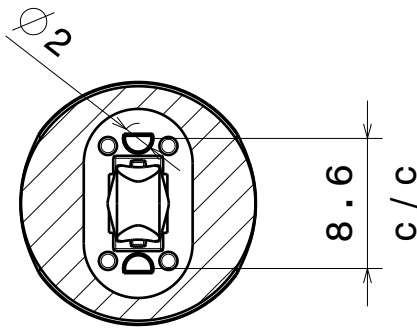
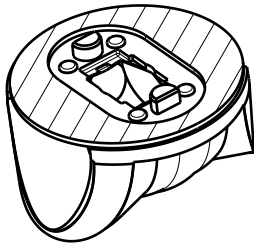
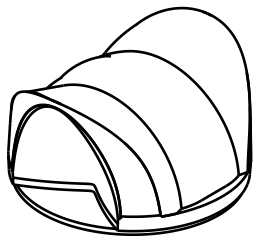
1

4

3

2

1



Material:
 Lens: PMMA
 Tape: PU Foam

Tolerances for dimensions:
 0-20mm tolerance value +/-0.1mm
 21-45mm tolerance value +/-0.2mm
 46-90mm tolerance value +/-0.3mm
 91-100mm tolerance value +/-0.4mm
 101-mm tolerance value +/-0.5mm

Note:
 Must use external positioning
 over light source.

This drawing is our property.
 It can't be reproduced
 or communicated without
 our written agreement.



Ledil Oy
 Salorankatu 10
 FIN 24240 SALO
 Finland

DRAWING TITLE

Datasheet Flare-Mini-AD-PIN Assy

DRAWN BY pv	DATE 03.04.2012
----------------	--------------------

CHECKED BY pl	DATE 02.04.2012
------------------	--------------------

DESIGNED BY pl	DATE 27.02.2012
-------------------	--------------------

SIZE A4	DRAWING NUMBER CA13058	REV 002
------------	---------------------------	------------

SCALE 2:1	WEIGHT (g)	SHEET 1/1
--------------	------------	--------------

D

A